



Agastat Relays / TE Connectivity

1-1825042-0

Part Number:

1-1825042-0

Fabrikant / Brand:

Agastat Relays / TE Connectivity

Produkt beschreibung

SWITCH PUSHBUTTON 3PDT 6A 125V

Datebanken:

[1.1-1825042-0.pdf](#)
[2.1-1825042-0.pdf](#)

RoHS Status

Bleif gratis / RoHS kompatibel

Ship From

Hong Kong

Shipment Way

DHL/Fedex/TNT/UPS/EMS

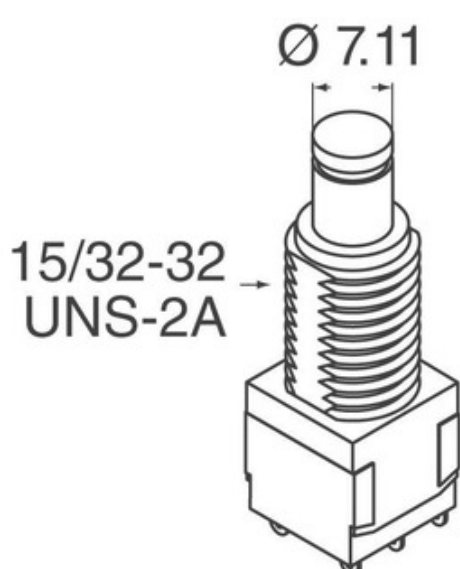


Bild kann Representatioun sinn. Kuckt Spezifikatioune fir Produktdetailer.

Spezifikatioune vun 1-1825042-0

PART NUMBER	1-1825042-0
HIERSTELLER	Agastat Relays / TE Connectivity
BESCHREIWUNG	SWITCH PUSHBUTTON 3PDT 6A 125V
BLEIF FREE STATUS / ROHS STATUS	Bleif gratis / RoHS kompatibel
DATENLABEL	1.1-1825042-0.pdf 2.1-1825042-0.pdf
VOLTAGE RATING - DC	28V
VOLTAGE RATING - AC	125V
TYP	Standard
TERMINATIOUNSTIL	Solder Lug
SCHALTERFUNKTIOUN	On-Mom
SERIE	MPG
PANEL CUTOUT DIMENSIONS	Circular - 11.80mm Dia
VERPAKUNG	Bulk
ANER NAMES	1-1825042-0-ND 450-1514 MPG306F04
OPERATIOUN TEMPERATUR	-20°C ~ 80°C
MOUNTING TYPE	Panel Mount, Rear
FEUCHTIGKEIT SENSIBILITÉITNIVEAU (MSL)	1 (Unlimited)
MECHANESCH LIFE	-
BLEIF FREE STATUS / ROHS STATUS	Lead free / RoHS Compliant
INGRESS PROTECTION	-
ILLUMINATIOUN VOLTAGE (NOMINAL)	-
ILLUMINATIOUNSTYP, FAARF	-
EEGESCHAFTEN	-
ELEKTRESCH LIFE	50,000 Cycles
DETAILBESCHREIWUNG	Pushbutton Switch 3PDT Standard Panel Mount, Rear
DER AKTUELLER RATING	6A (AC), 4A (DC)
FAARF - AKTUATOR / CAP	Black
CIRCUIT	3PDT
AKTUATOR TYPE	Round, Button

Verbonnen Tags

Agastat Relays / TE Connectivity 1-1825042-0	1-1825042-0 Distributeur	1-1825042-0 Ubidder
1-1825042-0 Präis	1-1825042-0 Fotoen	1-1825042-0 Bild
1-1825042-0 PDF Dateblatt	1-1825042-0 Luet Dateblatt	1-1825042-0 Dateblatt
1-1825042-0 Stock	Kaaft 1-1825042-0	Kaaft Agastat Relays / TE Connectivity 1-1825042-0
Agastat Relays / TE Connectivity 1-1825042-0	Agastat Relays / TE Connectivity Ubidder	Agastat Relays / TE Connectivity Distributeur
Agastat Relays / TE Connectivity 1-1825042-0	Axicom Relays / TE Connectivity 1-1825042-0	Buchanan Terminal Blocks / TE Connectivity 1-1825042-0
CGS Resistors / TE Connectivity 1-1825042-0	CII / TE Connectivity 1-1825042-0	Elcon Connectors / TE Connectivity 1-1825042-0
Holsworthy Resistors / TE Connectivity 1-1825042-0	Kilovac Relays / TE Connectivity 1-1825042-0	Neohm Resistors / TE Connectivity 1-1825042-0
OEG Relays / TE Connectivity 1-1825042-0	Products Unlimited Transformers & Relays / TE Conn 1-1825042-0	Q-Cee's / TE Connectivity 1-1825042-0
Schrack Relays / TE Connectivity 1-1825042-0	Sigma Inductors / TE Connectivity 1-1825042-0	TE Connectivity's Agastat Relays 1-1825042-0
TE Connectivity's Axicom Relays 1-1825042-0	TE Connectivity's Buchanan Terminal Blocks 1-1825042-0	TE Connectivity's CGS Resistors 1-1825042-0
TE Connectivity's CII 1-1825042-0	TE Connectivity's Elcon Connectors 1-1825042-0	TE Connectivity's Holsworthy Resistors 1-1825042-0
TE Connectivity's Neohm Resistors 1-1825042-0	TE Connectivity's OEG Relays 1-1825042-0	TE Connectivity's Q-Cee's 1-1825042-0
TE Connectivity's Schrack Relays 1-1825042-0	TE Connectivity's Sigma Inductors 1-1825042-0	TE Connectivity's Products Unlimited Transformers 1-1825042-0
TE Connectivity's Kilovac Relays 1-1825042-0		

Verbonnen Produkter

<p>1-1825033-6 Produzenteuren: Agastat Relays / TE Connectivity Beschreiwung: SW ROTARY DIP HEX COMP 0.4VA 20V Op Lager: Out stock</p> <p>RFQ</p>	<p>1-1825040-2 Produzenteuren: Agastat Relays / TE Connectivity Beschreiwung: SWITCH PUSHBUTTON 4PDT 6A 125V Op Lager: Out stock</p> <p>RFQ</p>
<p>1-1825040-1 Produzenteuren: Agastat Relays / TE Connectivity Beschreiwung: SWITCH PUSHBUTTON 4PDT 6A 125V Op Lager: Out stock</p> <p>RFQ</p>	<p>1-1825027-7 Produzenteuren: Agastat Relays / TE Connectivity Beschreiwung: SWITCH TACTILE SPST-NO 0.05A 24V Op Lager: Out stock</p> <p>RFQ</p>
<p>1-1825059-2 Produzenteuren: Agastat Relays / TE Connectivity Beschreiwung: SWITCH SLIDE DIP SPST 100MA 24V Op Lager: Out stock</p> <p>RFQ</p>	<p>1-1825040-0 Produzenteuren: Agastat Relays / TE Connectivity Beschreiwung: SWITCH PUSHBUTTON 3PDT 6A 125V Op Lager: Out stock</p> <p>RFQ</p>
<p>1-1825058-3 Produzenteuren: Agastat Relays / TE Connectivity Beschreiwung: SWITCH SLIDE DIP SPST 100MA 24V Op Lager: Out stock</p> <p>RFQ</p>	<p>1-1825058-9 Produzenteuren: Agastat Relays / TE Connectivity Beschreiwung: SWITCH SLIDE DIP SPST 100MA 24V Op Lager: Out stock</p> <p>RFQ</p>
<p>1-1825042-2 Produzenteuren: Agastat Relays / TE Connectivity Beschreiwung: SWITCH PUSHBUTTON 4PDT 6A 125V Op Lager: Out stock</p> <p>RFQ</p>	<p>1-1825058-0 Produzenteuren: Agastat Relays / TE Connectivity Beschreiwung: SWITCH SLIDE DIP SPST 100MA 24V Op Lager: Out stock</p> <p>RFQ</p>

**1-1825042-1**

Produzenten: Agastat Relays / TE Connectivity
Beschreibung: SWITCH PUSHBUTTON 4PDT 6A 125V
Op Lager: Out stock

[RFQ](#)**1-1825033-1**

Produzenten: Agastat Relays / TE Connectivity
Beschreibung: SWITCH ROTARY DIP HEX 0.40VA 20V
Op Lager: Out stock

[RFQ](#)

Copyright © 2020 Zouverlässig Distributeur vun Elektronische Komponenten - Ocean-Components.com

E-Mail: Info@Ocean-Components.com

Adress: Room 2102, Connaught Commercial Building, 185 Wan Chai Rd, Wan Chai, Hong Kong

