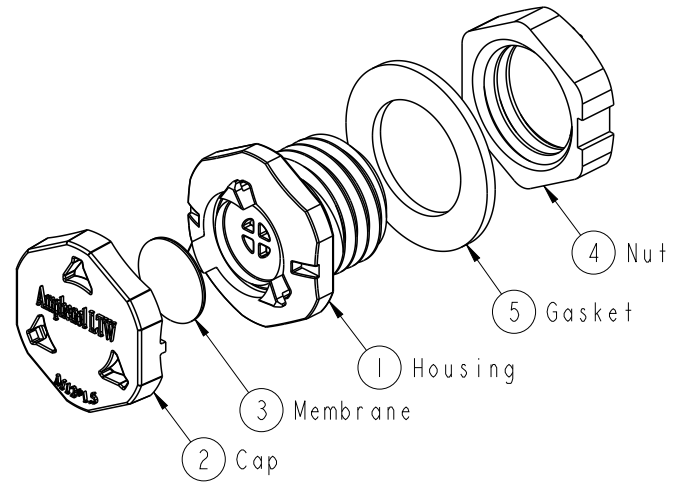
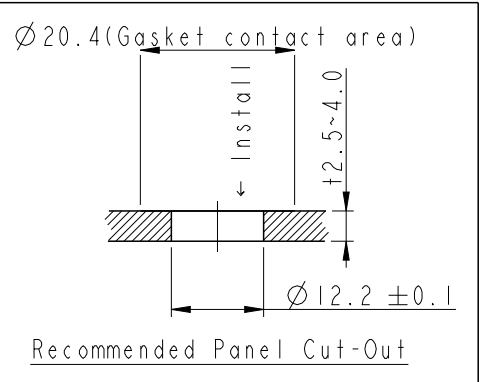
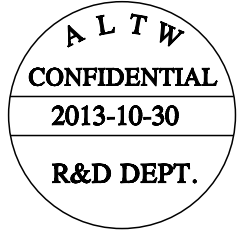
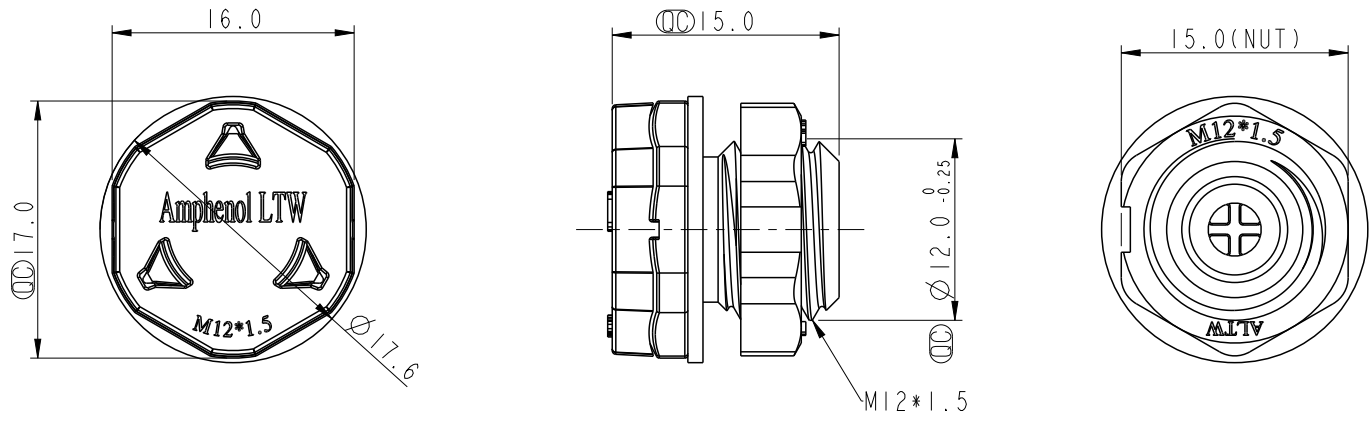


| | | | | |
|------|------------|------------|-------|-------------|
| REV. | ECN NO. | DATE | SIGN | DESCRIPTION |
| B | LE313B0348 | 2013/11/22 | Kelly | Change Note |



- Note:**
- * \varnothing Important Dimension.
 - * Waterproof Rate: IP68, IP69K
 - * Housing: M-PPE, UV Resistance, Black
 - * Cap: M-PPE, UV Resistance, Black
 - * Membrane: PTFE
 - * Nut: M-PPE, UV Resistance, Black
 - * Gasket: Silicone, Gray
 - * Panel Thickness: 2.5~4.0mm
 - * Air Permeability: >260ml/min @70mbar
 - * Water Entry Pressure: >60KPa

| | | |
|-----------|----------|--|
| UNIT: mm | | |
| TOLERANCE | .X ±0.25 | |
| .XX | ±0.1 | |
| .XXX | ±0.05 | |
| ANGLES | ±1° | |

| | | | |
|-----------------------|----------------|---------------------------------|--|
| TITLE M12*1.5 Vent | | | |
| SCALE 2:1 | SIZE A4 | SHEET 1 OF 1 | |
| REV. B | WC-REV. B.1 | \varnothing : Inspection item | |

Amphenol LTW
安費諾亮泰企業股份有限公司

| | | |
|------------------------|---------------------------|--------------------|
| ITEM NO. VENT-BJ002 | DRAWN BY Kelly-gaotong | DATE 2013-10-30 |
| DWG NO. VENT-BJ002 | CHECKED BY Tony | DATE 2013-10-30 |
| CUSTOMER ALTW | APPROVED BY Victor | DATE 2013-10-30 |

THIS DOCUMENT IS SUBJECT TO CHANGE WITHOUT NOTICE. IT IS CONFIDENTIAL AND A PROPERTY OF AMPHENOL LTW. DISCLOSURE TO THIRD PARTY HAS TO BE AUTHORIZED BY AMPHENOL LTW.