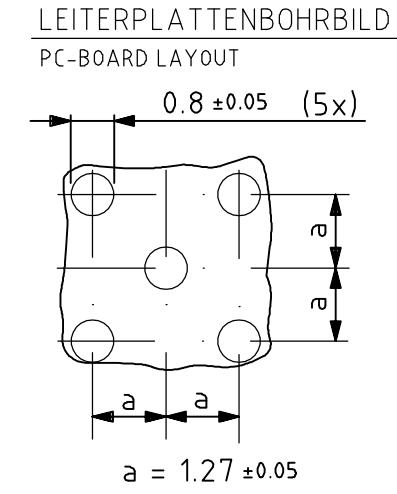
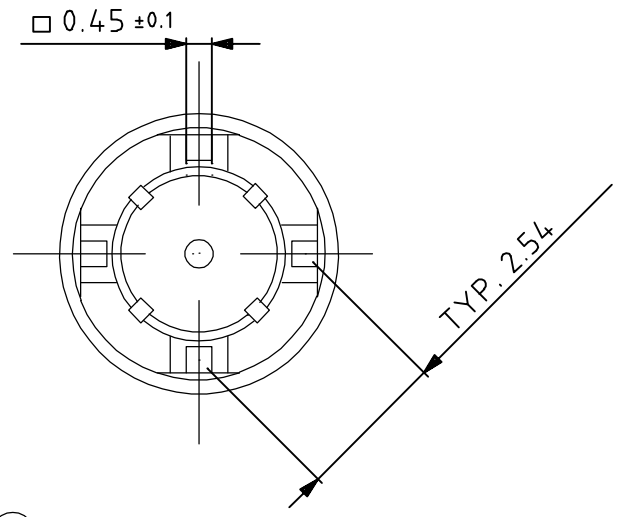
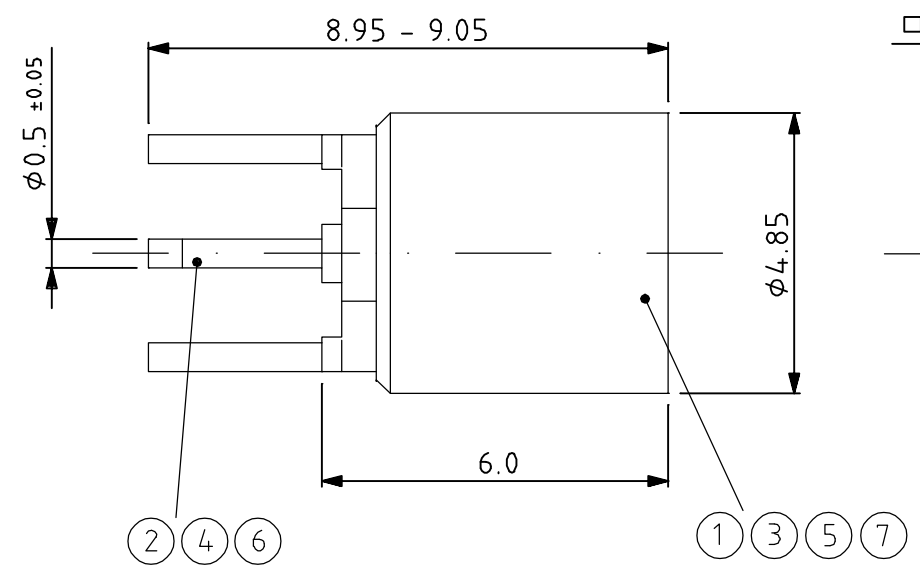


THIS DRAWING IS UNPUBLISHED. RELEASED FOR PUBLICATION
 © COPYRIGHT - BY TYCO ELECTRONICS CORPORATION. ALL RIGHTS RESERVED.

LOC	DIST	REVISIONS					
EK	00	P	LTR	DESCRIPTION	DATE	DWN	APVD
		G		REVISED PER EC OS14-0457-04	03NOV05	TS	JL



- 1 KOAX STECKVERBINDER NACH CECC 22220
COAX CONNECTOR COMPLIES WITH SPEC. CECC 22220
- 2 KOAX - KUPPLER (POS. 1,3,5,7) MONTIERT
MIT BUCHSENKONTAKT (POS. 2,4,6)
IM PLASTIKBEUTEL VERPACKT
- 3 VERGOLDET 112-162-5; 1.3µm MIN DICKE ÜBER
Ni 112-25-2; 2.0µm MIN - 4.0µm MAX DICKE

- 4 VERGOLDET 112-162-5; 0.8µm MIN DICKE ÜBER
Ni 112-25-2; 2.0µm MIN - 4.0µm MAX DICKE
- 5 GLANZZINN NACH AMP SPEZ.112-26-1;NOM. 8µm
DICK ÜBER NICKEL NACH AMP SPEZ.112-25-2;
2.0µm MIN.-4.0µm MAX. DICKE.
- 6 BUCHSENKONTAKT : MATERIAL Cu Be / PHOSPHORBRONCE
FEMALE CONTACT : MATERIAL Cu Be / PHOSPHORBRONCE

- 7 VERGOLDET 0.1-0.2µm DICKE ÜBER
NOM. 4.0µm Ni P DICKE

OBSOLETE	829559-4	6	1	BUCHSENKONT./FEMALE CONTACT	6	4
				KUPPLER/JACK	Cu Zn	7
	829559-3	6	1	BUCHSENKONT./FEMALE CONTACT	6	4
		5	1	KUPPLER/JACK	Cu Zn	5
	829559-2	4	1	BUCHSENKONT./FEMALE CONTACT	6	7
		3	1	KUPPLER/JACK	Cu Zn	7
	829559-1	2	1	BUCHSENKONT./FEMALE CONTACT	6	3
		1	1	KUPPLER/JACK	Cu Zn	4
BESTELL-NR. PART-NO.	POS. ITEM-NO.	STÜCK PIECES	BENENNUNG EINZELTEIL DESCRIPTION		WERKSTOFF MATERIAL	OBERFLÄCHE PLATING FARBE/COLOUR

THIS DRAWING IS A CONTROLLED DOCUMENT.		DWN	09JAN90		tyco Electronics	Tyco Electronics Corporation Harrisburg, PA 17105-3608	
DIMENSIONS: mm		CHK	-			NAME	
TOLERANCES UNLESS OTHERWISE SPECIFIED:		APVD	09JAN90		SERIES MCX, JACK FOR PCB (PITCH 2.54 mm)		
0 PLC ± -		PRODUCT SPEC	-		SIZE	CAGE CODE	DRAWING NO
1 PLC ± -		APPLICATION SPEC	-		A3	00779	G-829559
2 PLC ± 0.15		WEIGHT	-		RESTRICTED TO		
3 PLC ± -		CUSTOMER DRAWING		SCALE	SHEET		REV
4 PLC ± -				10:1	1 of 1		G
ANGLES ± 1'							
FINISH							
SEE TABLE							