



### FEATURES

- ▶ 0.45", 3½ digit high contrast LCD
- ▶ Optional positive green backlight
- ▶ User-selectable decimal points
- ▶ Polycarbonate case
- ▶ Optional bezel mount

### SPECIFICATIONS

#### DISPLAY

Numerical Size: .45" (11.43 mm)  
 Overrange: three lower order digits blank for inputs >1999 & < -1999  
 Polarity Indication: automatic (-) for negative  
 Supply Voltage: +5 VDC @2mA (10mA with backlight option)

#### INPUTS

Input Ranges: ±200 mVdc, ± 2Vdc, ±20Vdc, ±200Vdc  
 Input Impedance: 1000 MΩ (200 mV)  
 1 MΩ (other ranges)  
 Common Mode Range: ± 1 Vdc

#### PERFORMANCE

Accuracy: ±1% F.S. ± 2 counts  
 Sampling Rate: 3 per second

#### ENVIRONMENT

Operating Temperature: 0 to 50 °C  
 Max Humidity: 95% (non-condensing)

#### CONNECTION

12 pin

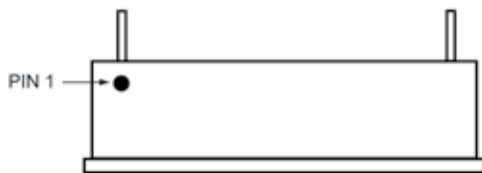
### ORDERING INFO

PART NUMBER	BACKLIGHT	METER INPUT
DLA-300LCD	NONE	±200mV
DLA-300LCD-L	5V POSITIVE GREEN	±200mV
DLA-301LCD	NONE	±2V
DLA-301LCD-L	5V POSITIVE GREEN	±2V
DLA-302LCD	NONE	±20V
DLA-302LCD-L	5V POSITIVE GREEN	±20V
DLA-303LCD	NONE	±200V
DLA-303LCD-L	5V POSITIVE GREEN	±200V

#### ACCESSORIES

DLA-BEZ	Bezel Assembly
PW2-5	Regulated 120V AC to 5V DC Power Supply
CVC	Calibrator

### WIRING

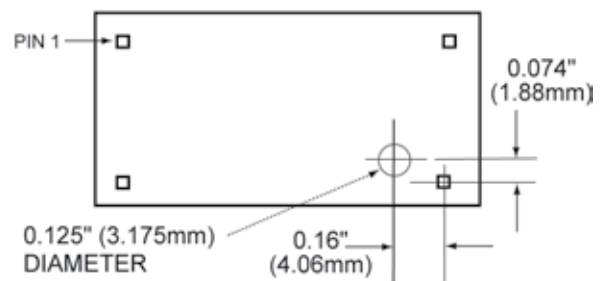


FRONT VIEW



Pin Dimensions: 0.025" (0.626 mm) x 0.025" (0.626 mm)

FRONT VIEW  
CALIBRATION POTENTIOMETER HOLE LOCATION



To enable DPs (Pin 4-6) connect to Pin 3 (5V return)

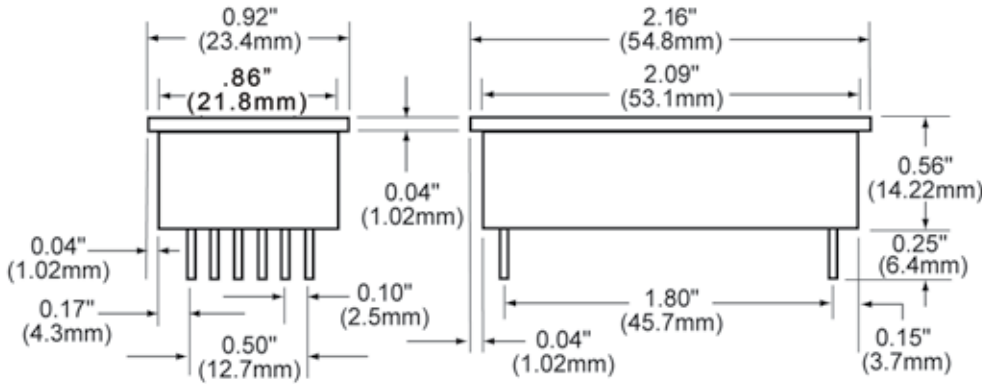
Pin 3 should be tied to Pin 12 for normal operation

Connect Pins 7 & 8

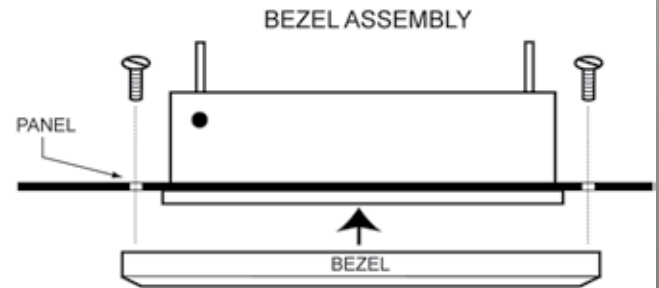
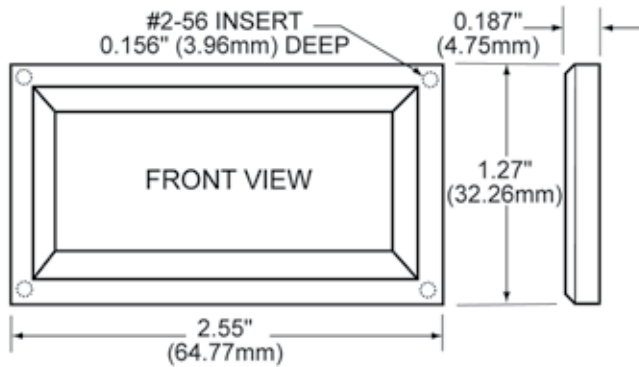
To enable optional backlight, connect Pin 2 to Pin 3



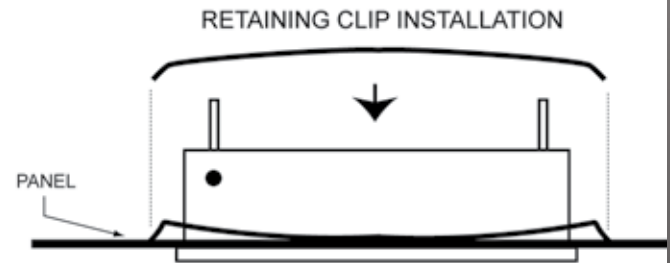
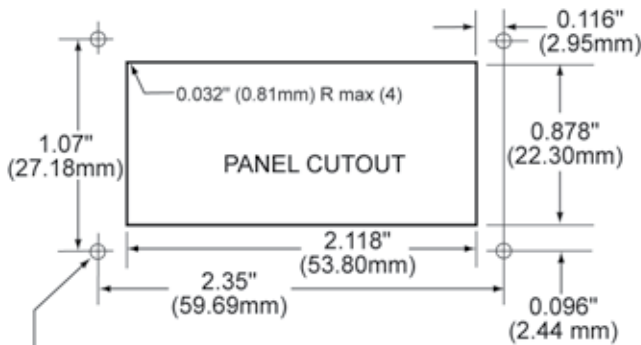
**DIMENSIONS**



**BEZEL ASSEMBLY**



**RECOMMENDED PANEL CUTOUT**



0.093 (2.362) DIAMETER (4 REQUIRED)  
 ONLY WHEN USING BEZEL ASSEMBLY