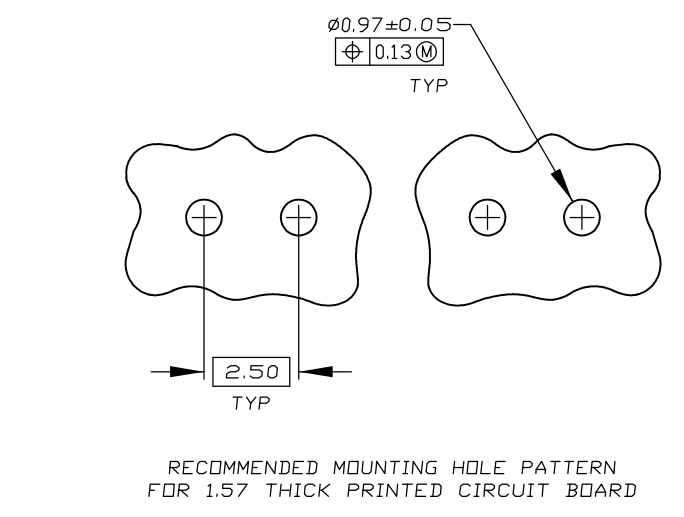
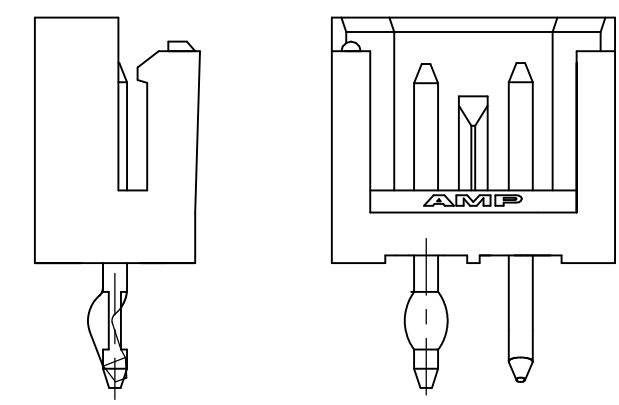
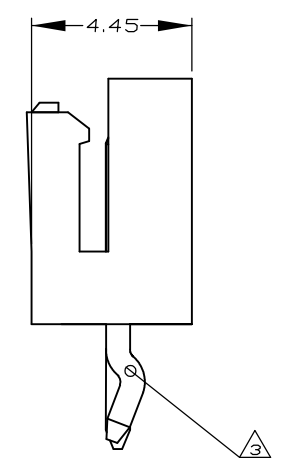
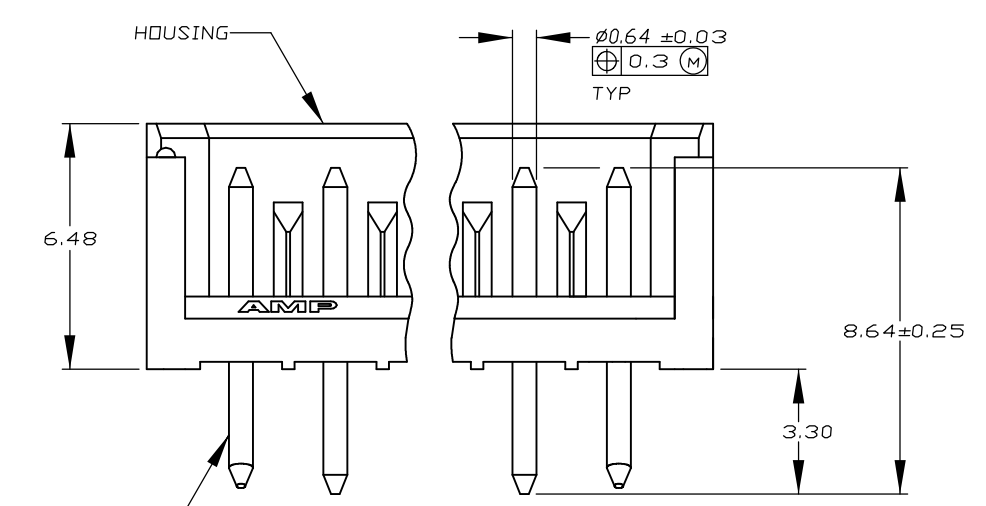
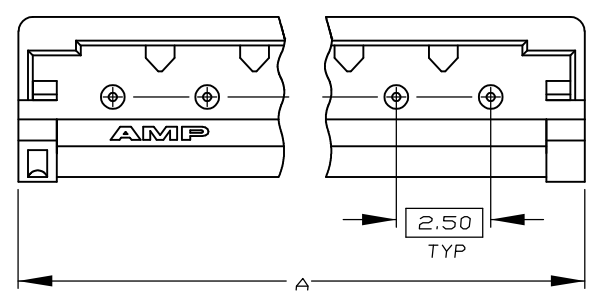


THIS DRAWING IS UNPUBLISHED. RELEASED FOR PUBLICATION
 © COPYRIGHT - By - ALL RIGHTS RESERVED.

LOC	DIST	REVISIONS					
ES	00	P	LTR	DESCRIPTION	DATE	DWN	APVD
NOTES:			F2	REVISED PER ECO-11-005033	28MAR11	RK	HMR



- 1 MATERIAL: HEADER: NYLON UL94V-0 (WHITE),
POST: BRASS, TIN OVER NICKEL OR GOLD OVER NICKEL
- 2. POST COMPLY WITH AMP SOLDERABILITY SPEC 109-11-2.
- 3 RETENTION DETAIL LOCATED ON END CIRCUITS ONLY
- 4 (2) CIRCUIT HEADER TO BE AS SHOWN IN FIGURE 1.

5 OBSOLETE PARTS: OBSOLETE CIS STREAMLINING PER D.RENAUD/D.SINISI

5 OBSOLETE	37.5	14	GOLD PLATED PIN	3-92008-4	TIN PLATED PIN	1-92008-4
	35	13		3-92008-3		1-92008-3
	32.5	12		3-92008-2		1-92008-2
	30	11		3-92008-1		1-92008-1
	27.5	10		3-92008-0		1-92008-0
	25	9		2-92008-9		92008-9
	22.5	8		2-92008-8		92008-8
	20	7		2-92008-7		92008-7
	17.5	6		2-92008-6		92008-6
	15	5		2-92008-5		92008-5
	12.5	4		2-92008-4		92008-4
	10	3		2-92008-3		92008-3
7.5	2	2-92008-2	92008-2			
A		NO OF CIRCUITS	PART NO		PART NO	

THIS DRAWING IS A CONTROLLED DOCUMENT.		DWN SARIATI 08SEP2003	TE Connectivity HEADER ASSEMBLY, ROUND PIN METRIC INTERCONNECT SYSTEM			
DIMENSIONS: mm		CHK MAGGIE				
TOLERANCES UNLESS OTHERWISE SPECIFIED:		APVD P de JONG	NAME			
0 PLC ± -		PRODUCT SPEC 108-51007	SIZE CAGE CODE DRAWING NO RESTRICTED TO			
1 PLC ± -		APPLICATION SPEC	A3 00779 C-92008			
2 PLC ± -		WEIGHT	SCALE 1:1 SHEET 1 OF 1 REV F2			
3 PLC ± -		CUSTOMER DRAWING				
4 PLC ± -						
ANGLES ± -						
FINISH						