

**80** mm sq.

# San Ace 80W



## General Specifications

- Material ..... Frame: Aluminum (Black coating),  
Impeller: Plastics (Flammability: UL94V-1)
- Expected Life ..... Refer to specifications (Indoor, L10: Survival rate: 90% at 60°C ,  
rated voltage, and continuously run in a free air state)
- Lead Wire ..... ⊕ red ⊖ black (Sensor) yellow (Control) brown
- Storage Temperature ..... -30°C to +70°C (Non-condensing)

**80×80×25**mm (Mass : 150g)

**IP68**

**9WL<sub>type</sub>**

**High Airflow Long Life Fan**



## Specifications

The following nos. **have PWM controls and pulse sensors.**

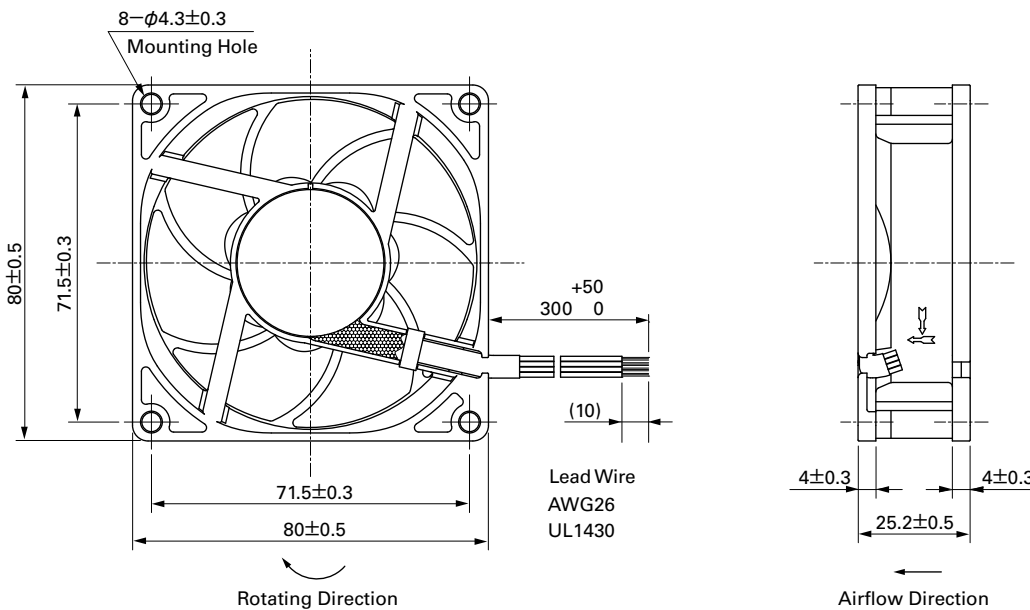
| Model No.            | Rated Voltage [V] | Operating Voltage Range [V] | PWM duty cycle <sup>Min/Max</sup> [%] | Rated Current [A] | Rated Input [W] | Rated Speed [min <sup>-1</sup> ] | Max. Airflow [m <sup>3</sup> /min] [CFM] | Max. Static Pressure [Pa] [inchH <sub>2</sub> O] | SPL [dB(A)] | Operating Temperature [°C] | Expected Life [h] |
|----------------------|-------------------|-----------------------------|---------------------------------------|-------------------|-----------------|----------------------------------|--|--|-------------|----------------------------|-------------------|
| <b>9WL0812P4J001</b> | 12                | 10.8 to 13.2                | 100                                   | 0.6               | 7.2             | 7,400                            | 2.07 73.0                                | 177 0.71   | 49          | -20 to +70                 | 180,000/60°C      |
|                      |                   |                             | 20                                    | 0.06              | 0.72            | 1,800                            | 0.50 17.6                                | 10.4 0.04  | 16          |                            |                   |
| <b>9WL0812P4G001</b> |                   |                             | 100                                   | 0.30              | 3.60            | 5,500                            | 1.54 54.3                                | 98 0.39  | 43          |                            |                   |
|                      |                   |                             | 25                                    | 0.05              | 0.60            | 1,400                            | 0.39 13.7                                | 6.3 0.02   | 14          |                            |                   |
| <b>9WL0812P4H001</b> |                   |                             | 100                                   | 0.12              | 1.44            | 3,700                            | 1.03 36.3                                | 44 0.17  | 31          |                            |                   |
|                      |                   |                             | 25                                    | 0.04              | 0.48            | 1,100                            | 0.30 10.5                                | 3.9 0.01   | 13          |                            |                   |
| <b>9WL0824P4J001</b> | 24                | 21.6 to 26.4                | 100                                   | 0.28              | 6.72            | 7,400                            | 2.07 73.0                                | 177 0.71   | 49          |                            |                   |
|                      |                   |                             | 20                                    | 0.05              | 1.20            | 2,400                            | 0.67 23.6                                | 18.6 0.07  | 22          |                            |                   |
| <b>9WL0824P4G001</b> |                   |                             | 100                                   | 0.14              | 3.36            | 5,500                            | 1.54 54.3                                | 98 0.39  | 43          |                            |                   |
|                      |                   |                             | 20                                    | 0.02              | 0.48            | 1,200                            | 0.33 11.6                                | 4.6 0.01   | 13          |                            |                   |
| <b>9WL0824P4H001</b> |                   |                             | 100                                   | 0.05              | 1.2             | 3,700                            | 1.03 36.3                                | 44 0.17  | 31          |                            |                   |
|                      |                   |                             | 30                                    | 0.02              | 0.48            | 1,100                            | 0.30 10.5                                | 3.9 0.01   | 13          |                            |                   |

Note : Fan does not rotate when PWM duty cycle is 0%.

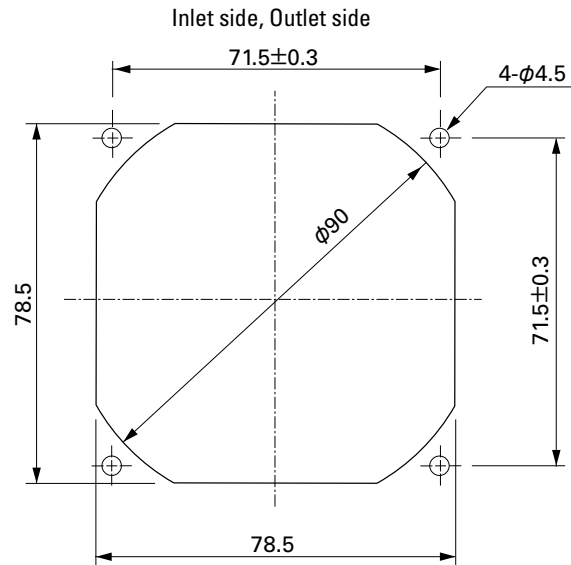
※PWM Frequency : 25kHz

Other sensor specifications are available as options. Please refer to the index (pp. 511 to 512).

## Dimensions (unit: mm)



Reference Dimensions of Mounting Holes and Vent Opening (unit: mm)



Options (unit: mm)

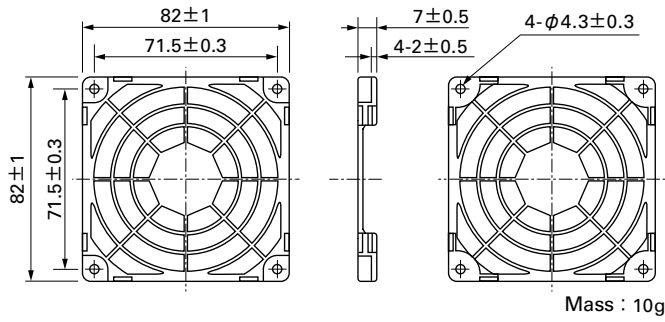
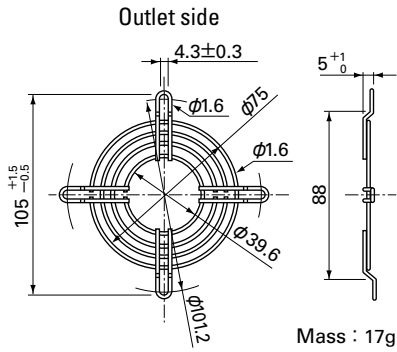
Finger Guards

Model : 109-049C Surface treatment : Nickel-chrome plating (silver) Color

Color

Resin Finger Guards

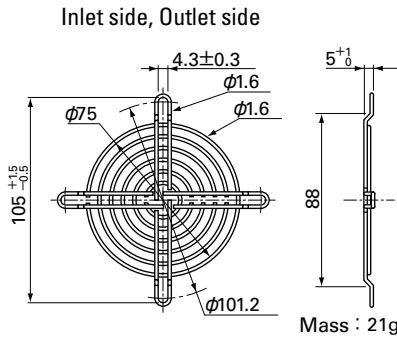
Model : 109-1002G



Model : 109-049E Surface treatment : Nickel-chrome plating (silver) Color

Color

: 109-049H : Cation electropainting (black)



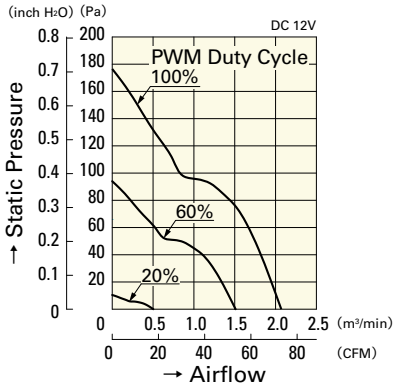
**80** mm sq.

**San Ace 80W**

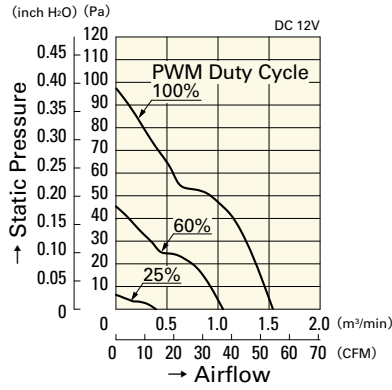
**80×80×25**mm [Mass : 150g]

**Airflow - Static Pressure Characteristics**

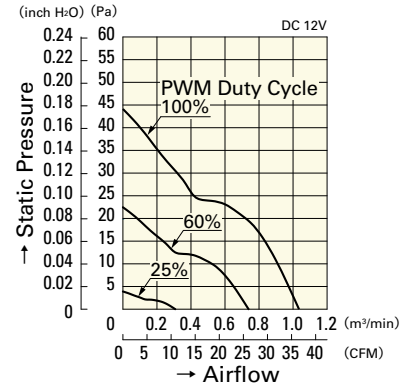
**PWM Duty Cycle**



**9WL0812P4J001**

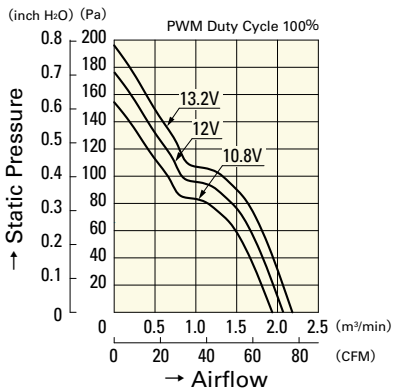


**9WL0812P4G001**

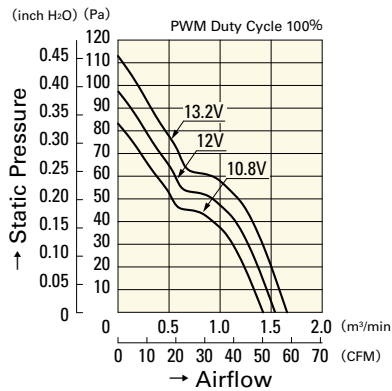


**9WL0812P4H001**

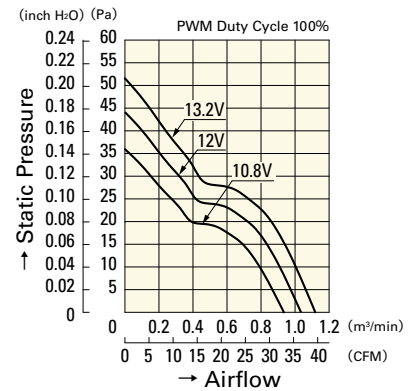
**Operating Voltage Range**



**9WL0812P4J001**

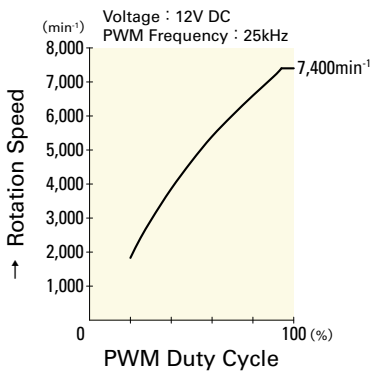


**9WL0812P4G001**

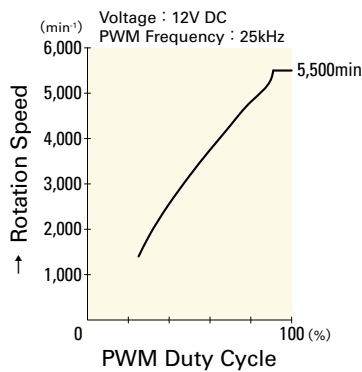


**9WL0812P4H001**

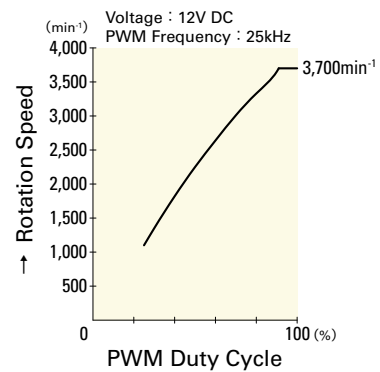
**PWM Duty - Speed Characteristics Example**



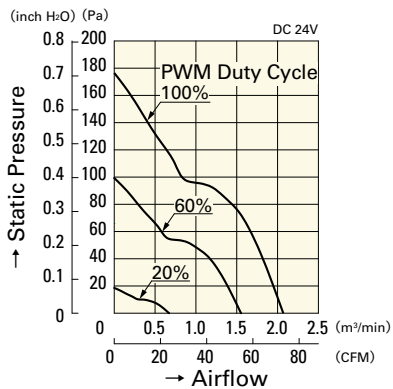
**9WL0812P4J001**



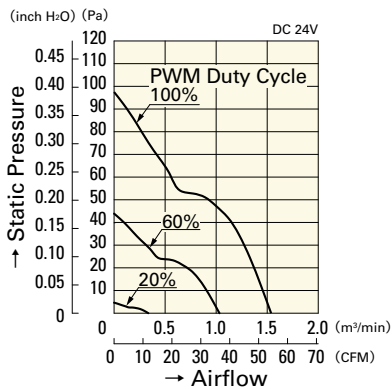
**9WL0812P4G001**



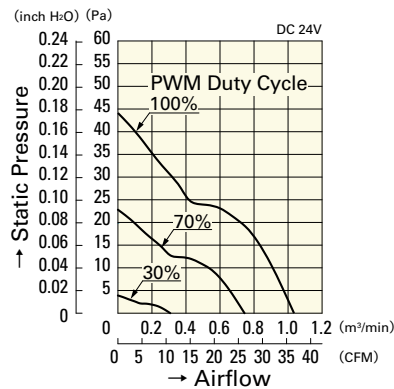
**9WL0812P4H001**



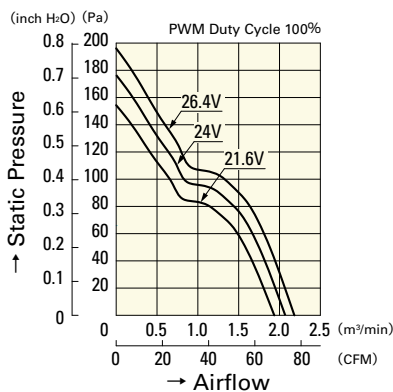
9WL0824P4J001



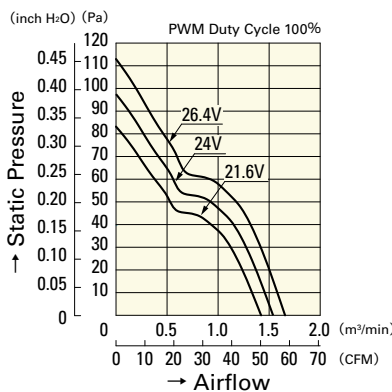
9WL0824P4G001



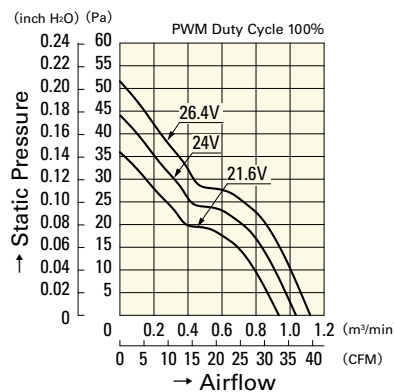
9WL0824P4H001



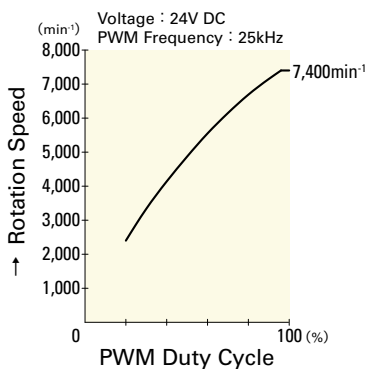
9WL0824P4J001



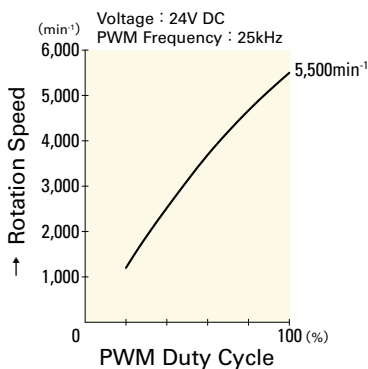
9WL0824P4G001



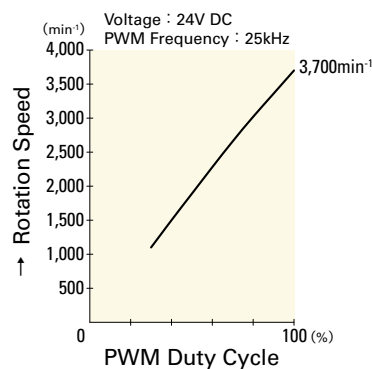
9WL0824P4H001



9WL0824P4J001



9WL0824P4G001



9WL0824P4H001