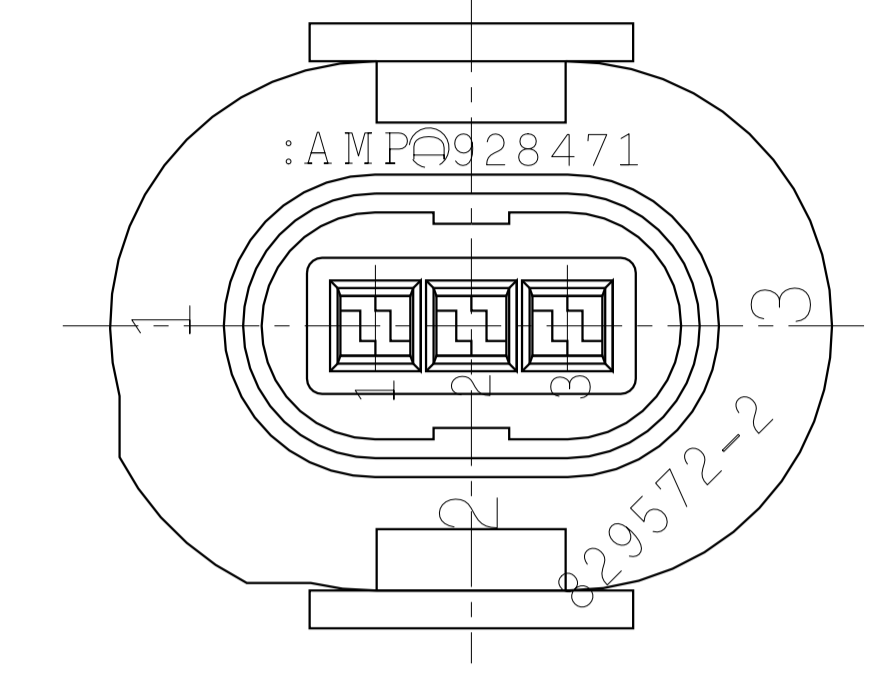
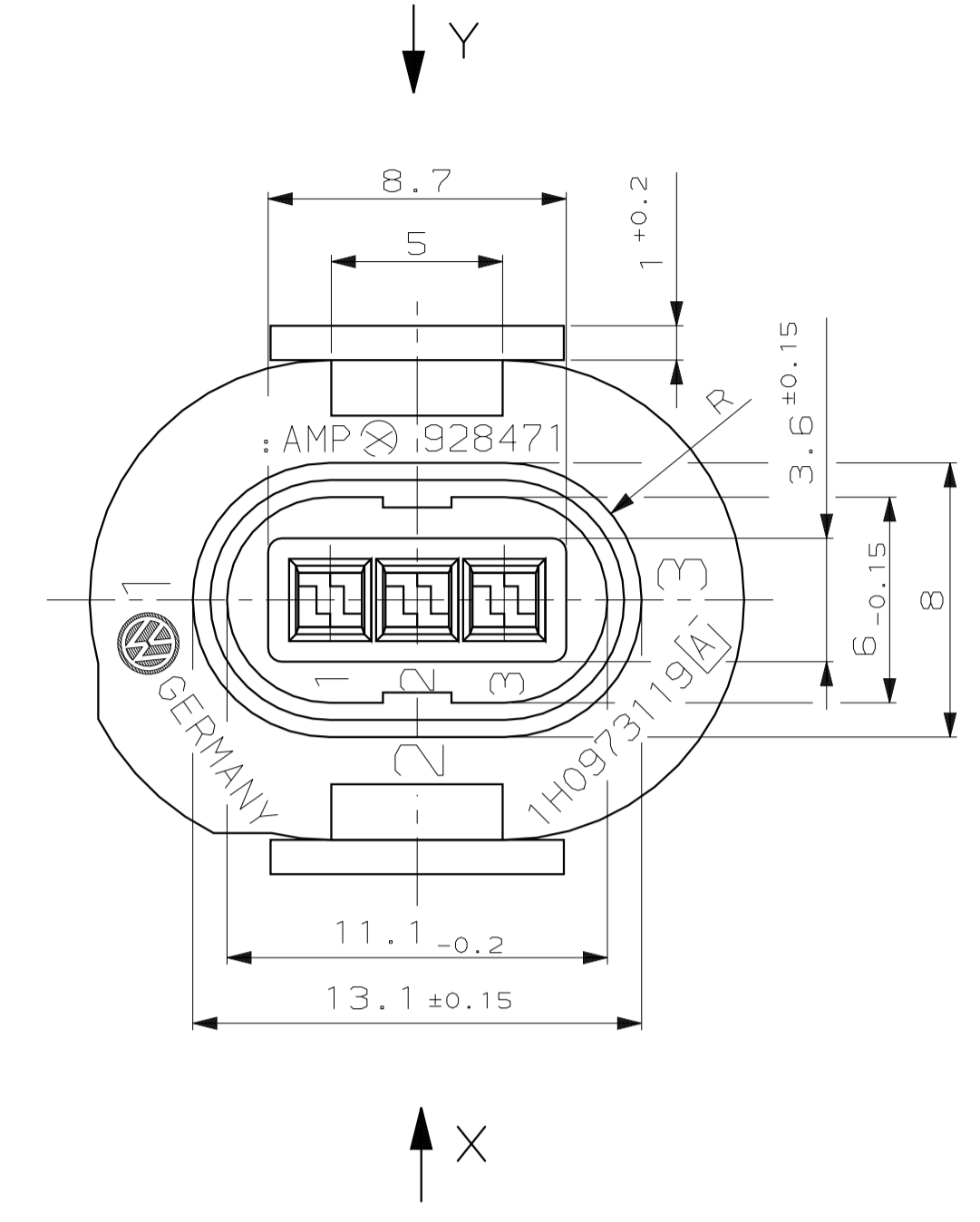
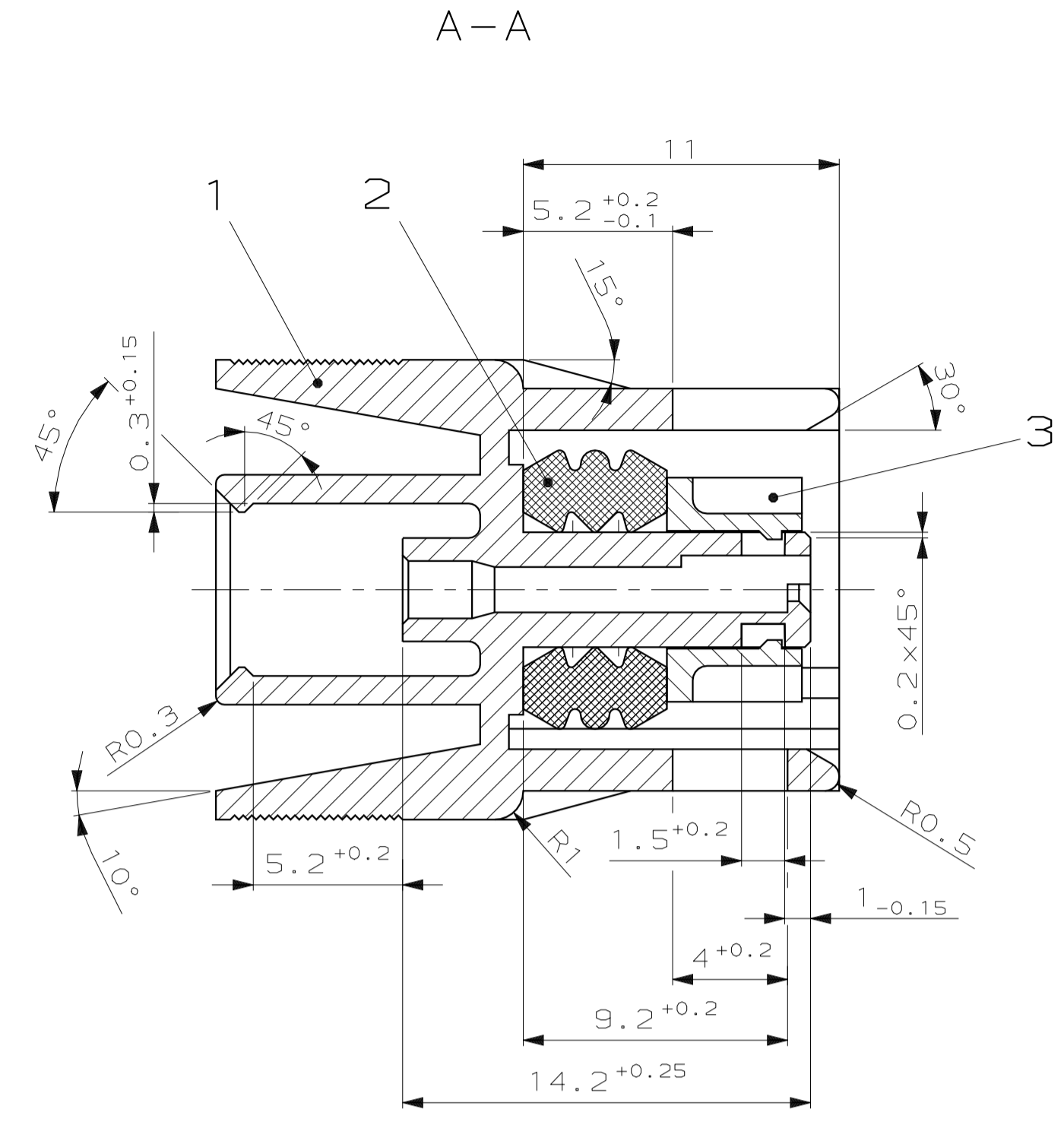
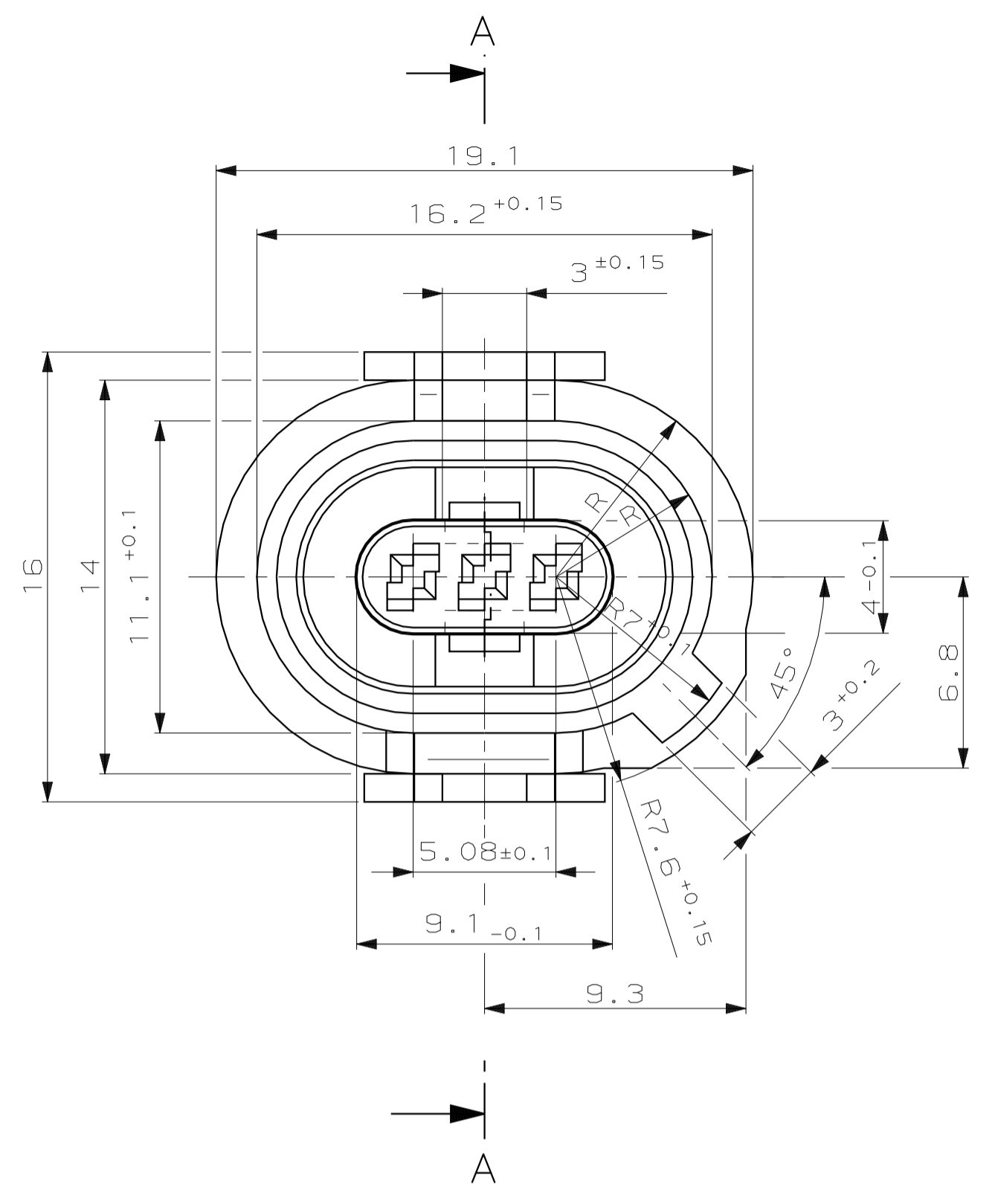
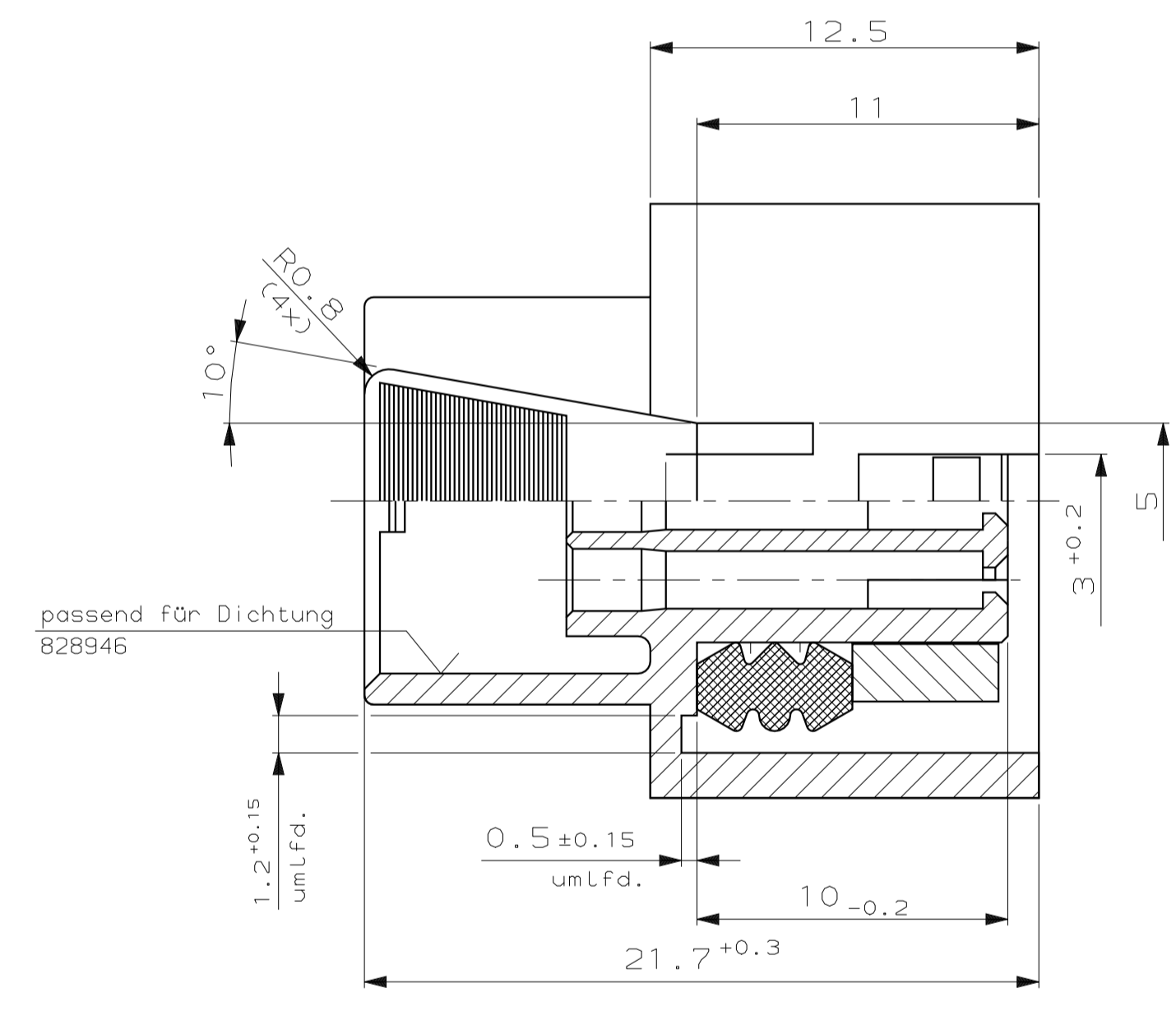


LOC	DIST	REV	DATE	BY	CHK	APPV
A1	-	1	04.05.90	Atz.	-	-
		2	28.03.91	Breier	-	-
		3	14.05.91	Breier	-	-
		4	23.08.91	Kirsch	-	-
		5	11.06.92	Gron.	-	-
		6	22.01.03	Sche.	-	-
		7	02.09.03	Fr.	-	-
		8	22.11.06	M.Zayg	-	-

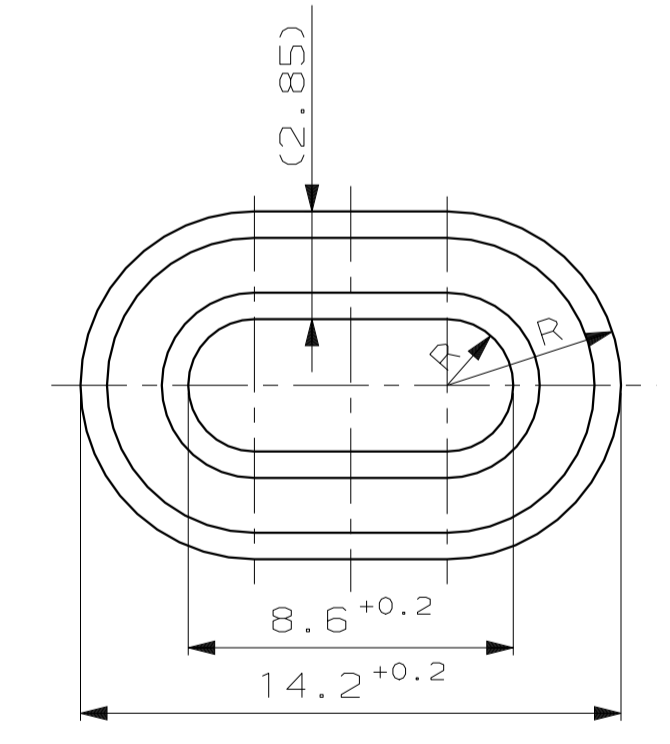
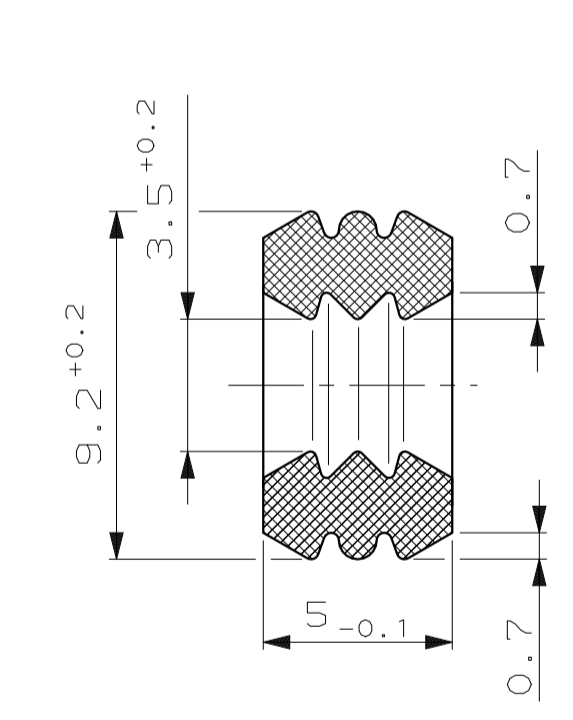


neutrale Version
928471-2

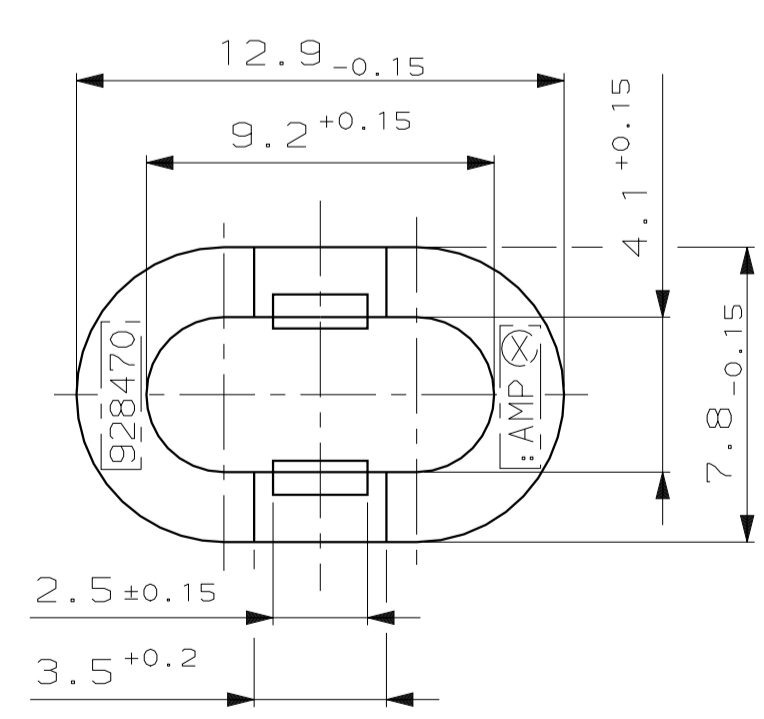
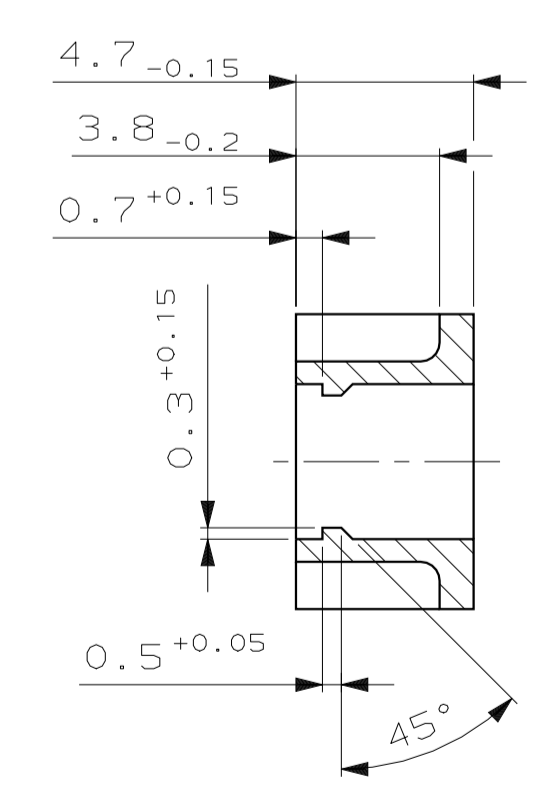
928471-1



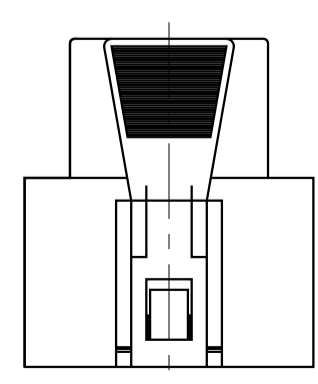
Dichtung



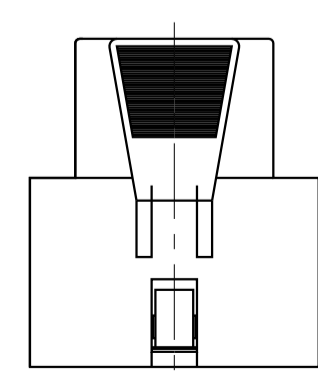
Sicherungshülse



Ansicht X 2:1
VIEW



Ansicht Y 2:1
VIEW



REV.	DESCRIPTION	MATERIAL	SURFACE COLOR	QTY.	ITEM NO.
-	RETAINING RING	PA66-GF	BLACK	1	3
-	SEALING HOUSING	SILICON	ORANGE	1	2
-	HOUSING	PA66-GF	BLACK	1	1
1H0 973 117 A	RETAINING RING	PA66-GF	BLACK	1	3
	SEALING HOUSING	SILICON	ORANGE	1	2
	HOUSING	PA66-GF	BLACK	1	1

VW PART NO.	AMP PART NO.	REV.	DESCRIPTION	MATERIAL	SURFACE COLOR	QTY.	ITEM NO.
	829572-2	E	RETAINING RING	PA66-GF	BLACK	1	3
			SEALING HOUSING	SILICON	ORANGE	1	2
			HOUSING	PA66-GF	BLACK	1	1
	829572-1	E	RETAINING RING	PA66-GF	BLACK	1	3
			SEALING HOUSING	SILICON	ORANGE	1	2
			HOUSING	PA66-GF	BLACK	1	1

THIS DRAWING IS UNPUBLISHED. IT IS SUBJECT TO CHANGE AND THE CONTROLLING ENGINEERING DEPARTMENT SHALL BE CONTACTED FOR THE LATEST REVISION.	DON: S. Schelhorn CHK: R. Nebe DATE: 05.11.96	AMP tyco Electronics AMP GmbH D - 64625 Bensheim
DIMENSIONS: DIMENSIONEN: mm TOLERANCES UNLESS OTHERWISE SPECIFIED: ALLERGENE TOLERANZEN ±0.2mm	APPLICATION SPEC: VERARBEITUNGSSPEZ. SIZE: A1 WEIGHT: - MATERIAL: SEE TABLE	PRODUCT SPEC: MODU RECEPTACLE HOUSING, 3POSITION, ASSEMBLY PRODUCT SPEC: MODU BUCHSENGEHÄUSE, 3POLIG, KOMPLETT DRAWING NO: 00779 CUSTOMER DRAWING: /KUNDENZEICHNUNG