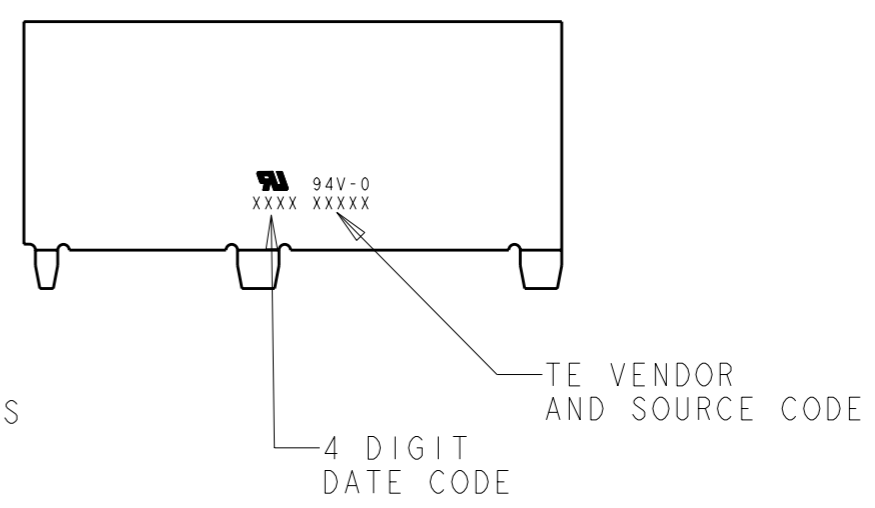
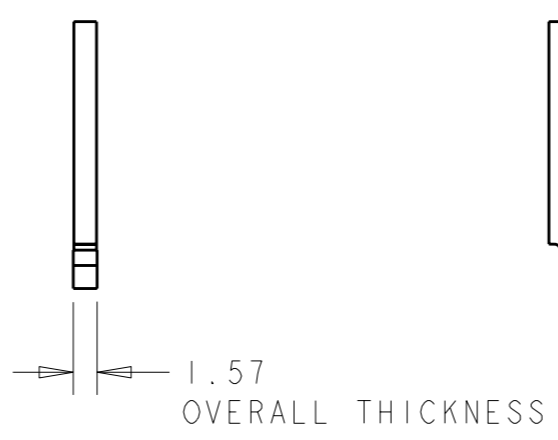
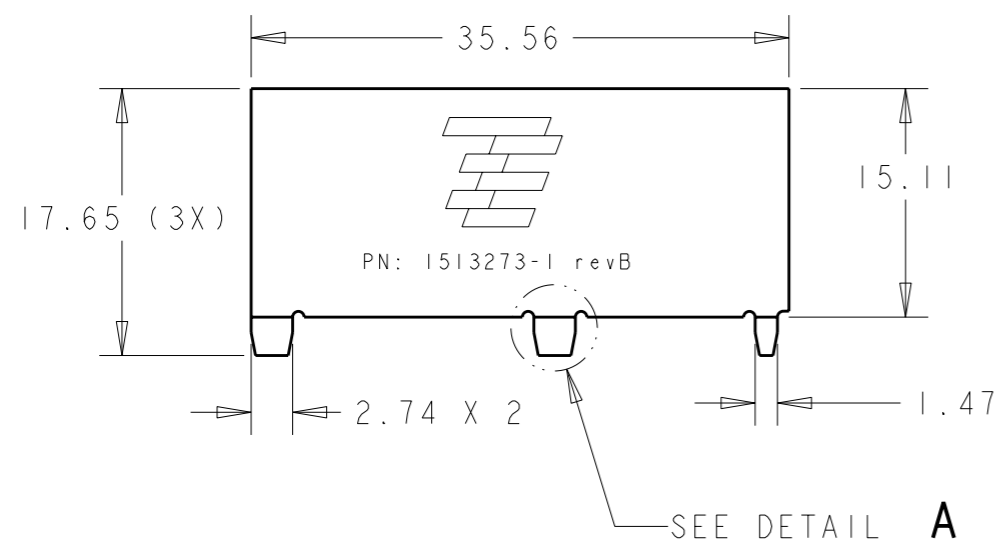


THIS DRAWING IS UNPUBLISHED. RELEASED FOR PUBLICATION 20  
 © COPYRIGHT 20 BY TYCO ELECTRONICS CORPORATION. ALL RIGHTS RESERVED.

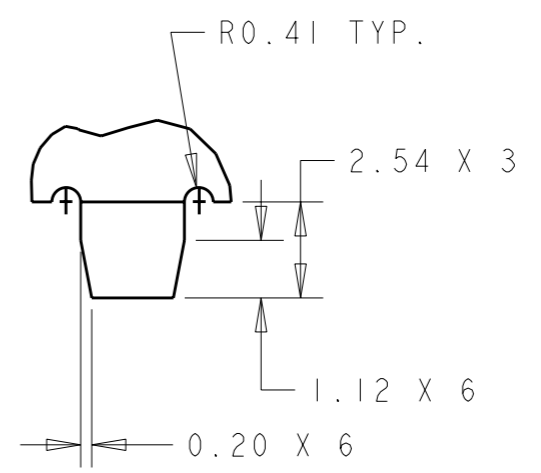
LOC	DIST	REVISIONS					
		P	LTR	DESCRIPTION	DATE	DWN	APVD
HQ	00		A	Release	14NOV2008	DJL	MAH
			B	Update notes / logo, add mounting layout	19AUG2009	APV	APV



1513273-1 AS SHOWN

NOTES: UNLESS OTHERWISE SPECIFIED.

- FABRICATE TO MEET IPC - 6012, CLASS 2. INSPECT TO MEET IPC - A - 600, CLASS 2.
- PRIMARY AND SECONDARY SIDES SHOWN.
- MATERIAL: GETEK 8 PLY (7628) 1.49 THK. GRADE RG200D 1/2 OZ. COPPER BOTH SIDES. DIELECTRIC CONSTANT @ 1MHZ 4.2±0.1.
- FINISH:  
 A: SOLDERMASK OVER BARE COPPER (SMOBC).  
 B: MASK BOTH SIDES OF PCB WITH LPI SOLDERMASK. SOLDERMASK COLOR: NATURAL GREEN.  
 C: TOP AND BOTTOM OF TABS E.N.I.G PLATING
- TWO PLACE TOLERANCES: ±0.23
- PACKAGING: SINGULATED PARTS TO BE VACUUM PACKED IN BULK.
- PARTS ARE COMPLIANT TO ROHS STANDARDS PER TYCO ELECTRONICS STANDARD TEC-138-702.
- CONSULT TYCO ELECTRONICS DATA SHEET DS1513273
- CONTACT TYCO ELECTRONICS ENGINEERING PRIOR TO DESIGNING INTO AN APPLICATION



DETAIL A  
SCALE 5:1

THIS DRAWING IS A CONTROLLED DOCUMENT FOR TYCO ELECTRONICS CORPORATION. IT IS SUBJECT TO CHANGE AND THE CONTROLLING ENGINEERING ORGANIZATION SHOULD BE CONTACTED FOR THE LATEST REVISION.		DWN DJL	14NOV2008	Tyco Electronics Rochester, New York 14623	
DIMENSIONS: mm		CHK -	APVD -	NAME World GSM Antenna	
		PRODUCT SPEC -	APPLICATION SPEC -	SIZE A3	CAGE CODE 00779
TOLERANCES UNLESS OTHERWISE SPECIFIED: 0 PLC ± 1 PLC ± 2 PLC ± 3 PLC ± 4 PLC ± ANGLES ±		WEIGHT -	DRAWING NO 1513273		RESTRICTED TO -
MATERIAL -		FINISH -		CUSTOMER DRAWING	
				SCALE 2:1	SHEET 1 OF 1
				REV B	