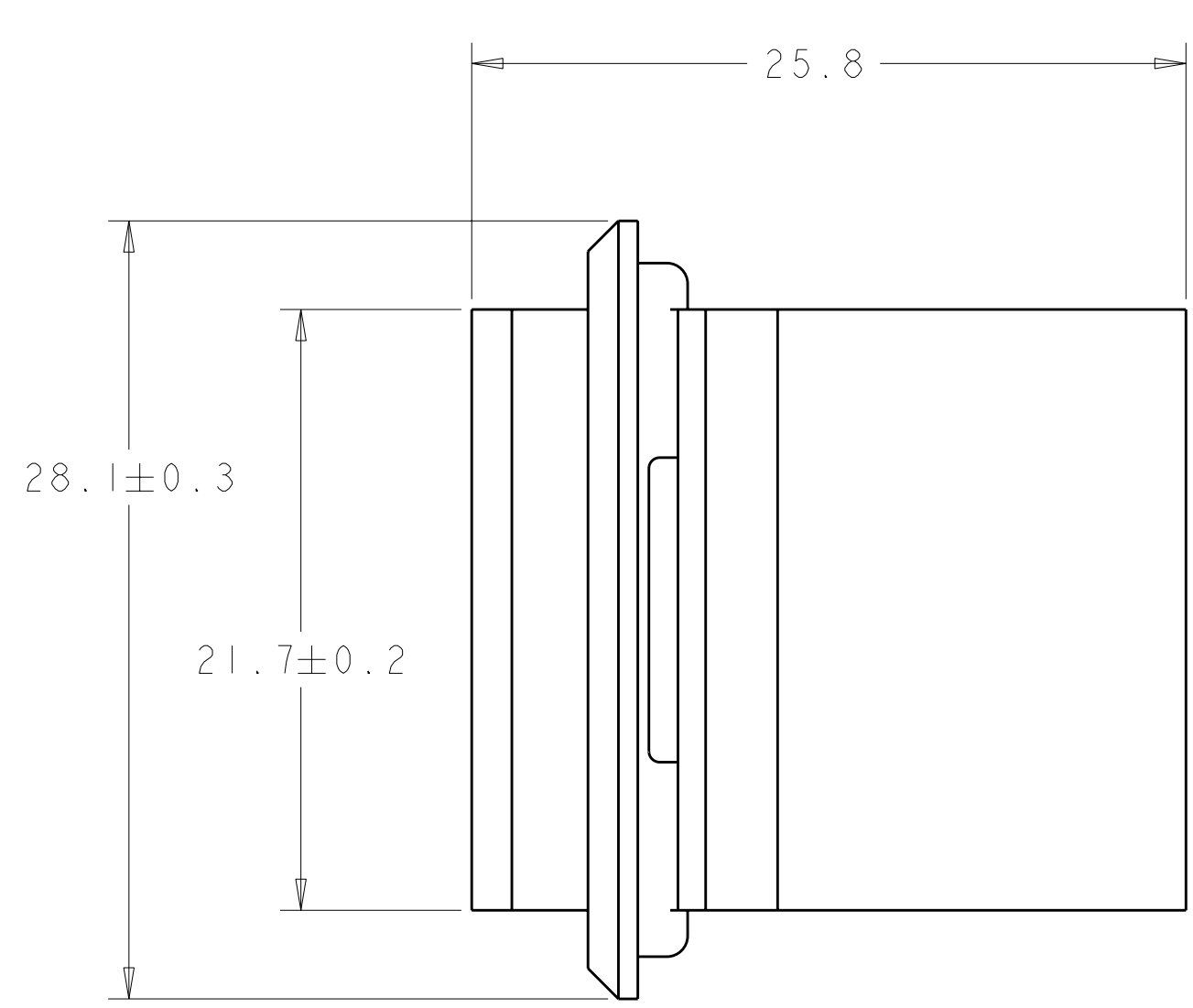
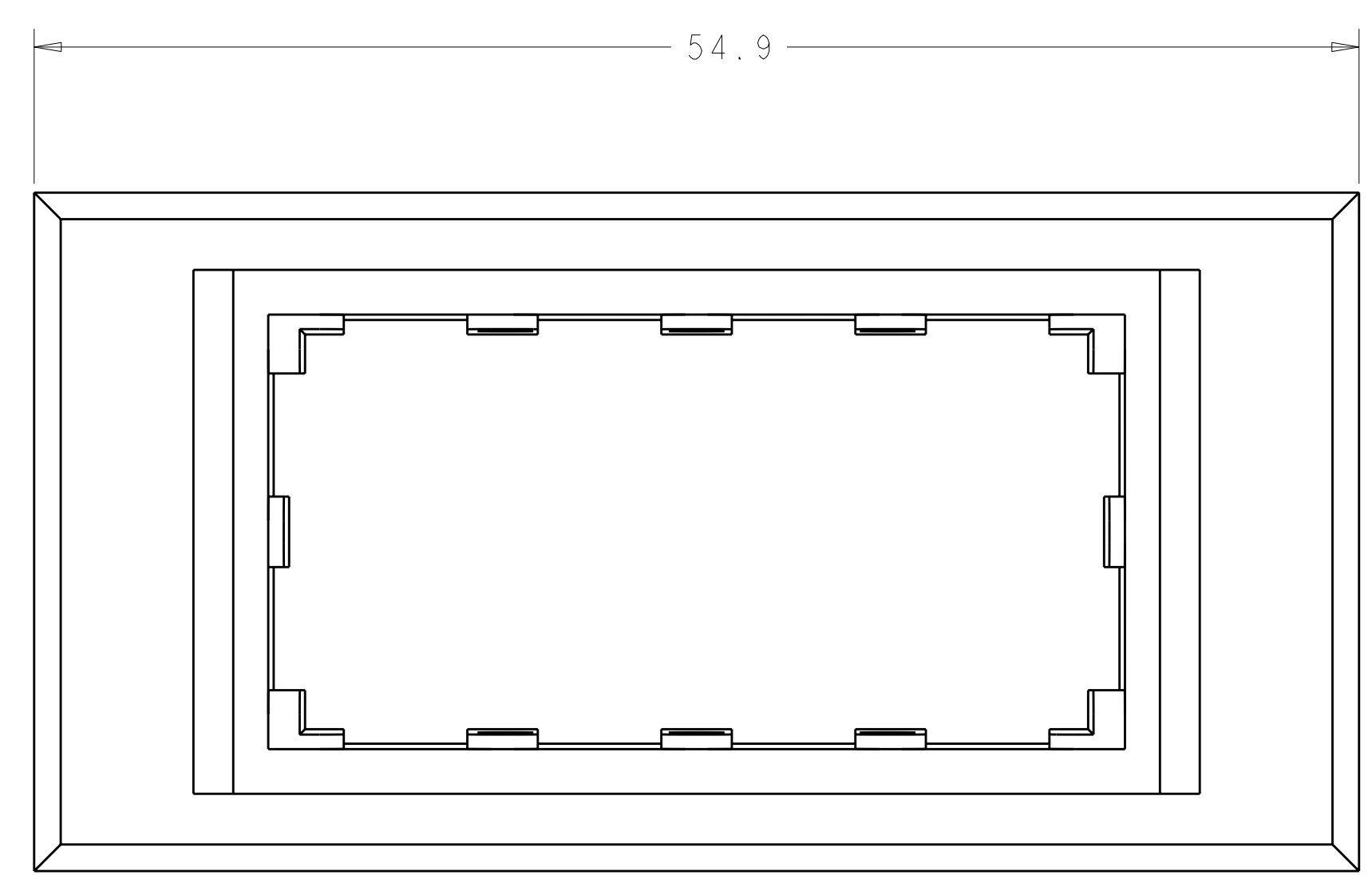
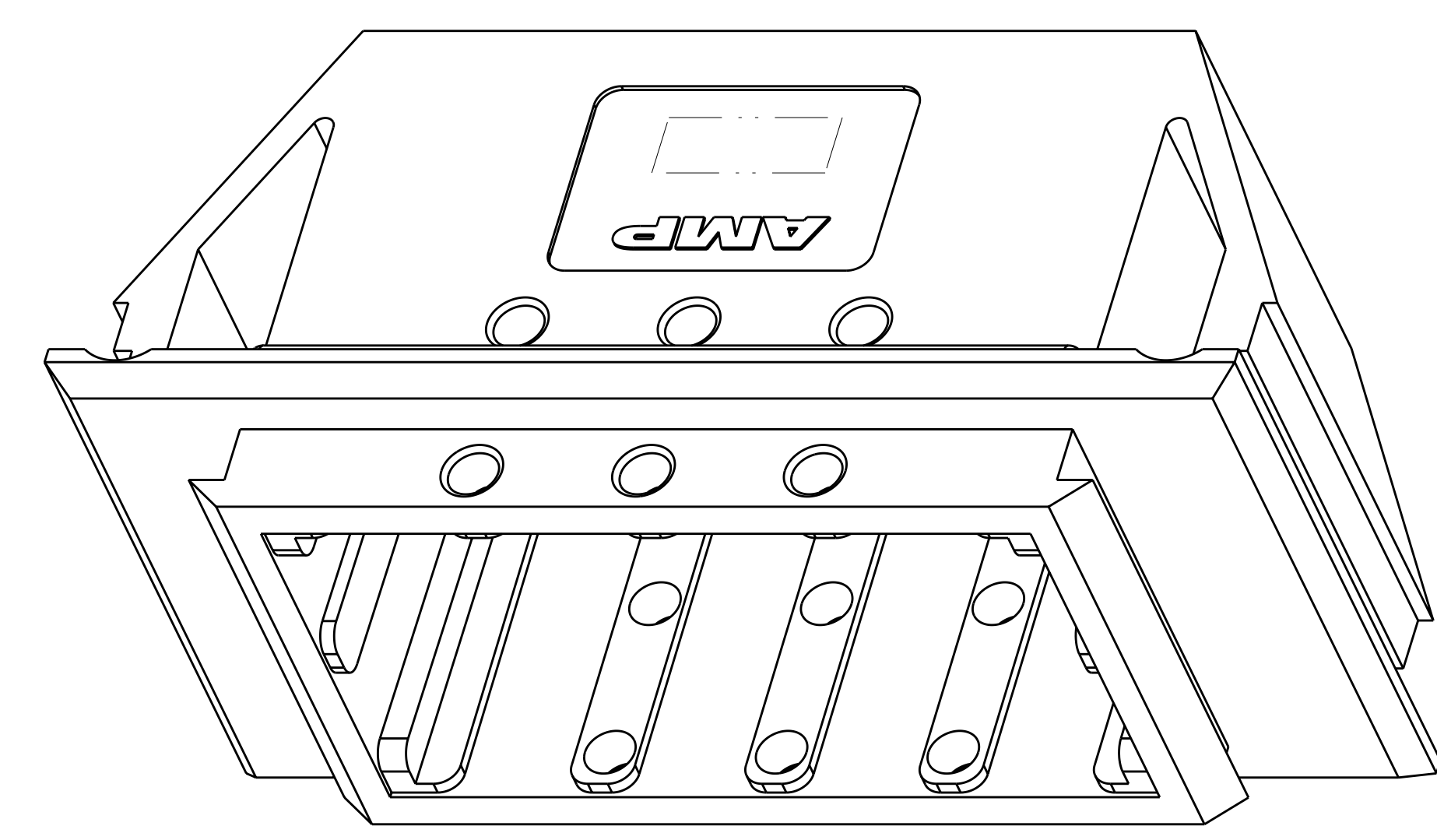
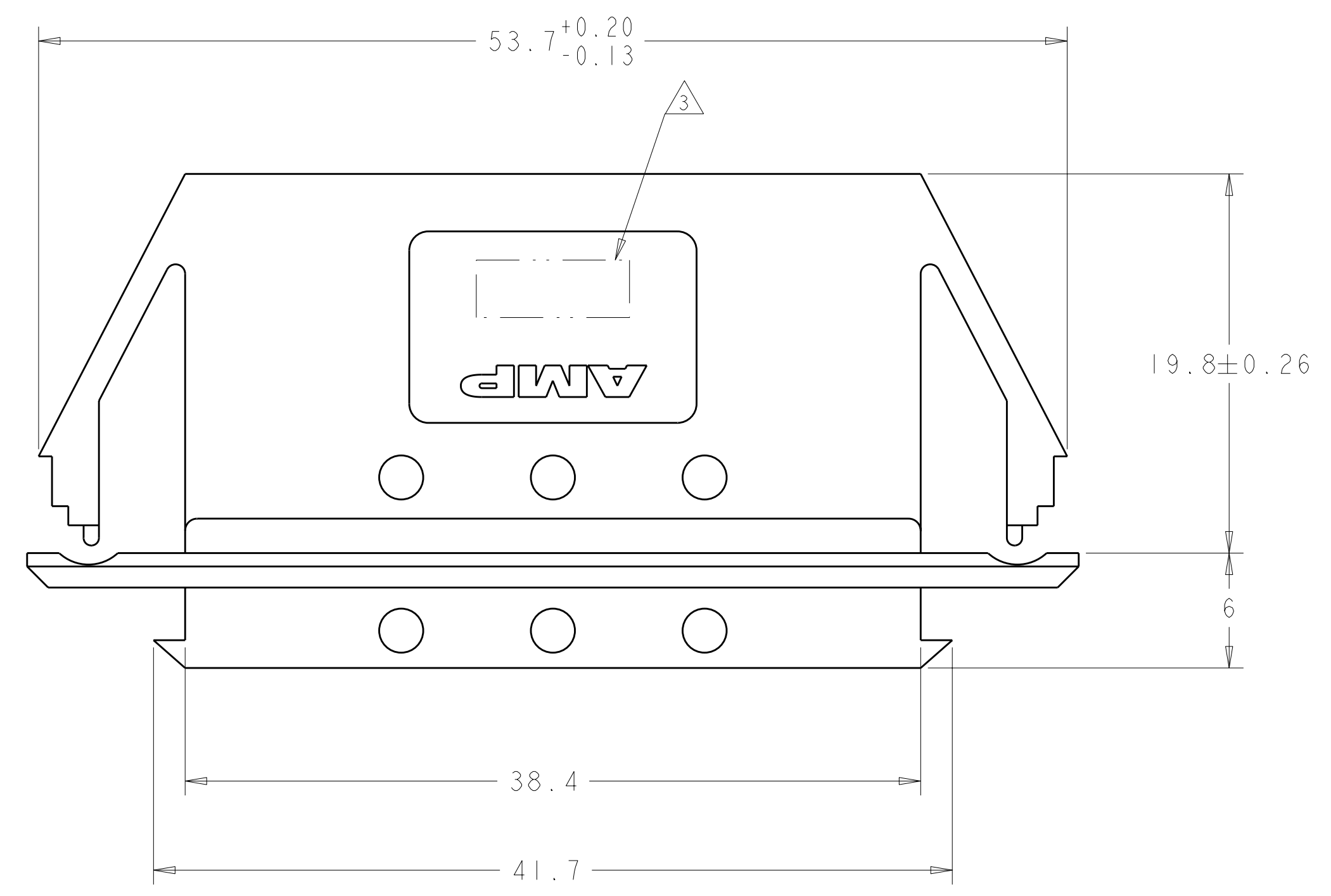


LOC	DIST	REVISIONS			
FT	0	REV	DATE	BY	APPD
		B	03JUN2011	HMR	DY



1. MATERIAL: POLYCARBONATE 94-V0
2. COLOR: BLACK
- ③ TE OR TE CONNECTIVITY LOGO LOCATED APPROX IN THIS AREA.

1604079-1
 PART NUMBER

THIS DRAWING IS A CONTROLLED DOCUMENT.		DWN B. HAYMAKER	09JAN2002	STE TE Connectivity	
DIMENSIONS:		CHK K. KETELSLEGER	14MAR02	NAME	
TOLERANCES UNLESS OTHERWISE SPECIFIED:		APVD K. KETELSLEGER	14MAR02	HOUSING, 2X4 POWER PRODUCT RECEPTACLE	
mm	0 PLC ±0.13	PRODUCT SPEC		SIZE CAGE CODE DRAWING NO	
	1 PLC ±0.13	APPLICATION SPEC		RESTRICTED TO	
	2 PLC ±0.13	WEIGHT		A100779C=1604079	
	3 PLC ±0.13	CUSTOMER DRAWING		SCALE 4:1 SHEET 1 OF 1 REV B	
	4 PLC ±				
	ANGLES ±30°				
MATERIAL	FINISH				