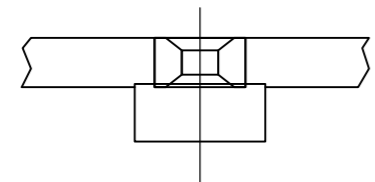
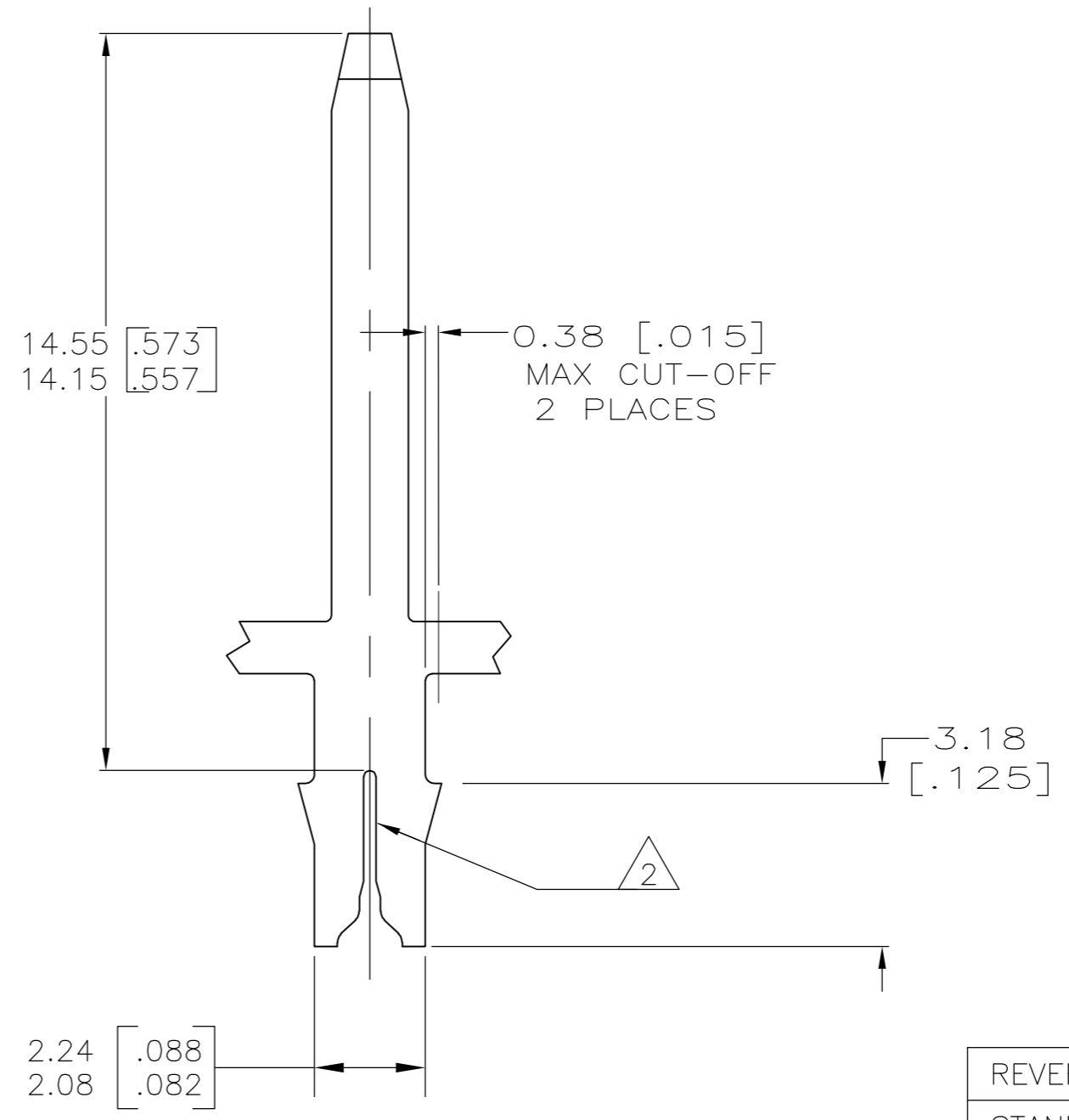
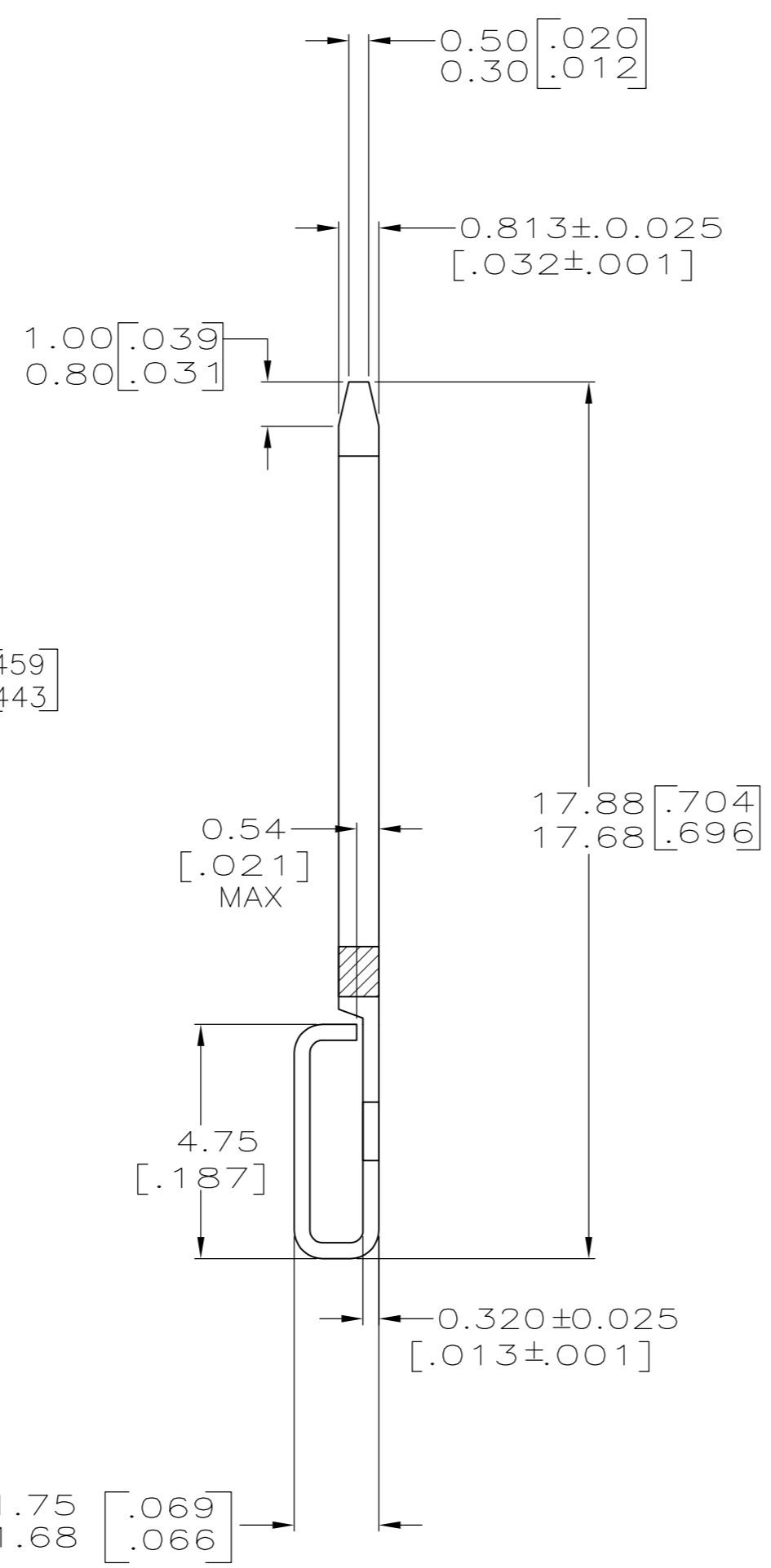
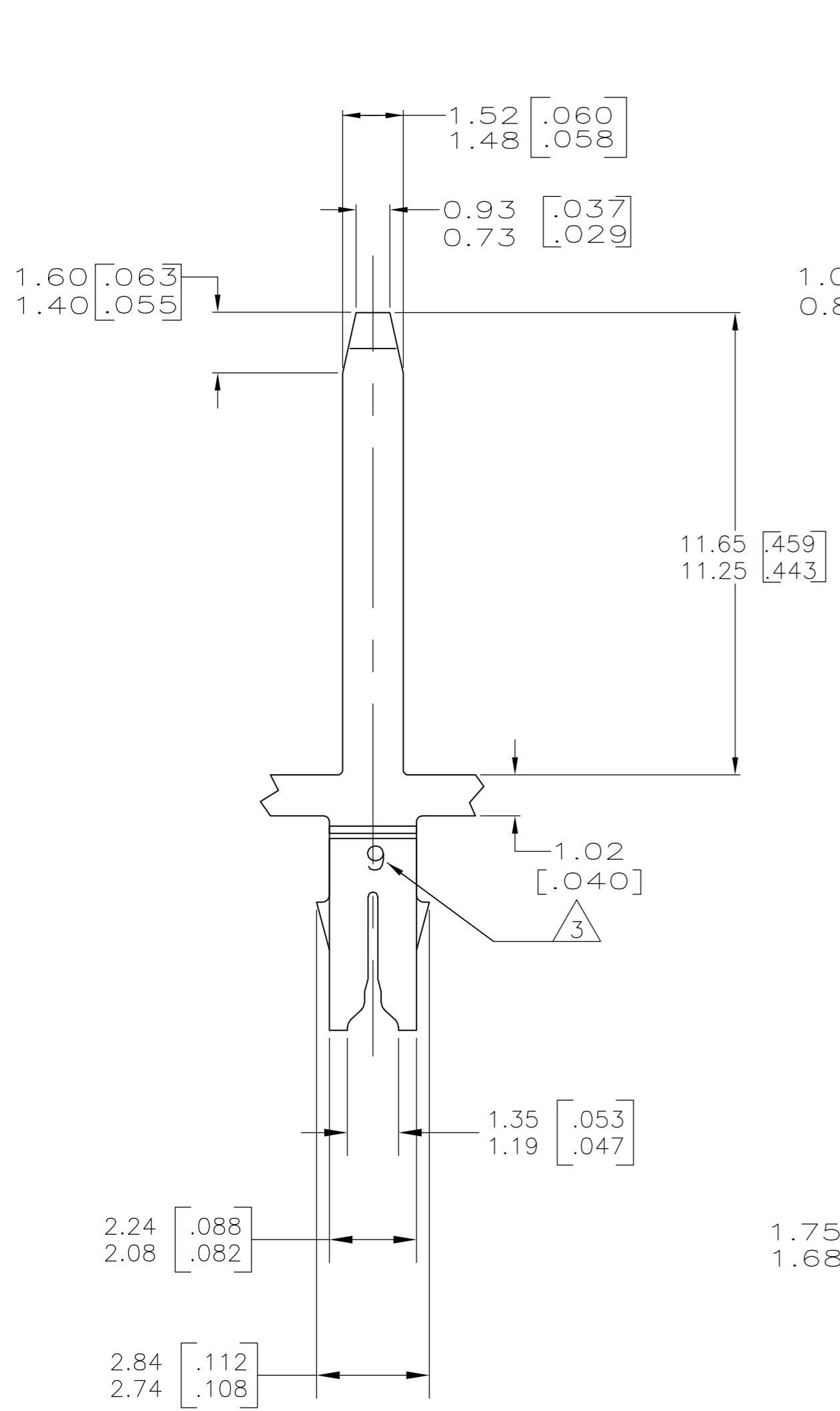


THIS DRAWING IS UNPUBLISHED. RELEASED FOR PUBLICATION  
 © COPYRIGHT BY TYCO ELECTRONICS CORPORATION. ALL INTERNATIONAL RIGHTS RESERVED.

LOC		DIST		REVISIONS			
P	LTR	DESCRIPTION		DATE	DWN	APVD	
	A3	REVISED PER ECR-09-001123		23JAN09	HMR	KR	



- 1 CONTINUOUS STRIP ON REELS (NO SPLICES) WITH TERMINALS LOCATED ON 5.08±0.08 [.200±.003] CENTERS.
- 2 SLOT ACCEPTS 0.36-0.45mm [#27-#25] AWG BARE COPPER WIRE.
- 3 IDENTIFICATION NUMBER 9 FOR WIRE SLOT SIZE.
- 4 0.00203 [.000080] MIN TIN PLATE OVER 0.00254 [.000100] MIN COPPER UNDERPLATE.
- 5 0.00203 [.000080] MIN TIN PLATE OVER 0.00127 [.000050] MIN NICKEL UNDERPLATE.
- 6 APPLICATION SPEC 114-2069 MODIFIED WITH 2.46-2.62 [.097-.103] CAVITY WIDTH.
- 7 PRELIMINARY - NOT FOR PRODUCTION.



REVERSED	5	7	1742653-3
STANDARD	5		1742653-2
STANDARD	4	7	1742653-1
REELING	FINISH	PART NUMBER	

THIS DRAWING IS A CONTROLLED DOCUMENT.		DWN MICHAEL S. FEHER 02NOV2007	Tyco Electronics Corporation Harrisburg, PA 17105-3608	
DIMENSIONS: INCHES		CHK KURT A. RANDOLPH 02NOV2007	NAME TAB, 1.50 [.059] SERIES, 187 SERIES MAG-MATE	
TOLERANCES UNLESS OTHERWISE SPECIFIED:		APVD KURT A. RANDOLPH 02NOV2007	PRODUCT SPEC 108-2012	
0 PLC ± -		APPLICATION SPEC 114-2069		
1 PLC ± -		SIZE A2		
2 PLC ± 0.25 [.010]		CAGE CODE 00779		
3 PLC ± -		DRAWING NO 1742653		
4 PLC ± -		RESTRICTED TO -		
ANGLES ± -		SCALE 8:1		
FINISH SEE TABLE		SHEET 1 of 1		
MATERIAL H04 PRE-MILLED BRASS		REV A3		
CUSTOMER DRAWING				

1742653