

REVISIONS					
P	LTR	DESCRIPTION	DATE	DWN	APVD
E		REVISED PER ECR-16-016889	22DEC2016	RK	SS

SPECIFICATIONS:

MATERIAL

BASE, PPS, UL94V-0, BLACK
 COVER, PPS, UL94V-0, BLACK
 ACTUATOR, PA6T, UL94V-0, WHITE
 FIXED CONTACT/TERMINAL, CU ALLOY-GOLD FLASH OVER NICKEL
 MOVING CONTACT, CU ALLOY, PLATE-GOLD FLASH/NICKEL
 TAPE SEAL-POLYIMIDE FILM, AMBER, SEE P/N TABLE FOR OPTIONS

ELECTRICAL

MAX CONTACT RATING SWITCHING, 100mA @ 5 VDC (AMPERE MAX)
 25mA @ 24 VDC (VOLTAGE MAX)

MIN CONTACT RATING SWITCHING, 0.1mA (1mV)
 MAX CONTACT NON-SWITCHING, 1AMP @ 5 VDC
 INITIAL CONTACT RESISTANCE, 50 MILLIOHMS MAX.
 CONTACT RESISTANCE (AFTER ENVIRONMENTAL TEST), 100 MILLIOHMS
 CONTACT RESISTANCE (AFTER GAS TEST), 300 MILLIOHMS
 INSULATION RESISTANCE, 1,000 MEGOHMS MIN. @ 100 VDC
 DIELECTRIC STRENGTH, 300 VAC FOR 1 MINUTE.
 LIFE EXPECTANCY, 1,000 CYCLES

MECHANICAL

OPERATING FORCE, LESS THAN 800 GRAMS
 CONTACT PRESSURE, 280,000 PSI

ENVIRONMENTAL

OPERATING TEMPERATURE, -30 TO +85 DEGREES C
 STORAGE TEMPERATURE, -30 TO +85 DEGREES C
 CLEANING, AQUEOUS OR SOLVENT
 SOLDER HEAT RESISTANCE, PER 109-201, COND B, SWITCH "OFF".
 SOLDERABILITY PER IPC/ECA J-STD-002D, TEST S1 LEAD-FREE SOLDER - SURFACE MOUNT PROCESS SIMULATION TEST.

1 SWITCHES TO BE RECEIVED IN THE "OFF" POSITION AND PACKAGED IN CLEAR TUBES TO ACCOMMODATE AUTO-INSERTION OR PACKAGED ON TAPE AND REEL

2 TOP SURFACE TO BE CLEARLY MARKED AS SHOWN

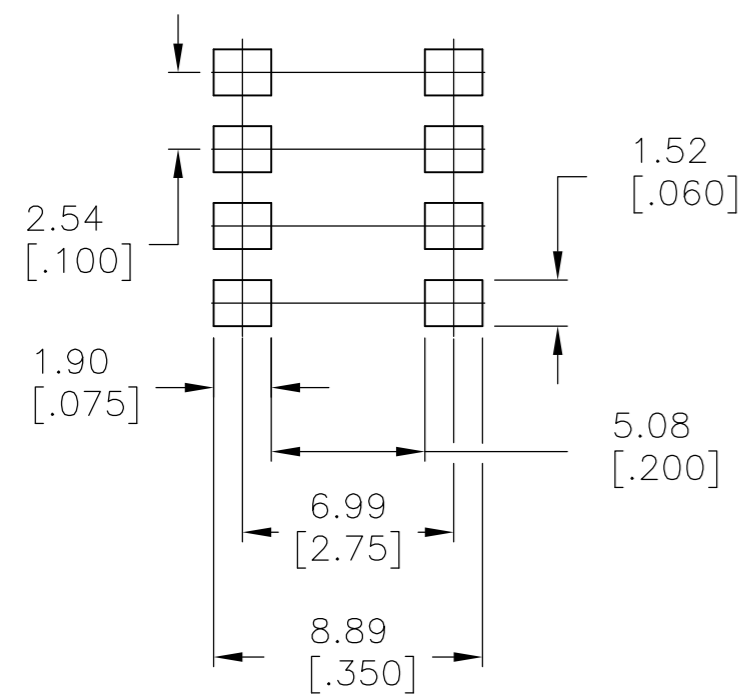
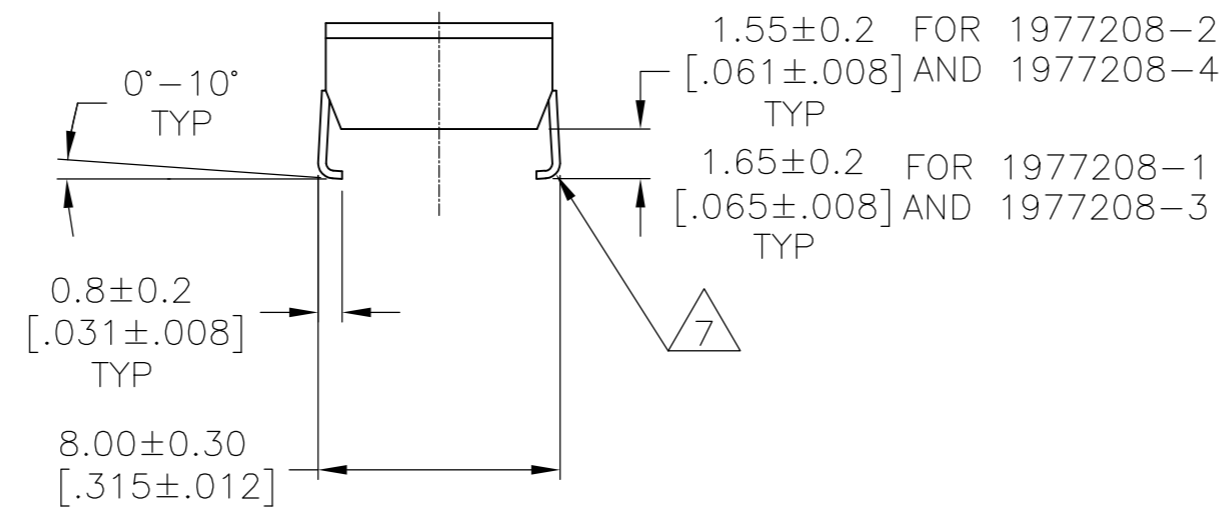
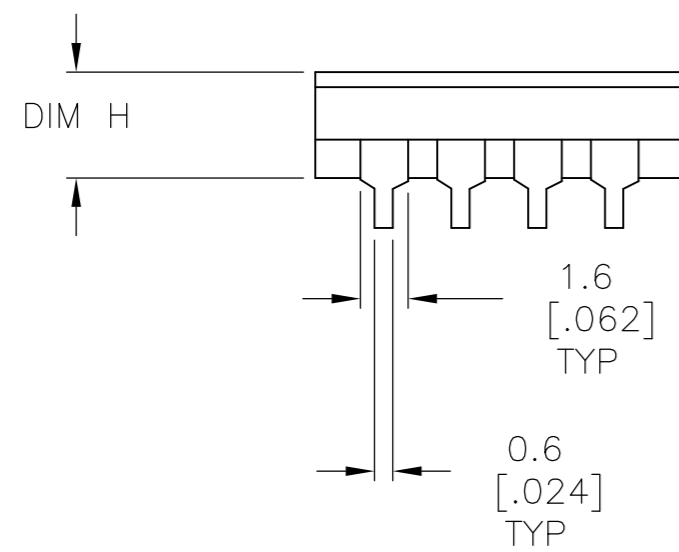
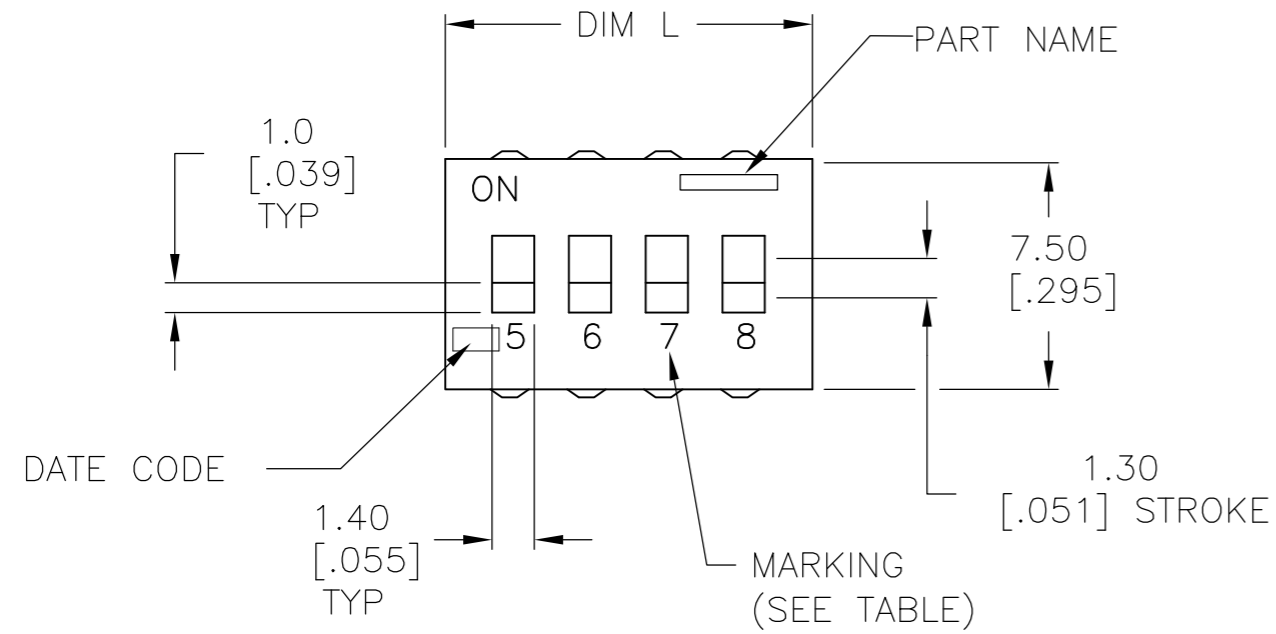
3 SWITCHES TO BE BLACK WITH WHITE ACTUATORS AND MARKINGS.

4 ALL MATERIALS AND FINISHES SHALL COMPLY WITH EU DIRECTIVE 2002/95/EC OF 27JAN2003 (ROHS)

5 TAPE AND REEL PACKAGING PER EIA 481.

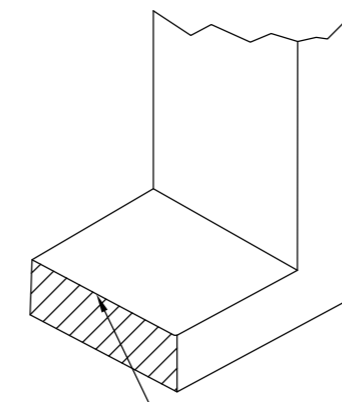
6 PACKAGING REEL DIMENSIONS (PLEASE REFERENCE SHEET 2)
 FOR 1977208-1,-3, DIM: 24.5
 FOR 1977208-2,-4, DIM: 44.4

7 SEE PLATING DETAIL FOR DEFINITION OF CONTACT PLATING SURFACES.



RECOMMENDED PAD LAYOUT

CONTACT PLATING DETAIL

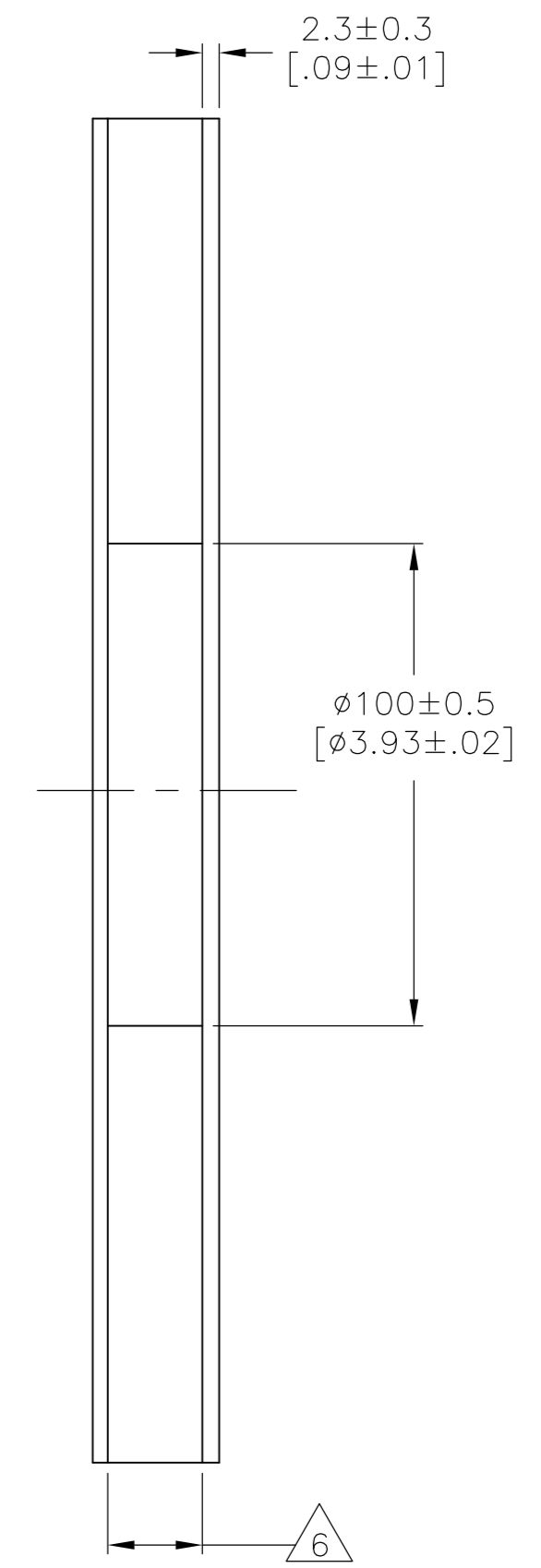
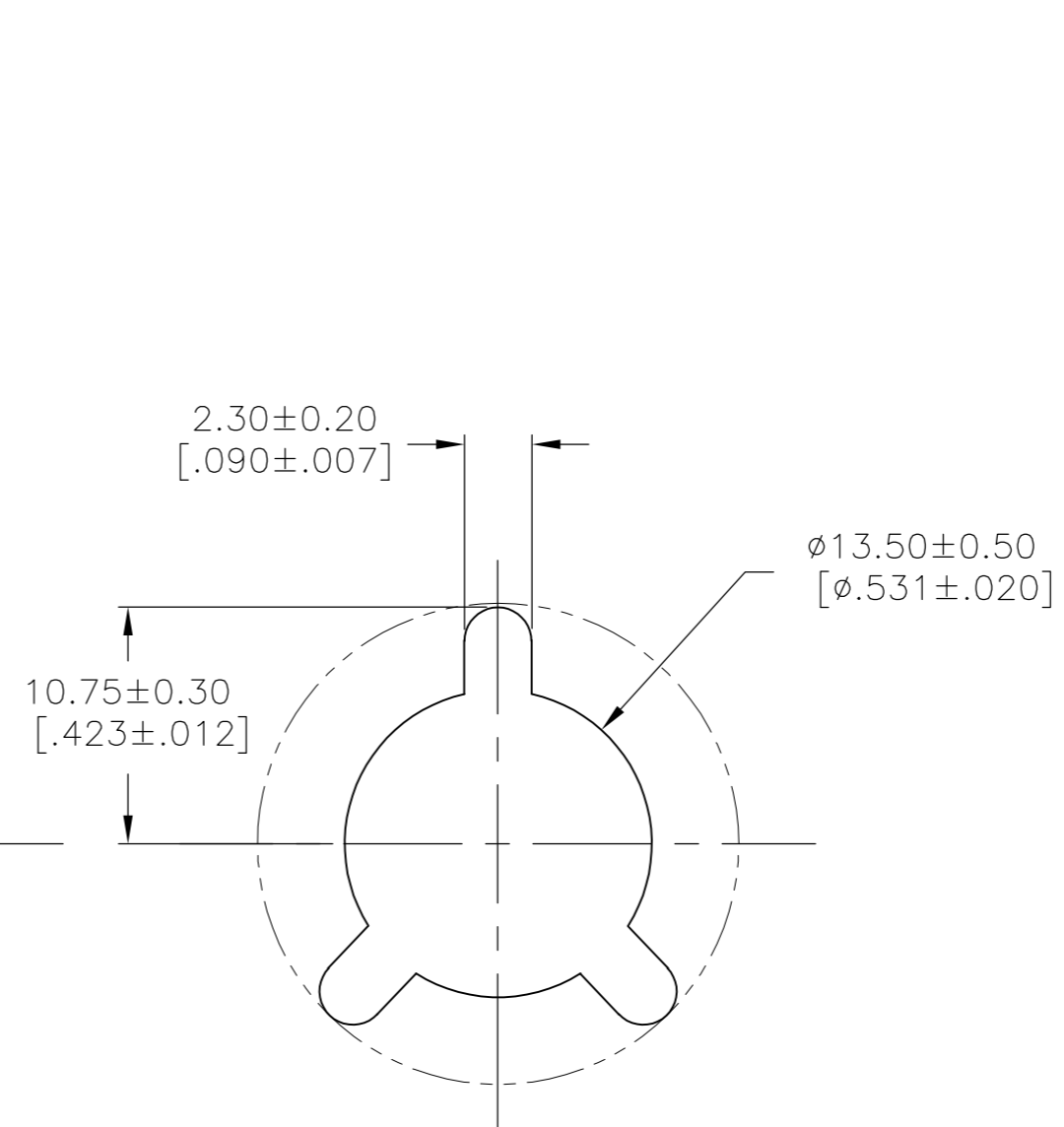
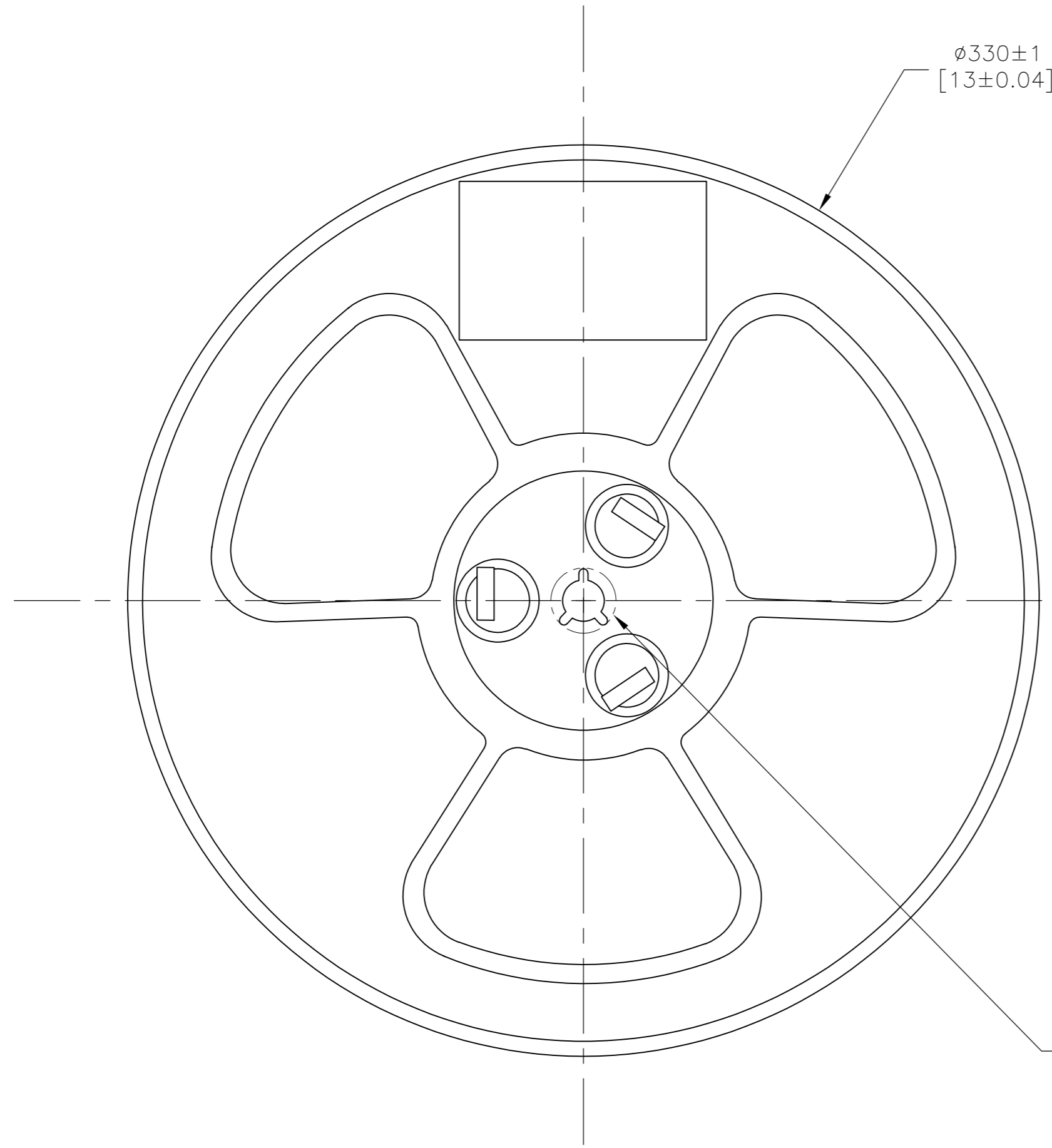


SHEAR EDGE NOT PLATED. ALL REMAINING SURFACES ARE SUPPLIED WITH GOLD-FLASH OVER NICKEL PLATING

1,2,3,4,5,6,7,8,1,2,3,4	T&R	NO	3.50 (.138)	32.50 (1.280)	12	ADF12SATR04900	1977208-4
5,6,7,8	T&R	NO		12.1 (.478)	4	ADF04SATR04900	1977208-3
1,2,3,4,5,6,7,8,1,2,3,4	T&R	YES	3.50 (.138)	32.50 (1.280)	12	ADF12SATTR04900	1977208-2
5,6,7,8	T&R	YES		12.1 (.478)	4	ADF04SATTR04900	1977208-1
MARKING	PKG.	TAPE SEAL	DIM H	DIM L	POLE	OLD T&B P/N	P/N

THIS DRAWING IS A CONTROLLED DOCUMENT.		DWN M.BINNER 30AUG07	TE Connectivity	
DIMENSIONS: mm [INCHES]		CHK M.SARVER		
TOLERANCES UNLESS OTHERWISE SPECIFIED:		APVD M.SARVER	NAME -	
0 PLC ± -	1 PLC ± -	PRODUCT SPEC -	DIP SWITCH, ADF-SMT SERIES, SPECIAL	
2 PLC ± 0.30[.012]	3 PLC ± -	APPLICATION SPEC -	SIZE A2	CAGE CODE -
4 PLC ± -	ANGLES ± -	WEIGHT -	DRAWING NO C=1977208	RESTRICTED TO -
MATERIAL -	FINISH -	CUSTOMER DRAWING	SCALE 4:1	SHEET 1 OF 2
			REV E	

REVISIONS					
P	LTR	DESCRIPTION	DATE	DWN	APVD
-	-	SEE SHEET 1	-	-	-



DETAIL A

DETAIL A (5:1)

1977208

THIS DRAWING IS A CONTROLLED DOCUMENT.		DWN M.BINNER	30AUG07	STE TE Connectivity	
DIMENSIONS: mm [INCHES]		CHK M.SARVER	APVD M.SARVER		
TOLERANCES UNLESS OTHERWISE SPECIFIED:		PRODUCT SPEC		NAME	
0 PLC ± - 1 PLC ± - 2 PLC ± 0.30[.012] 3 PLC ± - 4 PLC ± - ANGLES ± -		APPLICATION SPEC		DIP SWITCH, ADF-SMT SERIES, SPECIAL	
MATERIAL		WEIGHT		SIZE A2	RESTRICTED TO
FINISH		CUSTOMER DRAWING		CAGE CODE -	DRAWING NO C=1977208
		SCALE 4:1		SHEET 2 OF 2	REV E