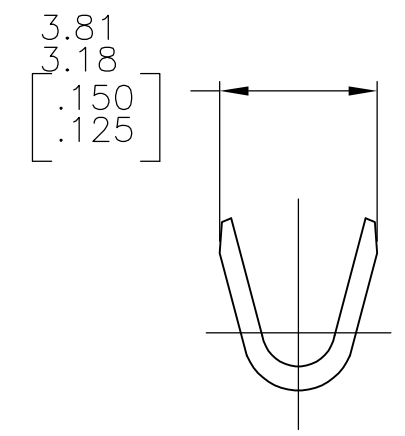
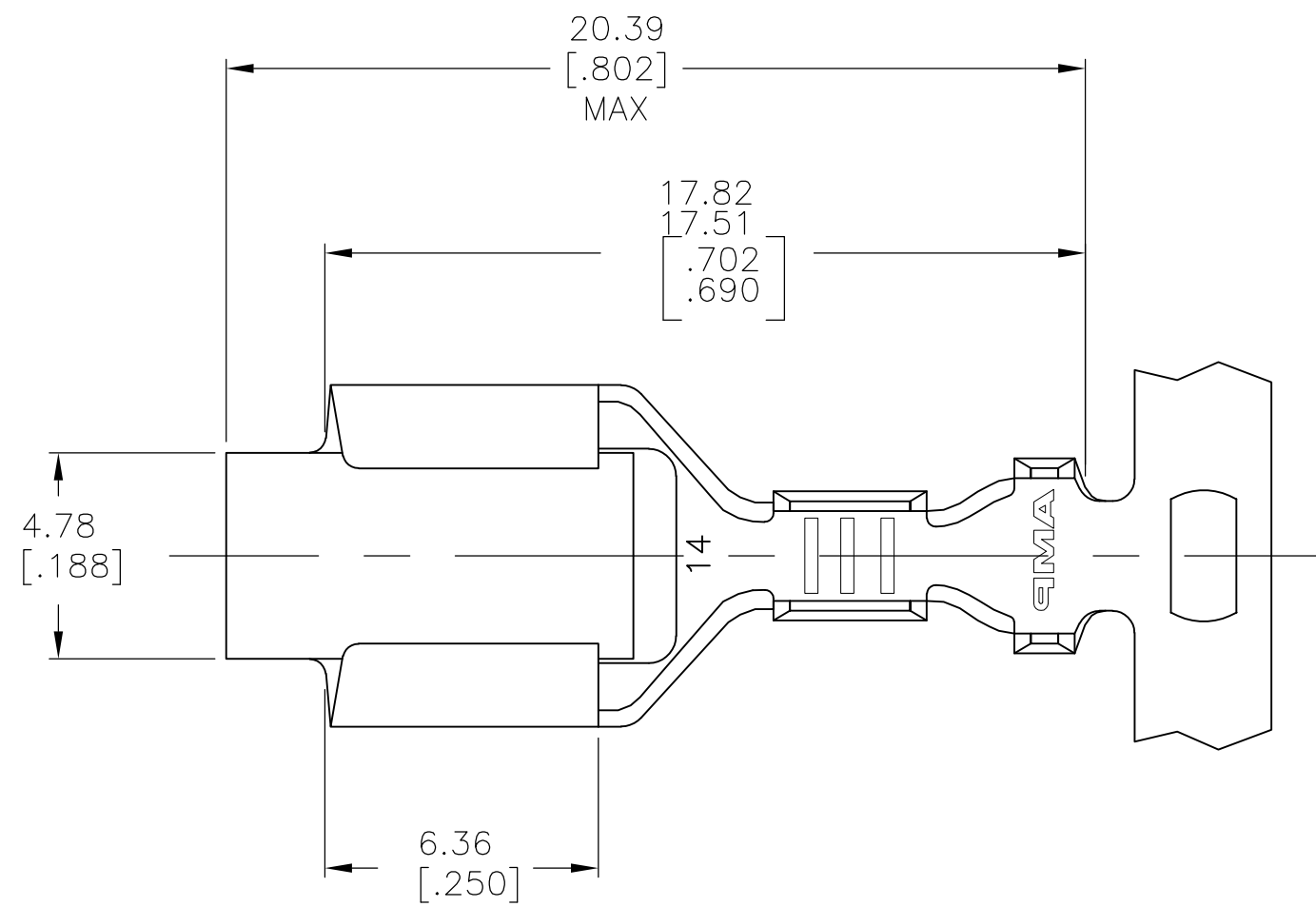
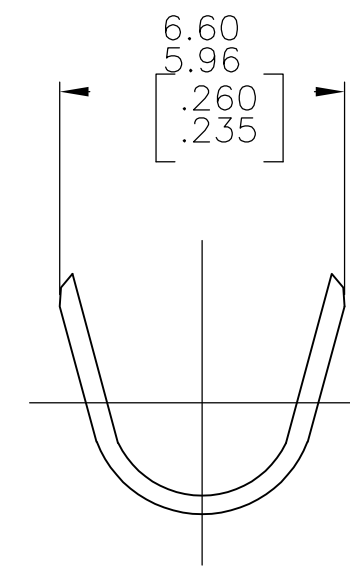
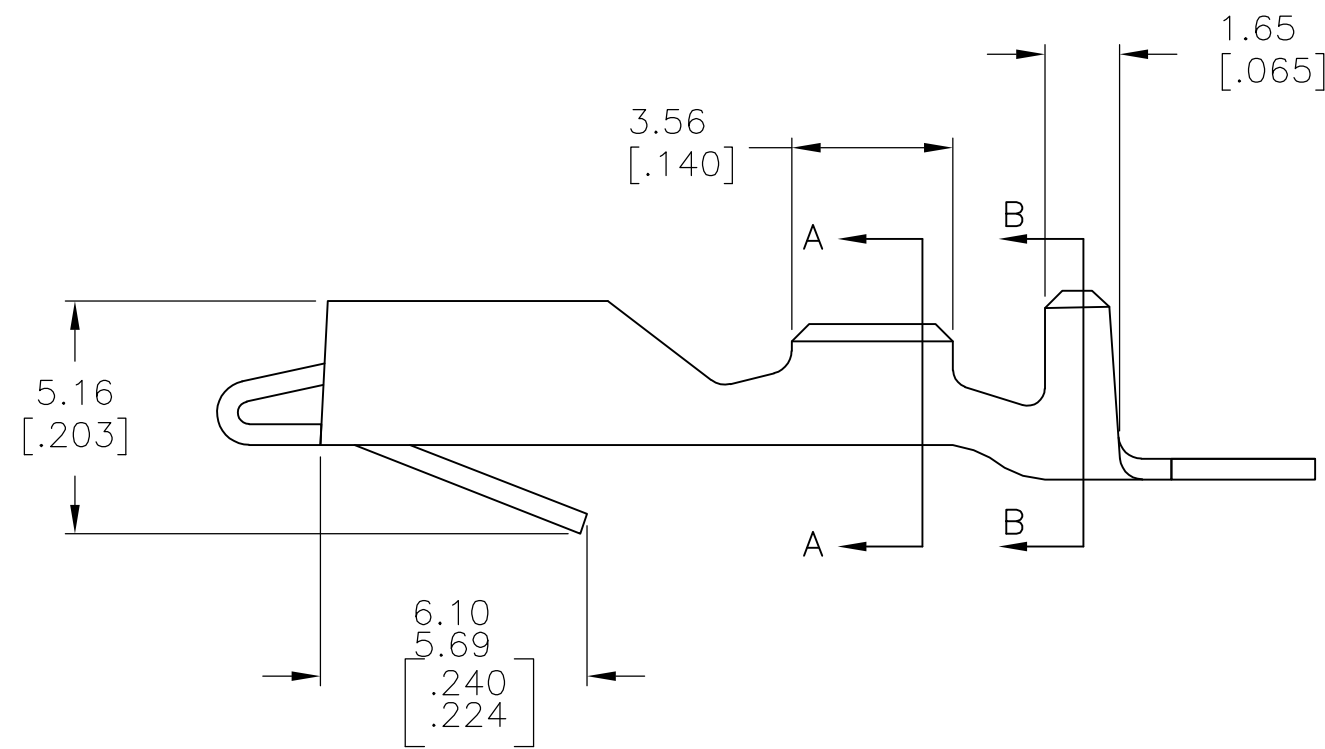
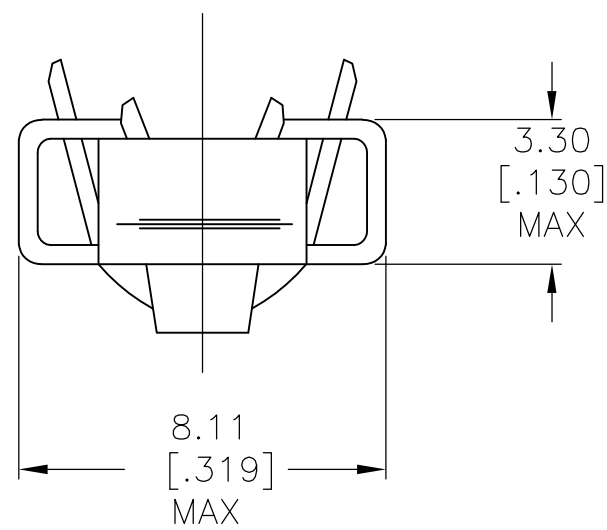


THIS DRAWING IS UNPUBLISHED. RELEASED FOR PUBLICATION  
 © COPYRIGHT BY TYCO ELECTRONICS CORPORATION. ALL RIGHTS RESERVED.

LOC	DIST	REVISIONS			
P	LTR	DESCRIPTION	DATE	DWN	APVD
AF	50	J	REVISED PER ECR-07-020153	15MAY08	HMR KR



SECTION A-A



SECTION B-B

PRE-TIN	.154 MAX	18-14	640418-2
NONE	.154 MAX	18-14	640418-1
FINISH	INSULATION RANGE	WIRE SIZE	PART NUMBER

THIS DRAWING IS A CONTROLLED DOCUMENT.		DWN RAGHAVENDRA 15MAY08	Tyco Electronics Corporation Harrisburg, Pa 17105-3608	
DIMENSIONS: mm [INCHES]		CHK RANDOLPH KURT 15MAY08	NAME	
TOLERANCES UNLESS OTHERWISE SPECIFIED:		APVD RANDOLPH KURT 15MAY08	PRODUCT SPEC	
0 PLC ± -		APPLICATION SPEC		
1 PLC ± -		WEIGHT -		
2 PLC ± -		SIZE A2		
3 PLC ± .015		CAGE CODE 00779		
4 PLC ± -		DRAWING NO C=640418		
ANGLES ± -		RESTRICTED TO		
FINISH SEE TABLE		SCALE 6:1		
MATERIAL BRASS		SHEET 1 OF 1		
CUSTOMER DRAWING		REV J		

640418

A