

Electro-magnetic door locks are the most convenient and effective way to achieve secure access control. This lock is rated at 600 pounds holding force and is supplied with a kit of fixing brackets & armature plate.

Installation

- Select door type from the following pages, use the instructions on each page
- Before you start: check off the contents list to identify the parts you will use
- Also check you have the correct tools to hand



Contents - DSL2701

| Item | Qty | Description |
|------|-----|--|
| 1 | 1 | Maglock – 600 Lbs |
| 2 | 8 | Screw No.8 x 1" CSK Pozi |
| 3 | 2 | Screw No.10 x 5/8" CSK Pozi |
| 4 | 4 | Screw M5 x 10mm CSK Pozi #2 |
| 5 | 2 | Anti tamper pin |
| 7 | 1 | Armature plate |
| 8 | 1 | Armature bolt - 35mm Long |
| 9 | 2 | Blanking disk |
| 10 | 2 | Armature Insert roll pins |
| 11 | 1 | Sleeve nut |
| 12 | 1 | Sleeve nut spacer tube |
| 13 | 2 | Armature bolt spacing washers - steel |
| 14 | 2 | Armature bolt spacing washers - Rubber |
| 15 | 1 | Allen Key – 5mm A/F |
| 16 | 1 | Fitting/Drilling Template |

Contents - EA320

| | | |
|----|---|---|
| 17 | 1 | "Z" Plate for alternative mounting – 90° Armature Mount |
| 18 | 1 | "Z" Plate for alternative mounting – 90° Angle plate |
| 19 | 1 | "L" Plate for alternative Maglock Mounting |
| 20 | 1 | Armature bolt - 25mm Long |
| 21 | 9 | M5 x 10mm CSK Pozi #2 |

This product is supplied with brackets & fixings for most door configurations

DEL600 Lock

| | |
|-------------------|--|
| Current Draw | 500mA/12V DC, 250mA/24VDC |
| Voltage Selection | via jumper |
| Lock Status LED | Red (powered) / Green (secured) |
| Holding Force | 600 Lb |
| Operational Temp | -20°C to 60°C |
| Approvals | UL864 |
| Packed Size | 300 x 190 x 100mm, 6385g |
| Lock Dims | 250 x 47 x 27mm |

Order Codes for AXS Accessories

| | |
|------------------|--|
| MAG LOCKS | |
| DEL600 | Door Lock 600 lbs with brackets |
| DEL1200 | Door Lock 1200 lbs with brackets (incl door sensor) |
| DEGL1200 | Gate Lock 1200 lbs with brackets |
| PSU | |
| DEPSU03 | Power Supply in Wall Box, 120V, 6A/12V o/p |
| SWITCHES | |
| DEEX010 | Remote Exit Switch (IR) |
| DEEM010 | Emergency Override Switch with Siren |

Select door type on following pages

FOR SINGLE HINGE DOOR ABOVE DOOR
FOR SINGLE HINGE DOOR INSIDE FRAME
FOR SLIDING DOOR

You will also need

POZI #2 AND #1 SCREWDRIVER
5MM HEX BIT DRIVER
THREAD LOCKING COMPOUND



Wiring Connections

12 V Operation

Remove the cover

Set the Jumper to 12 V

Connect +12V to terminal 1

Connect 0V to terminal 2

Replace the cover

24 V Operation

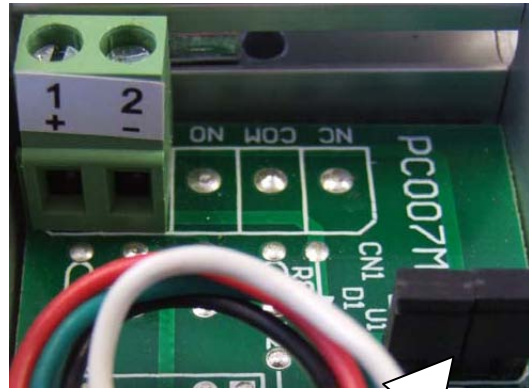
Remove the cover

Set the Jumper to 24 V

Connect +24V to terminal 1

Connect 0V to terminal 2

Replace the cover



12V DC 0.5A (Min)



24V DC 0.25A (Min)

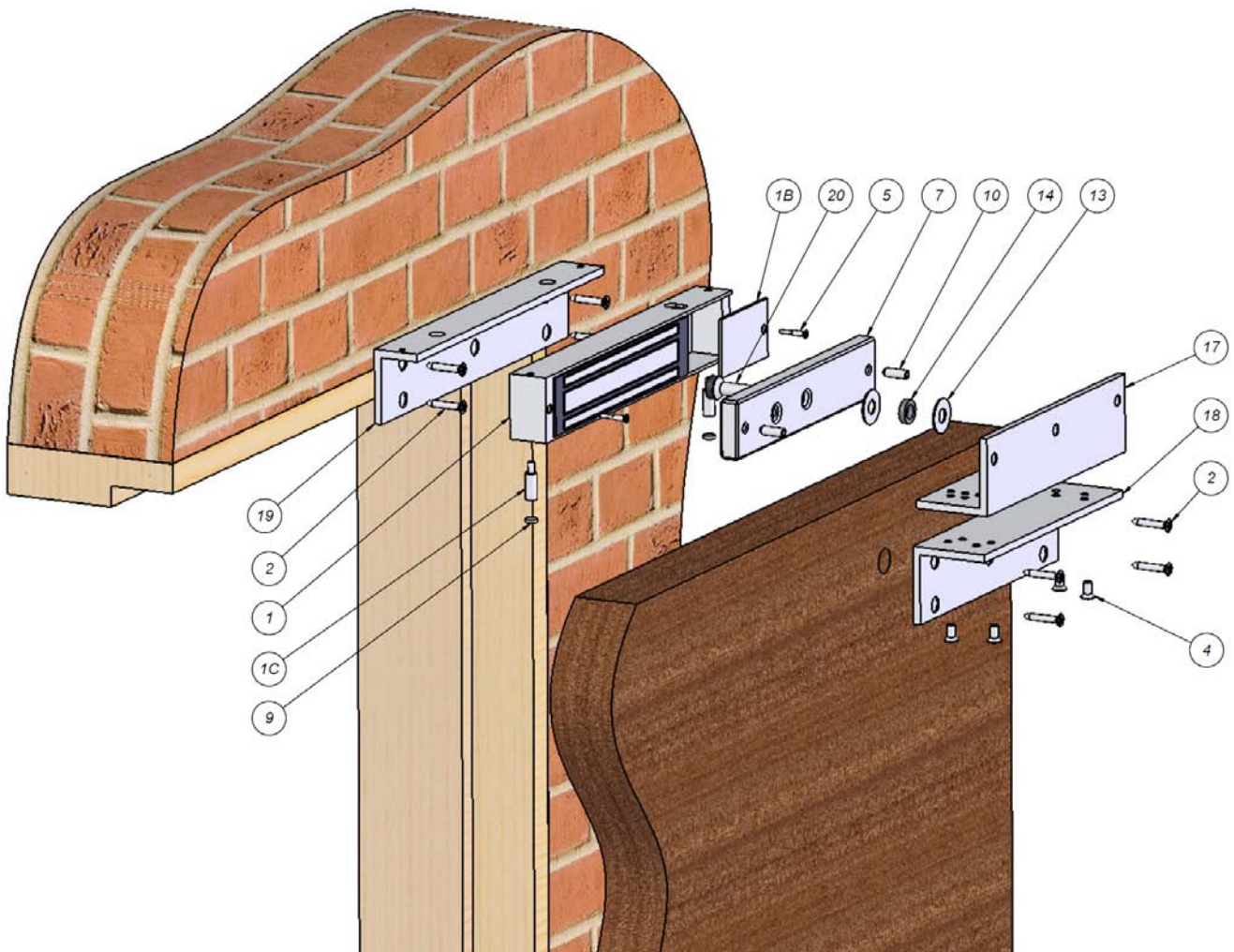
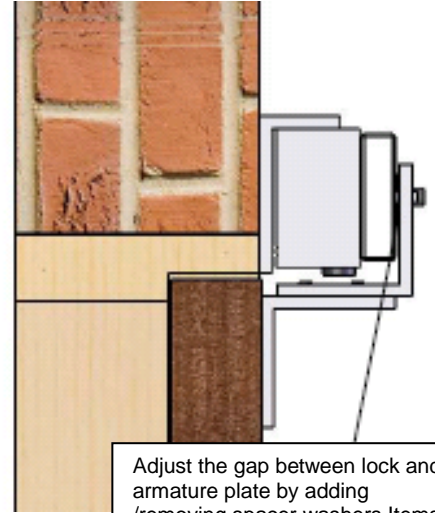


**SELECT CORRECT JUMPER SETTING
FOR VOLTAGE USED**



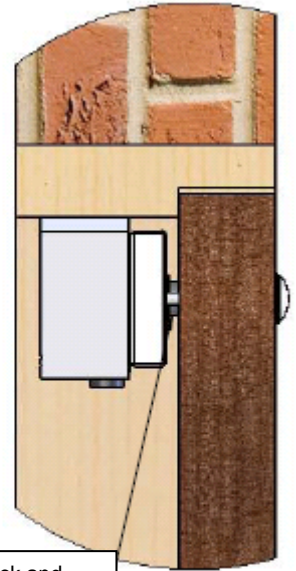
Installation Above Door

1. Check off the contents and ensure you have the tools required.
2. Use the drill template to install the L bracket Item 19 above the door.
3. Check the door still closes.
4. Fit the maglock to the L bracket using 2 Security Screws Item 1C.
5. Assemble both Z plates and the Armature plate together as shown.
6. Close the door and use the Z plate to mark the door for drilling.
7. Fit the Armature assembly to the door.
8. Check that the Armature plate and mag lock are aligned.
9. Use rubber spacer washers (or use alternate Z bracket fixing positions) to ensure that the Armature plate and Mag Lock just touch.
10. Set the jumper to correct voltage, connect wiring and test. Replace cover plate.

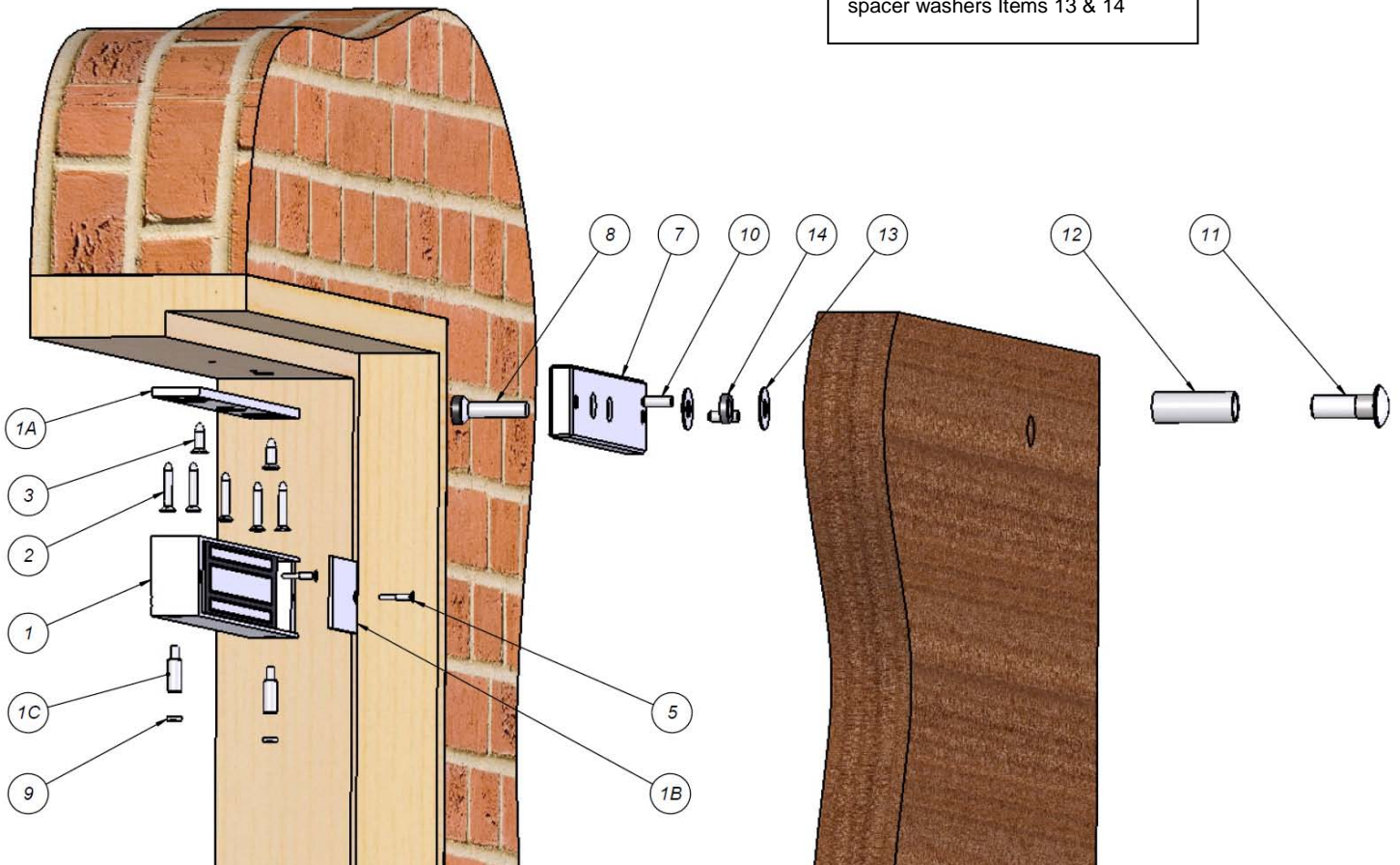


Installation Inside Frame

1. Check off the contents and ensure you have the tools required.
2. Use the drill template to install the mounting bracket Item 1A inside the door frame.
3. Drill frame for cable entry and run cable for maglock.
4. Fit the maglock to the bracket using 2 Security Screws Item 1C.
5. Close the door and use the armature to mark the door for drilling.
6. Fit the Armature to the door.
7. Make sure the Armature and mag lock are aligned.
8. Use spacer washers to get the Armature plate and Mag Lock to just touch.
9. Set the jumper to correct voltage, connect wiring and test.



Adjust the gap between lock and armature plate by adding /removing spacer washers Items 13 & 14



Installation for Sliding Door

1. Check off the contents and ensure you have the tools required.
2. Use the drill template to install the mounting bracket Item 1A to the door frame.
3. Fit the maglock to the bracket using 2 Security Screws Item 1C.
4. Close the door and use the Z plate item 17 to mark the door for drilling.
5. Fit the Z plate and Armature to the door.
6. Make sure the Armature and mag lock are aligned.
7. Use spacer washers to get the Armature plate and Mag Lock to just touch -----
8. Set the jumper to correct voltage, connect wiring and test.

