

Data Sheet

SM01Y01VXNN0G1 15-inch reel solder pad/solder side

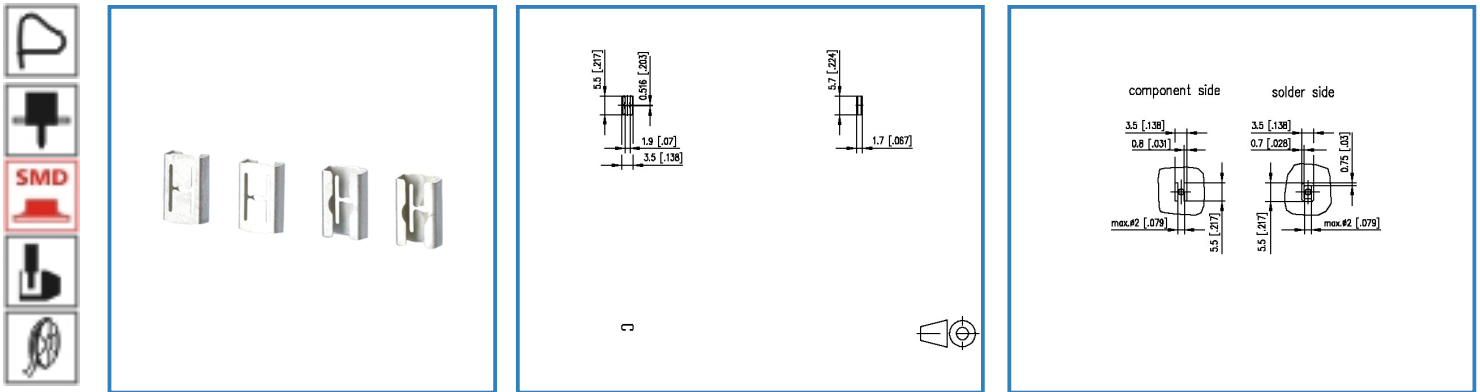
Page 1/6

P/N

ASM01Y0164-0G16

2017/05/05

Illustration



see enlarged drawing at the end of the document

Product specification

- spring clamp terminal block, SMT solderable
- direction of connection vertical 0°
- Tape & Reel packaging

© 2017 METZ CONNECT - Technische Änderungen vorbehalten! Subject to modifications! Sous réserve de modifications techniques!



Data Sheet

SM01Y01VXNN0G1 15-inch reel solder pad/solder side

Technical Data

General Data

min. number of poles	1
max. number of poles	1
protection category	IP 00
Min. insul. strip length	4 mm

Connection data

Rated wiring solid wire	0.75 - 1.5 mm ² / AWG 18 - 16
-------------------------	--

Approvals

0.75 - 1.5 mm ²	AWG 18 - 16 / 13 A
----------------------------	--------------------

Material

contact material	CuBe
contact surface	Ni + Sn

General

solderability	Acc. to IPC/JEDEC J-STD-020D-MSL 1
Tolerance	ISO 2768 -mH

Safety instructions

Components have to be fixed in a way to prevent any transmission of forces on to the contact. Components with more than one pin are recommended.



Data Sheet

SM01Y01VXNN0G1 15-inch reel solder pad/solder side

Matching Part

P/N	Product name
709023 (on request)	Tape_ASM01Y_16mm

Matching Part to

P/N	Product name
709023 (on request)	Tape_ASM01Y_16mm

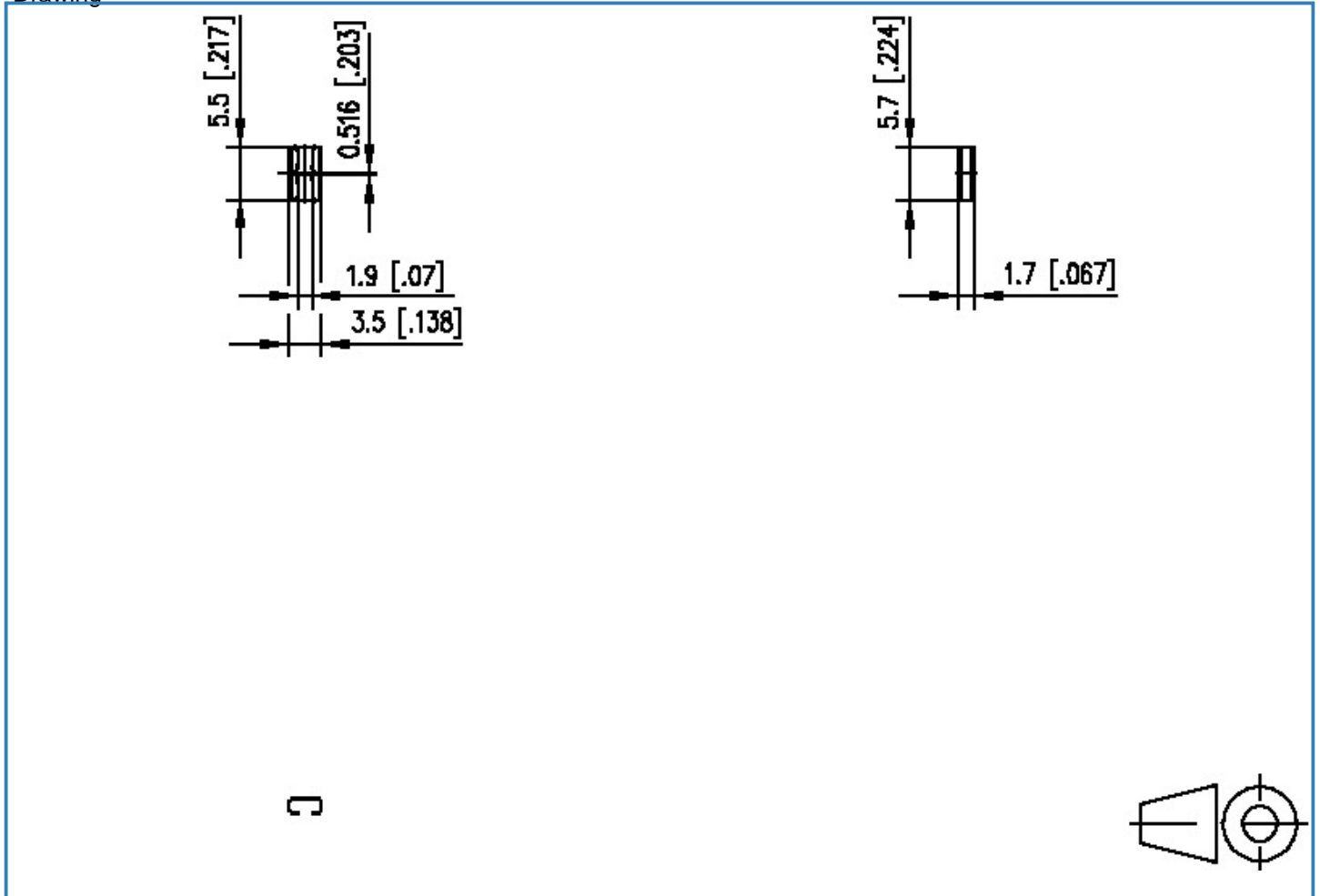


Data Sheet

SM01Y01VXNN0G1 15-inch reel solder pad/solder side

Illustration

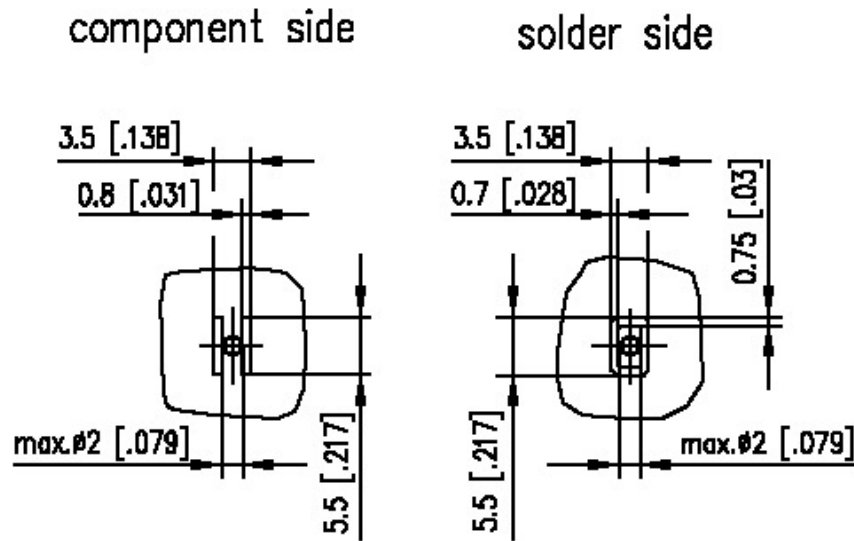
Drawing



Data Sheet

SM01Y01VXNN0G1 15-inch reel solder pad/solder side

PCB Layout



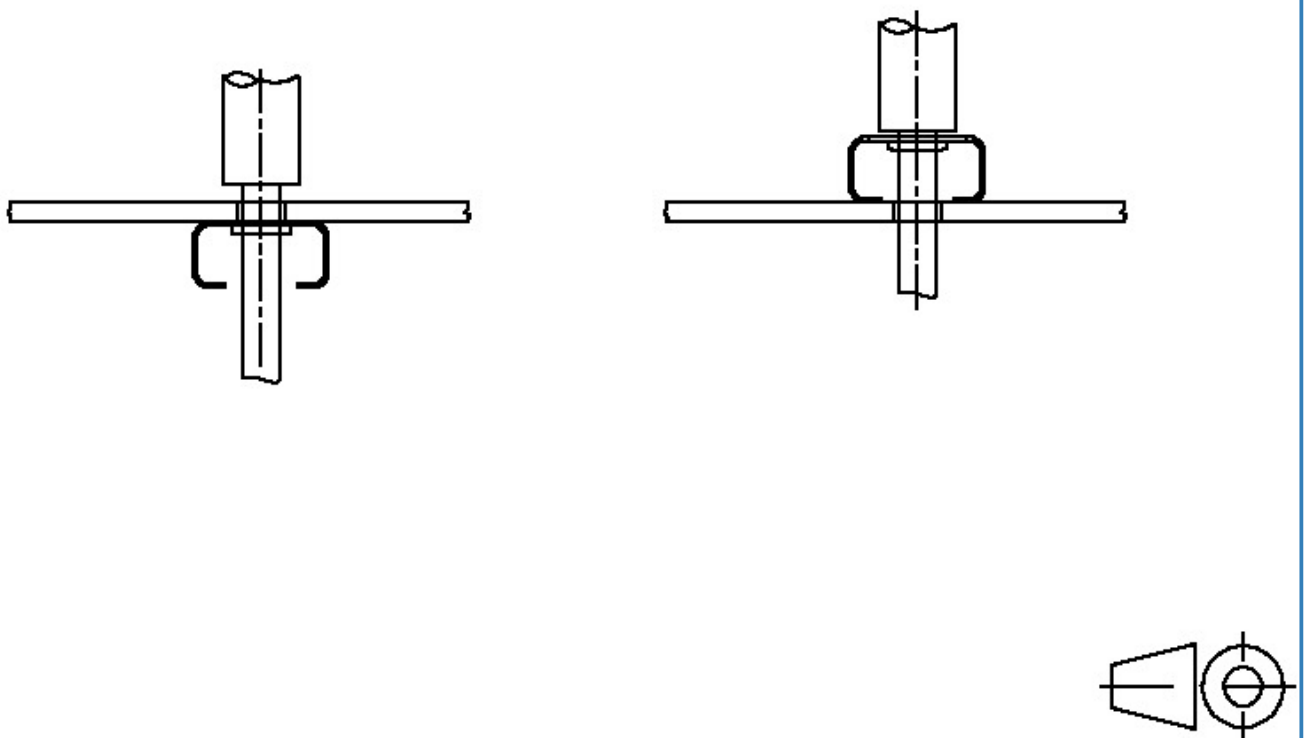
Data Sheet
SM01Y01VXNN0G1 15-inch reel solder pad/solder side

Page 6/6

P/N

ASM01Y0164-0G16

2017/05/05



© 2017 METZ CONNECT - Technische Änderungen vorbehalten! Subject to modifications! Sous réserve de modifications techniques!

