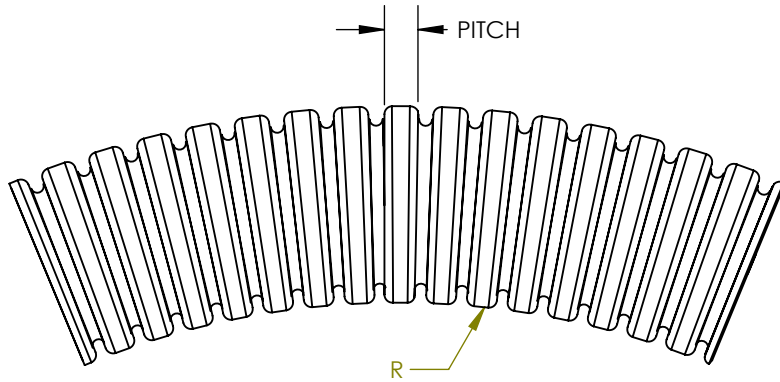
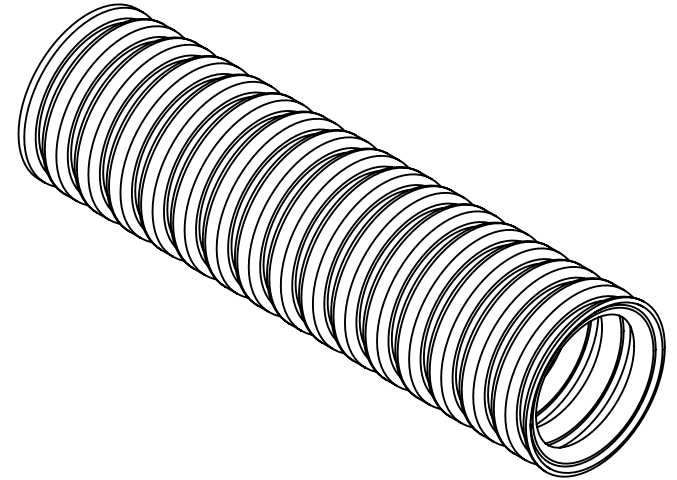
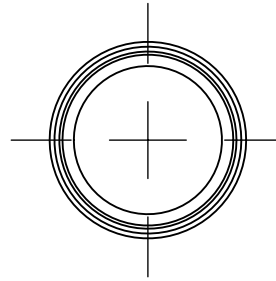
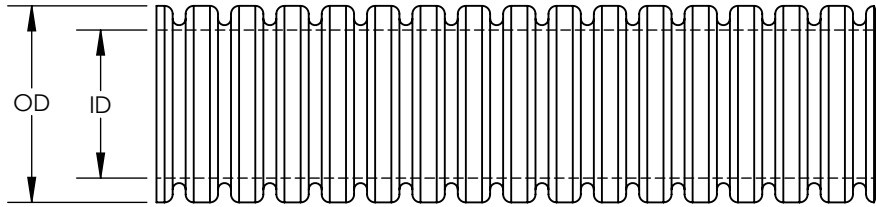


SW2014



| | | | | | | | |
|----------------|----------------|------|-----------------|---------|------------|----------|------------|
| Revision level | | | Revision Record | Changed | Date | Approved | Date |
| Drawing | State | Part | | | | | |
| 00.0 | Design Release | | SEE ECN# 013582 | GRW | 10/12/2016 | KAC | 10/12/2016 |



| Conduit Size | | Euro Size | Pitch | HellermannTyton | Man'f Part | Outside Dimension (OD) | | Inside Dimension (ID) | | Minimum Bend Radius | Compression Strength | Weight |
|--------------|----|-----------|--------|-----------------|------------|------------------------|------|-----------------------|------|---------------------|----------------------|------------|
| in. | mm | (NW) | F or C | Item Number | Reference | in | mm | in | mm | mm | kg/100mm | lbs / foot |
| 5/16 | 13 | 10 | F | HG-HI0310 | FPI13 | 0.51 | 13 | 0.39 | 9.8 | 25 | 75 | 0.019 |
| 3/8 | 16 | 12 | F | HG-HI0380 | FPI16 | 0.63 | 15.8 | 0.47 | 11.8 | 30 | 45 | 0.024 |
| 1/2 | 21 | 17 | F | HG-HI0500 | FPI21 | 0.84 | 21.2 | 0.66 | 16.7 | 35 | 45 | 0.037 |
| 3/4 | 28 | 23 | C | HG-HI0750 | FPI28 | 1.13 | 28.5 | 0.86 | 22.8 | 45 | 70 | 0.062 |
| 1 | 34 | 29 | C | HG-HI1000 | FPI34 | 1.36 | 34.5 | 1.11 | 28.1 | 55 | 70 | 0.081 |
| 1.25 | 42 | 36 | C | HG-HI1250 | FPI42 | 1.68 | 42.5 | 1.40 | 35.5 | 60 | 70 | 0.108 |
| 1.5 | 54 | 48 | C | HG-HI1500 | FPI54 | 2.15 | 54.5 | 1.86 | 47.2 | 70 | 50 | 0.148 |
| 2 | 67 | 56 | C | HG-HI1500 | FPI54 | 2.65 | 67.2 | 2.22 | 56.3 | 120 | 50 | 0.23 |

Material
PA12

Units: **inches**
 Dimension without tolerances details to:
 .xxxx = ±.0005
 .xxx = ±.005
 .xx = ±.01
 .x = ±.03
 None = ±.06
 < = ±0.5°
 Dimension Formatted in/[mm]

The copyright of this drawing is reserved by HellermannTyton. It is issued on condition that it is not reproduced, copied, or disclosed to a third party, either wholly or in part, without the consent of HellermannTyton.

Drawn GRW 10/12/2016
 Approved KAC 10/12/2016

HellermannTyton
 North America
 Email: corp@htamericas.com
 Web: www.hellermann.tyton.com

Article/Type-No HG-HI SERIES
 Title **HELAGUARD STANDARD WEIGHT HIGH IMPACT NYLON CONDUIT**
 Drawing-No PRODUCTION : Phase
15-0774-001-CSU

Scale 2:1
 Project Number PRP 15-0774
 Format AH
 Sheet 1/1