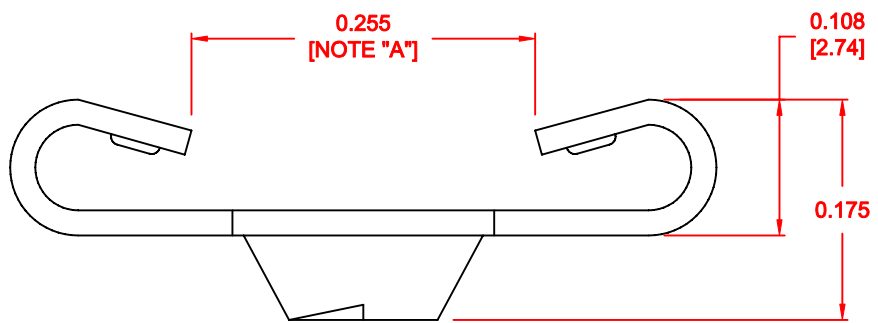
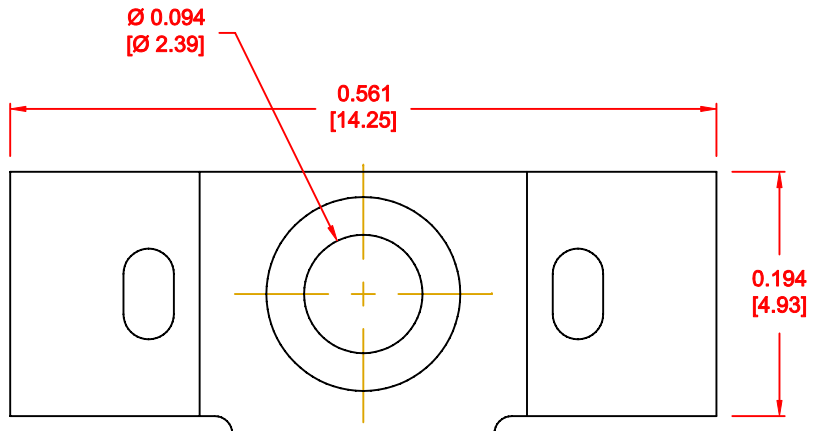
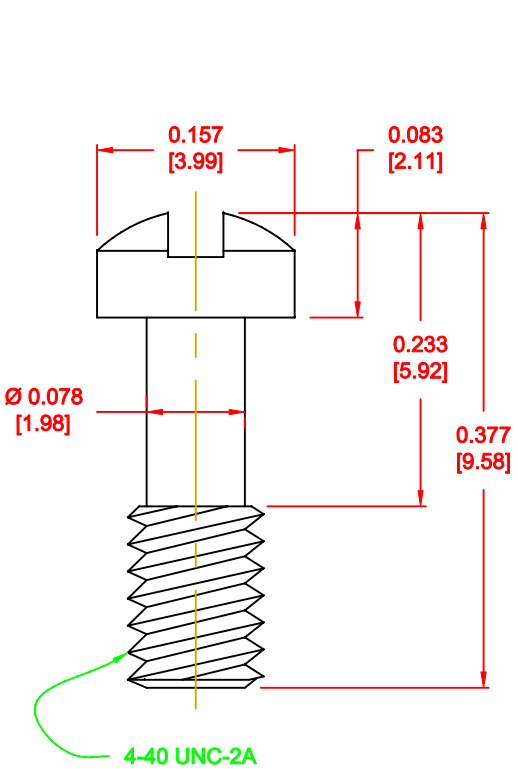


DESCRIPTION: 4-40 MALE SCREWLOCK / CLIP-ON

PART NUMBER	SCREW PART NUMBER	CLIP PART NUMBER	PLATING
KIT = 160-000-001R031	SSH-440-1-T	RSO-1-T	NICKEL
BULK = 160-000-001R032	SSH-440-1-T	RSO-1-T	NICKEL



**KIT INCLUDES:**

- (IN SEALED BAG)
- 2-SCREWS
- 2-CLIPS

**MATERIAL:**

- SCREW: STEEL, NICKEL PLATED
- CLIP: STEEL, NICKEL PLATED

NOTE "A" - FLEXIBLE SPRING STEEL ALLOWS RETENTION FOR DIFFERENT CONNECTOR THICKNESS

FOR CLARITY  
HIDDEN LINES  
NOT SHOWN

DO NOT SCALE FROM DRAWING

RoHS COMPLIANT

	THESE DRAWINGS AND SPECIFICATIONS ARE THE PROPERTY OF NorComp AND SHALL NOT BE REPRODUCED, COPIED OR USED AS THE BASIS FOR THE MANUFACTURE OF SALE OF APPARATUS WITHOUT WRITTEN PERMISSION.	DRAWN: C. SMITH	DATE: 01-25-08
		CHECKED:	DATE:
<h1>NorComp</h1>	SCALE: 6 : 1	SHEET 1 OF 1	REV 4
	DWG NO. 160-000-001R0YY		