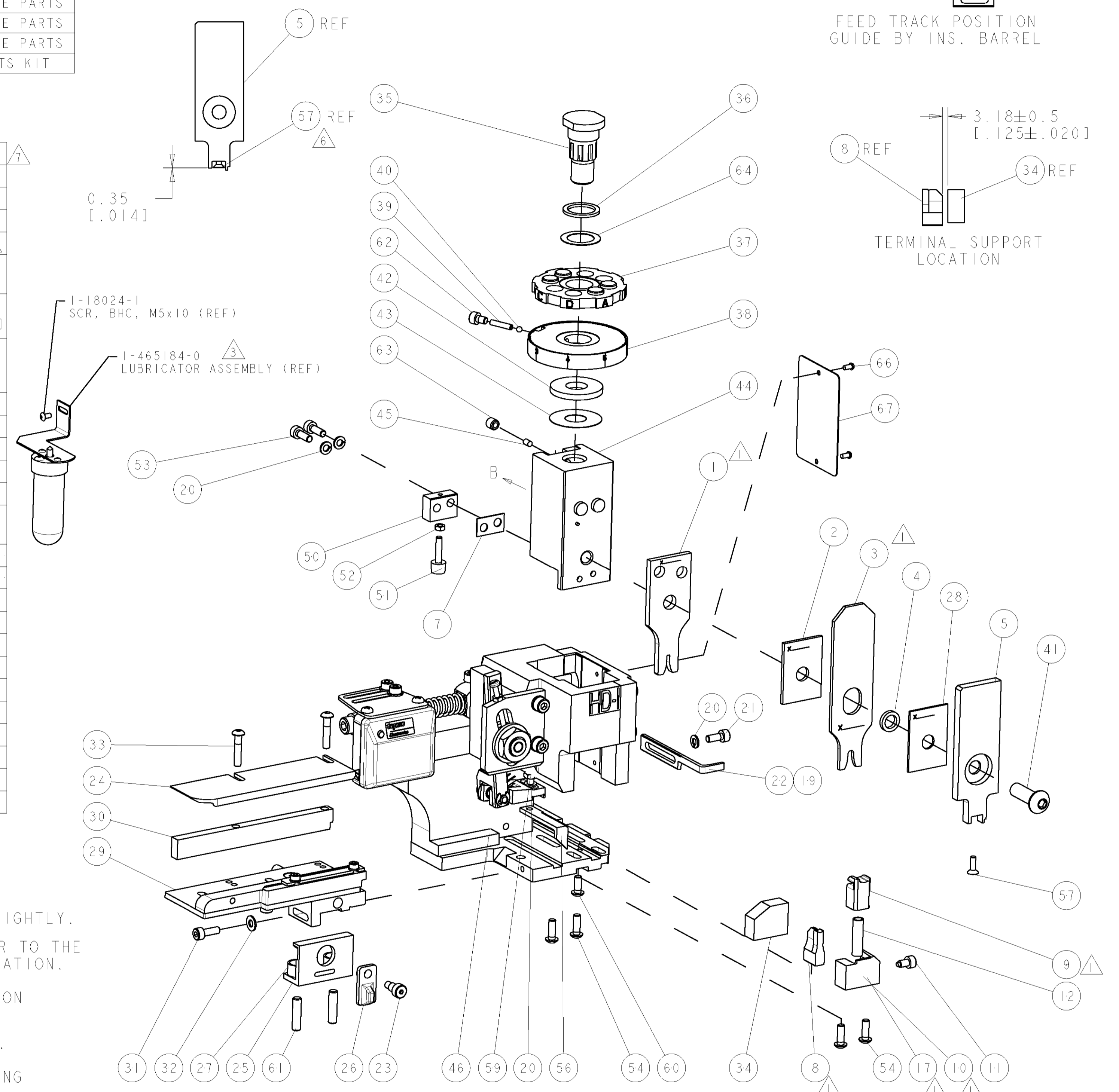
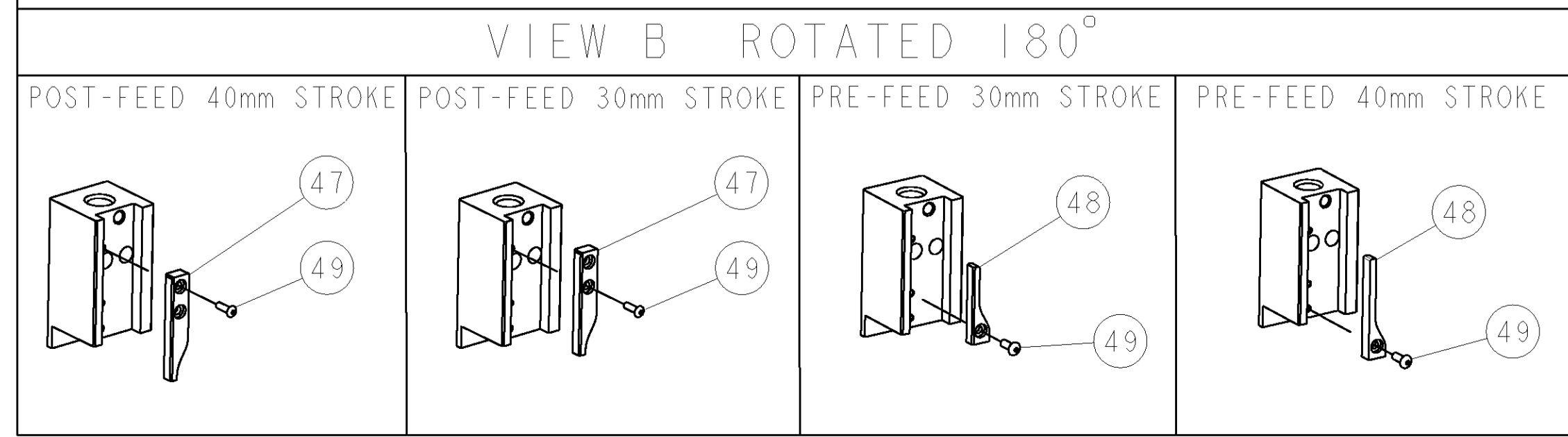


| PART NUMBER | REV | TERMINATOR | FEED TYPE | DESCRIPTION |
|-------------|-----|------------|----------------|--------------------|
| 1426643-1 | A | LEADMAKER | MECH POST FEED | CUTS CARRIER |
| 1426643-2 | A | BENCH | MECH PRE FEED | CUTS CARRIER |
| 1426643-6 | A | LEADMAKER | MECH POST FEED | CONTINUOUS CARRIER |
| 7-1426643-1 | A | LEADMAKER | MECH POST FEED | -1 AND SPARE PARTS |
| 7-1426643-2 | A | BENCH | MECH PRE FEED | -2 AND SPARE PARTS |
| 7-1426643-6 | A | LEADMAKER | MECH POST FEED | -6 AND SPARE PARTS |
| 7-1426643-7 | A | - | - | SPARE PARTS KIT |

| CRIMP DATA | | DELPHI TERMINAL | | DELPHI CRIMP SPECS | |
|---|--------------------------------|----------------------|-----------------------------|--------------------|--|
| TERMINAL NAME: TAXI TERMINAL F M/P 150 TANG | | | | | |
| CRIMP | SIZE | TYPE | RANGE | | |
| WIRE | 1.78 [.070 IN] | F | 0.35-0.50mm ² | | |
| INSUL | 4.06 [.160 IN] | O | 1.30-2.20 [.051- .087 IN] | | |
| WIRE STRIP LENGTH | | APPL INSTRUCTIONS | | | |
| 5.60 [.220 IN] | | 408-8322 | | | |
| TERMINAL APPL SPEC | | FEED | | | |
| - | | 12.27 [.483 IN] | | | |
| TERMINALS APPLIED | | | | | |
| TYCO TERM PN | MANUF TERM PN | TYCO SEAL PN | MANUF SEAL PN | | |
| 286933-1 | 12084200 | 286934-1 | 12052925 | | |
| 286933-2 | 12160222 | 286934-2 | 15324974 | | |
| 286933-3 | 15326396 | 1572277-1 | 12048087 | | |
| WIRE SIZE | CRIMP HEIGHT | PINPN & LENGTH [IN] | | | |
| 0.50mm ² | 0.95 ± 0.05 [.037 ± .002 IN] | 1-354779-2 [.3050] | | | |
| 0.35mm ² | 0.85 ± 0.05 [.033 ± .002 IN] | 2-354779-0 [.3090] | | | |

- △ RECOMMENDED SPARE PARTS.
- 2. GREASE RAM, CAM, CAM FOLLOWER AND FEED ROD LIGHTLY.
- △ CERTAIN TERMINALS REQUIRE LUBRICATION. REFER TO THE APPLICATOR INSTRUCTION SHEET FOR MORE INFORMATION.
- 4. LUBRICATE DAILY PER THE APPLICATOR INSTRUCTION SHEET SUPPLIED WITH THE APPLICATOR.
- △ THIS APPLICATOR APPLIES TERMINAL WITH A SEAL. INSULATION DIA QUOTED IS RANGE OF TERMINAL. WIRE INSULATION DIA IS DEPENDENT ON SEAL BEING APPLIED. SEAL PMS AS SHOWN ABOVE, INS. DIA RANGE IS 1.29-1.70.
- △ APPLY TORQ-SEAL IN ALLEN SOCKET TO FILL HOLE AFTER FLAT HD HAS BEEN ADJUSTED TO CORRECT HEIGHT AT QUALIFICATION. APPLY #1-23419-5 LOC-TITE TO THREADS.
- △ CRIMP DATA SUPPLIED BY THE TERMINAL MANUFACTURER.
- △ SEE DELPHI DATA SHEET FOR SPECIFIC WIRE DETAILS.



| SET UP GAGE 458637-3 | | LOC | DIST | REVISIONS | | | |
|----------------------|-----|-------------------|-----------|-----------|------|--|--|
| P | LTR | DESCRIPTION | DATE | BY | APPD | | |
| 2 | | DRAWING MODIFIED | 11JUL2007 | LJL | MC | | |
| A | | SEE ECO-07-019468 | 20AUG2007 | LJL | MC | | |

| QTY | UNIT | DESCRIPTION | ITEM NO |
|-----|------|-------------|---------|
| - | - | - | 73 |
| - | - | - | 72 |
| - | - | - | 71 |
| - | - | - | 70 |
| - | - | - | 69 |
| - | - | - | 68 |
| - | - | - | 67 |
| - | - | - | 66 |
| - | - | - | 65 |
| - | - | - | 64 |
| - | - | - | 63 |
| - | - | - | 62 |
| - | - | - | 61 |
| - | - | - | 60 |
| - | - | - | 59 |
| - | - | - | 58 |
| - | - | - | 57 |
| - | - | - | 56 |
| - | - | - | 55 |
| - | - | - | 54 |
| - | - | - | 53 |
| - | - | - | 52 |
| - | - | - | 51 |
| - | - | - | 50 |
| - | - | - | 49 |
| - | - | - | 48 |
| - | - | - | 47 |
| - | - | - | 46 |
| - | - | - | 45 |
| - | - | - | 44 |
| - | - | - | 43 |
| - | - | - | 42 |
| - | - | - | 41 |
| - | - | - | 40 |
| - | - | - | 39 |
| - | - | - | 38 |
| - | - | - | 37 |
| - | - | - | 36 |
| - | - | - | 35 |
| - | - | - | 34 |
| - | - | - | 33 |
| - | - | - | 32 |
| - | - | - | 31 |
| - | - | - | 30 |
| - | - | - | 29 |
| - | - | - | 28 |
| - | - | - | 27 |
| - | - | - | 26 |
| - | - | - | 25 |
| - | - | - | 24 |
| - | - | - | 23 |
| - | - | - | 22 |
| - | - | - | 21 |
| - | - | - | 20 |
| - | - | - | 19 |
| - | - | - | 18 |
| - | - | - | 17 |
| - | - | - | 16 |
| - | - | - | 15 |
| - | - | - | 14 |
| - | - | - | 13 |
| - | - | - | 12 |
| - | - | - | 11 |
| - | - | - | 10 |
| - | - | - | 9 |
| - | - | - | 8 |
| - | - | - | 7 |
| - | - | - | 6 |
| - | - | - | 5 |
| - | - | - | 4 |
| - | - | - | 3 |
| - | - | - | 2 |
| - | - | - | 1 |

| QTY | UNIT | DESCRIPTION | ITEM NO |
|-----|------|-------------|---------|
| - | - | - | 84 |
| - | - | - | 83 |
| - | - | - | 82 |
| - | - | - | 81 |
| - | - | - | 80 |
| - | - | - | 79 |
| - | - | - | 78 |
| - | - | - | 77 |
| - | - | - | 76 |
| - | - | - | 75 |
| - | - | - | 74 |

| QTY | UNIT | DESCRIPTION | ITEM NO |
|-----|------|-------------|---------|
| - | - | - | 84 |
| - | - | - | 83 |
| - | - | - | 82 |
| - | - | - | 81 |
| - | - | - | 80 |
| - | - | - | 79 |
| - | - | - | 78 |
| - | - | - | 77 |
| - | - | - | 76 |
| - | - | - | 75 |
| - | - | - | 74 |

| QTY | UNIT | DESCRIPTION | ITEM NO |
|-----|------|-------------|---------|
| - | - | - | 84 |
| - | - | - | 83 |
| - | - | - | 82 |
| - | - | - | 81 |
| - | - | - | 80 |
| - | - | - | 79 |
| - | - | - | 78 |
| - | - | - | 77 |
| - | - | - | 76 |
| - | - | - | 75 |
| - | - | - | 74 |

| QTY | UNIT | DESCRIPTION | ITEM NO |
|-----|------|-------------|---------|
| - | - | - | 84 |
| - | - | - | 83 |
| - | - | - | 82 |
| - | - | - | 81 |
| - | - | - | 80 |
| - | - | - | 79 |
| - | - | - | 78 |
| - | - | - | 77 |
| - | - | - | 76 |
| - | - | - | 75 |
| - | - | - | 74 |

| QTY | UNIT | DESCRIPTION | ITEM NO |
|-----|------|-------------|---------|
| - | - | - | 84 |
| - | - | - | 83 |
| - | - | - | 82 |
| - | - | - | 81 |
| - | - | - | 80 |
| - | - | - | 79 |
| - | - | - | 78 |
| - | - | - | 77 |
| - | - | - | 76 |
| - | - | - | 75 |
| - | - | - | 74 |

| QTY | UNIT | DESCRIPTION | ITEM NO |
|-----|------|-------------|---------|
| - | - | - | 84 |
| - | - | - | 83 |
| - | - | - | 82 |
| - | - | - | 81 |
| - | - | - | 80 |
| - | - | - | 79 |
| - | - | - | 78 |
| - | - | - | 77 |
| - | - | - | 76 |
| - | - | - | 75 |
| - | - | - | 74 |

| QTY | UNIT | DESCRIPTION | ITEM NO |
|-----|------|-------------|---------|
| - | - | - | 84 |
| - | - | - | 83 |
| - | - | - | 82 |
| - | - | - | 81 |
| - | - | - | 80 |
| - | - | - | 79 |
| - | - | - | 78 |
| - | - | - | 77 |
| - | - | - | 76 |
| - | - | - | 75 |
| - | - | - | 74 |

| QTY | UNIT | DESCRIPTION | ITEM NO |
|-----|------|-------------|---------|
| - | - | - | 84 |
| - | - | - | 83 |
| - | - | - | 82 |
| - | - | - | 81 |
| - | - | - | 80 |
| - | - | - | 79 |
| - | - | - | 78 |
| - | - | - | 77 |
| - | - | - | 76 |
| - | - | - | 75 |
| - | - | - | 74 |

| QTY | UNIT | DESCRIPTION | ITEM NO |
|-----|------|-------------|---------|
| - | - | - | 84 |
| - | - | - | 83 |
| - | - | - | 82 |
| - | - | - | 81 |
| - | - | - | 80 |
| - | - | - | 79 |
| - | - | - | 78 |
| - | - | - | 77 |
| - | - | - | 76 |
| - | - | - | 75 |
| - | - | - | 74 |

| QTY | UNIT | DESCRIPTION | ITEM NO |
|-----|------|-------------|---------|
| - | - | - | 84 |
| - | - | - | 83 |
| - | - | - | 82 |
| - | - | - | 81 |
| - | - | - | 80 |
| - | - | - | 79 |
| - | - | - | 78 |
| - | - | - | 77 |
| - | - | - | 76 |
| - | - | - | 75 |
| - | - | - | 74 |

| QTY | UNIT | DESCRIPTION | ITEM NO |
|-----|------|-------------|---------|
| - | - | - | 84 |
| - | - | - | 83 |
| - | - | - | 82 |
| - | - | - | 81 |
| - | - | - | 80 |
| - | - | - | 79 |
| - | - | - | 78 |
| - | - | - | 77 |
| - | - | - | 76 |
| - | - | - | 75 |
| - | - | - | 74 |

| QTY | UNIT | DESCRIPTION | ITEM NO |
|-----|------|-------------|---------|
| - | - | - | 84 |
| - | - | - | 83 |
| - | - | - | 82 |
| - | - | - | 81 |
| - | - | - | 80 |
| - | - | - | 79 |
| - | - | - | 78 |
| - | - | - | 77 |
| - | - | - | 76 |
| - | - | - | 75 |
| - | - | - | 74 |

| QTY | UNIT | DESCRIPTION | ITEM NO |
|-----|------|-------------|---------|
| - | - | - | 84 |
| - | - | - | 83 |
| - | - | - | 82 |
| - | - | - | 81 |
| - | - | - | 80 |
| - | - | - | 79 |
| - | - | - | 78 |
| - | - | - | 77 |
| - | - | - | 76 |
| - | - | - | 75 |
| - | - | - | 74 |

| QTY | UNIT | DESCRIPTION | ITEM NO |
|-----|------|-------------|---------|
| - | - | - | 84 |
| - | - | - | 83 |
| - | - | - | 82 |
| - | - | - | 81 |
| - | - | - | 80 |
| - | - | - | 79 |
| - | - | - | 78 |
| - | - | - | 77 |
| - | - | - | 76 |
| - | - | - | 75 |
| - | - | - | 74 |

| QTY | UNIT | DESCRIPTION | ITEM NO |
|-----|------|-------------|---------|
| - | - | - | 84 |
| - | - | - | 83 |
| - | - | - | 82 |
| - | - | - | 81 |
| - | - | - | 80 |
| - | - | - | 79 |
| - | - | - | 78 |
| - | - | - | 77 |
| - | - | - | 76 |
| - | - | - | 75 |
| - | - | - | 74 |

| QTY | UNIT | DESCRIPTION | ITEM NO |
|-----|------|-------------|---------|
| - | - | - | 84 |
| - | - | - | 83 |
| - | - | - | 82 |
| - | - | - | 81 |
| - | - | - | 80 |
| - | - | - | 79 |
| - | - | - | 78 |
| - | - | - | 77 |
| - | - | - | 76 |
| - | - | - | 75 |
| - | - | - | 74 |

| QTY | UNIT | DESCRIPTION | ITEM NO |
|-----|------|-------------|---------|
| - | - | - | 84 |
| - | - | - | 83 |
| - | - | - | 82 |
| - | - | - | 81 |
| - | - | - | 80 |
| - | - | - | 79 |
| - | - | - | 78 |
| - | - | - | 77 |
| - | - | - | 76 |
| - | - | - | 75 |
| - | - | - | 74 |

| QTY | UNIT | DESCRIPTION | ITEM NO |
|-----|------|-------------|---------|
| - | - | - | 84 |
| - | - | - | 83 |
| - | - | - | 82 |
| - | - | - | 81 |
| - | - | - | 80 |
| - | - | - | 79 |
| - | - | - | 78 |
| - | - | - | 77 |
| - | - | - | 76 |
| - | - | - | 75 |
| - | - | - | 74 |

| QTY | UNIT | DESCRIPTION | ITEM NO |
|-----|------|-------------|---------|
| - | - | - | 84 |
| - | - | - | 83 |
| - | - | - | 82 |
| - | - | - | 81 |
| - | - | - | 80 |
| - | - | - | 79 |
| - | - | - | 78 |
| - | - | - | 77 |
| - | - | - | 76 |
| - | - | - | 75 |
| - | - | - | 74 |

| QTY | UNIT | DESCRIPTION | ITEM NO |
|-----|------|-------------|---------|
| - | - | - | 84 |
| - | - | - | 83 |
| - | - | - | 82 |
| - | - | - | 81 |
| - | - | - | 80 |
| - | - | - | 79 |
| - | - | - | 78 |
| - | - | - | 77 |
| - | - | - | 76 |
| - | - | - | 75 |
| - | - | - | 74 |

| QTY | UNIT | DESCRIPTION | ITEM NO |
|-----|------|-------------|---------|
| - | - | - | 84 |
| - | - | - | 83 |
| - | - | - | 82 |
| - | - | - | 81 |
| - | - | - | 80 |
| - | - | - | 79 |
| - | - | - | 78 |
| - | - | - | 77 |
| - | - | - | 76 |
| - | - | - | 75 |
| - | - | - | 74 |

| QTY | UNIT | DESCRIPTION | ITEM NO |
|-----|------|-------------|---------|
| - | - | - | 84 |
| - | - | - | 83 |
| - | - | - | 82 |
| - | - | - | 81 |
| - | - | - | 80 |
| - | - | - | 79 |
| - | - | - | 78 |
| - | - | - | 77 |
| - | - | - | 76 |
| - | - | - | 75 |
| - | - | - | 74 |

| QTY | UNIT | DESCRIPTION | ITEM NO |
|-----|------|-------------|---------|
| - | - | | |