



Property of Lite-On Only

SMD LAMP LED

OFFICE : 90 Chien I Road, Chung Ho
Taipei, Taiwan, R.O.C.

TEL : +886-2-2222-6181

FAX : +886-2-2226-5872

LTW-Z5630SZL30

DATASHEET

DATE : 2012/08/08

REV. NO. : Version : A

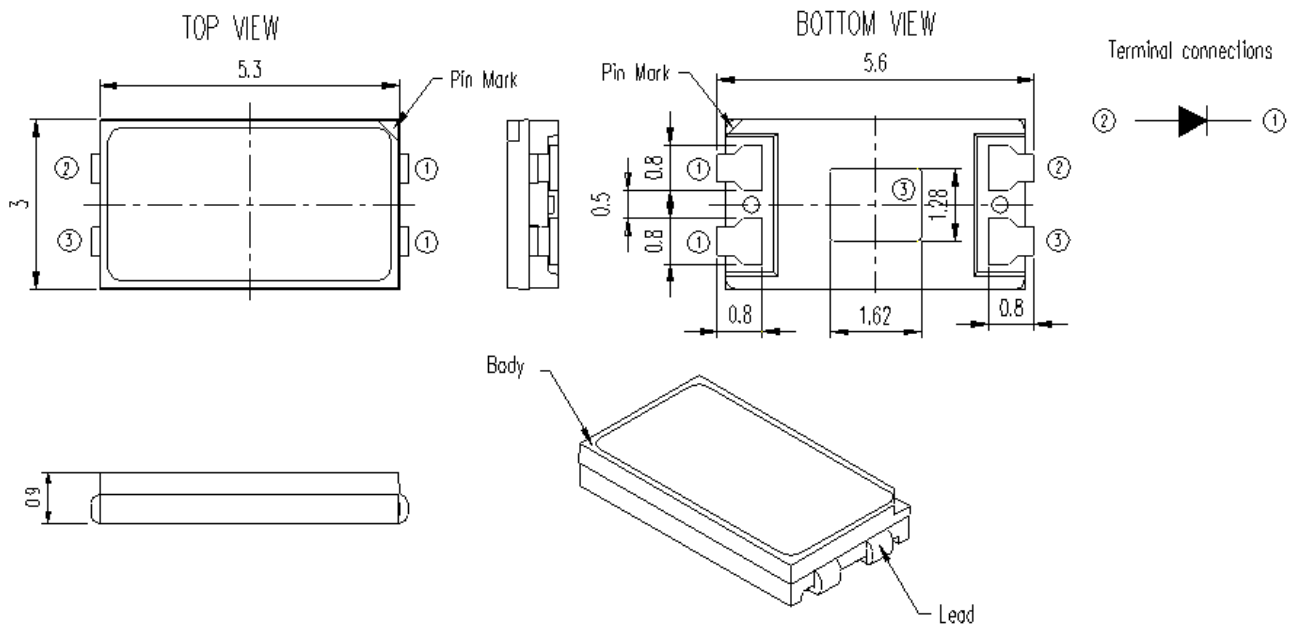
PAGE : 0 of 11

Property of Lite-On Only

Features

- * Package in 8mm tape on 7" diameter reels.
- * Compatible with automatic placement equipment.
- * Compatible with infrared and vapor phase reflow solder process.
- * EIA STD package.
- * I.C. compatible.
- * Meet green product and Pb-free(According to RoHS)

Package Dimensions



| Part No. | Lens Color | Source Color |
|----------------|------------|--------------|
| LTW-Z5630SZL30 | Orange | InGaN Blue |

Notes:

1. All dimensions are in millimeters.
2. Tolerance is ± 0.2 mm (.008") unless otherwise noted.
3. Thermal pad and one of leads are connected and marked as ③, but without polarity.

Property of Lite-On Only

Absolute Maximum Ratings at Ta=25°C

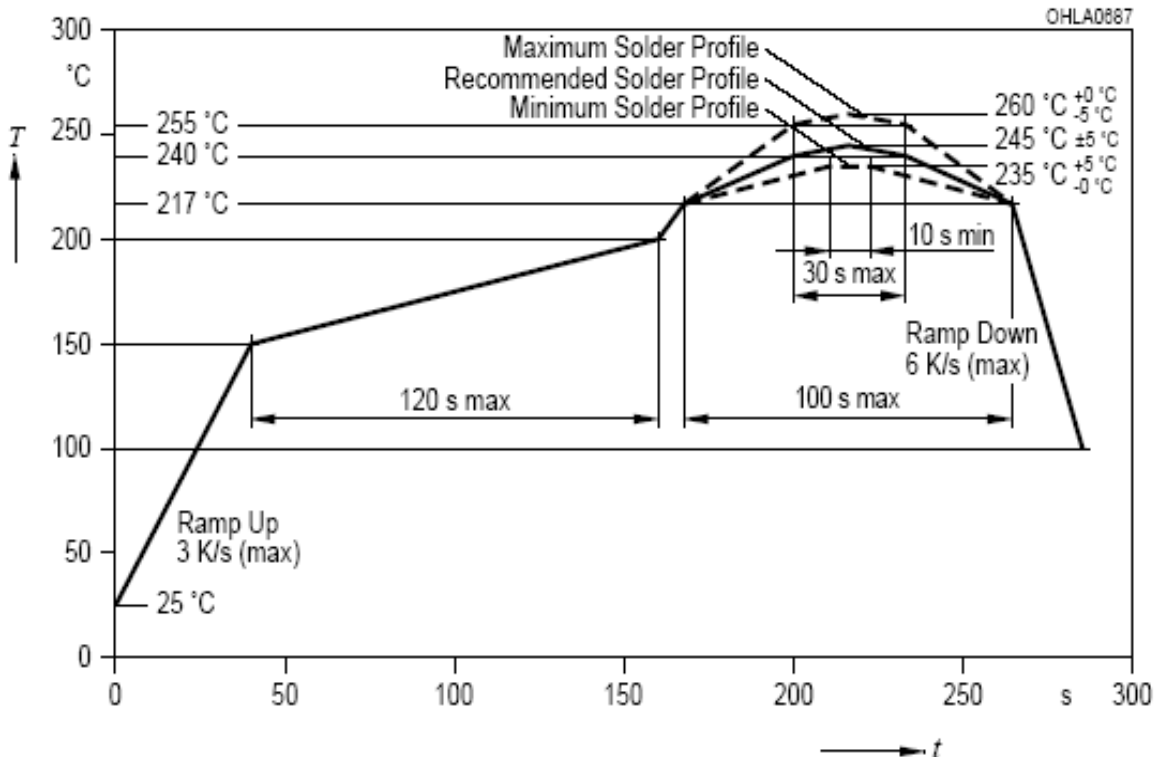
| Parameter | Symbol | Rating | Unit |
|-----------------------------|-----------|------------|------|
| Power Dissipation | P_o | 576 | mW |
| Continuous Forward Current | I_F | 150 | mA |
| Operating Temperature Range | T_{opr} | -40 ~ +80 | °C |
| Storage Temperature Range | T_{stg} | -40 ~ +100 | °C |
| Junction Temperature | T_j | ≤ 115 | °C |

Note: 1/10 duty cycle, Pulse width $\leq 100\mu s$.

Forbid to operating at reverse voltage condition for long.

Suggestion IR Reflow Profile For Pb Free Process :

IR-Reflow Soldering Profile for lead free soldering (Acc. to J-STD-020B)



Property of Lite-On Only

Electro-Optical Characteristics at Ta=25°C

| Parameter | Symbol | Values | | Test Condition | Unit |
|------------------------------|---------------------|--------|-------|----------------------|---------------|
| Forward Voltage | V_F | Min | 3.0 | $I_F = 120\text{mA}$ | V |
| | | Typ. | 3.2 | | |
| | | Max. | 3.6 | | |
| Luminous Flux ¹ | Φ_V | Min | 30.5 | $I_F = 120\text{mA}$ | lm |
| | | Typ. | 38.5 | | |
| | | Max. | 46.5 | | |
| Reverse Current | I_R | Max. | 100 | $V_R = 5\text{V}$ | μA |
| Viewing Angle | $2\theta_{1/2}$ | Typ. | 120 | $I_F = 120\text{mA}$ | ° |
| Chromaticity Coordinates | x | Typ. | 0.434 | $I_F = 120\text{mA}$ | |
| | y | Typ. | 0.403 | | |
| Optical Efficiency | η_{opt} | Typ. | 100 | $I_F = 120\text{mA}$ | lm/W |
| Correlated Color Temperature | CCT | Typ. | 3000 | $I_F = 120\text{mA}$ | K |
| Color Rendering Index | CRI | Min | 80 | $I_F = 120\text{mA}$ | |

Notes

- Luminous flux is the total luminous flux output as measured with an integrating sphere.
- Iv (flux Φ_V) classification code is marked on each packing bag.
- The chromaticity coordinates (x, y) is derived from the 1931 CIE chromaticity diagram.
- Caution in ESD:
Static Electricity and surge damages the LED. It is recommended using a wrist band or anti-electrostatic glove when handling the LED. All devices, equipment and machinery must be properly grounded.
- CAS140B is the test standard for the chromaticity coordinates (x, y) & Φ_V .
- The chromaticity coordinates (x, y) guarantee should be added +/- 0.01 tolerance
- CRI measurement allowance is ± 5

Property of Lite-On Only

Bin Code List

| V _F (in parallel) Spec. Table | | |
|--|---|-----|
| V _F Bin | Forward Voltage (volts) at I _F = 120mA | |
| | Min | Max |
| V1 | 3.0 | 3.1 |
| V2 | 3.1 | 3.2 |
| V3 | 3.2 | 3.3 |
| V4 | 3.3 | 3.4 |
| V5 | 3.4 | 3.5 |
| V6 | 3.5 | 3.6 |

Tolerance on each Forward Voltage bin is +/- 0.1V

| Φ _v Luminous Flux Spec. Table | | |
|--|--------------------------------------|------|
| Φ _v Bin | Lumen (lm) at I _F = 120mA | |
| | Min | Max |
| R1 | 30.5 | 35.5 |
| R2 | 35.5 | 40.5 |
| R3 | 40.5 | 46.5 |

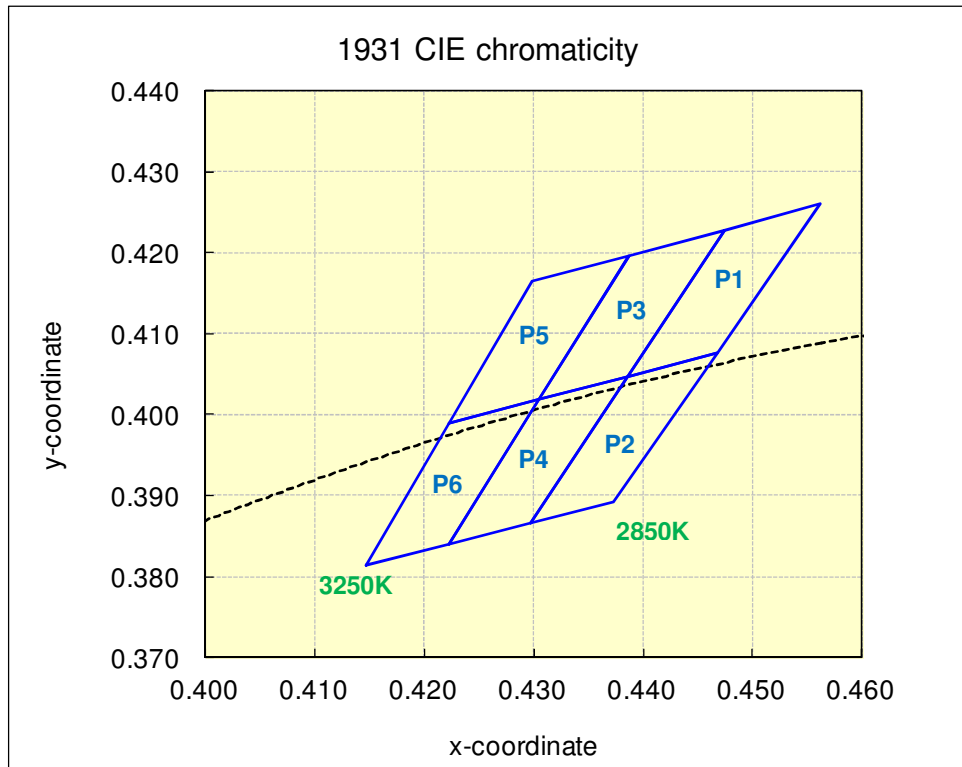
Tolerance on each Luminous Flux bin is +/- 7.5%.

Property of Lite-On Only

| Hue Bin | Color bin limits at $I_F = 120\text{mA}$ | | | | |
|---------|--|--------|--------|--------|--------|
| | CIE 1931 Chromaticity coordinates | | | | |
| P1 | x | 0.4386 | 0.4474 | 0.4562 | 0.4468 |
| | y | 0.4048 | 0.4228 | 0.4260 | 0.4077 |
| P2 | x | 0.4298 | 0.4386 | 0.4468 | 0.4373 |
| | y | 0.3867 | 0.4048 | 0.4077 | 0.3893 |
| P3 | x | 0.4305 | 0.4387 | 0.4474 | 0.4386 |
| | y | 0.4019 | 0.4197 | 0.4228 | 0.4048 |
| P4 | x | 0.4222 | 0.4305 | 0.4386 | 0.4298 |
| | y | 0.3840 | 0.4019 | 0.4048 | 0.3867 |
| P5 | x | 0.4223 | 0.4299 | 0.4387 | 0.4305 |
| | y | 0.3990 | 0.4165 | 0.4197 | 0.4019 |
| P6 | x | 0.4147 | 0.4223 | 0.4305 | 0.4222 |
| | y | 0.3814 | 0.3990 | 0.4019 | 0.3840 |

Tolerance on each Hue (x, y) bin is +/- 0.01.

Hue Bin:



Property of Lite-On Only

Typical Electrical / Optical Characteristics Curves (25°C Ambient Temperature Unless Otherwise Noted)

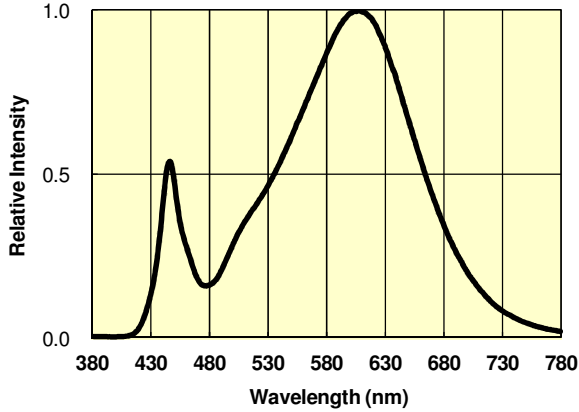


Fig.1 Typical Spectrum

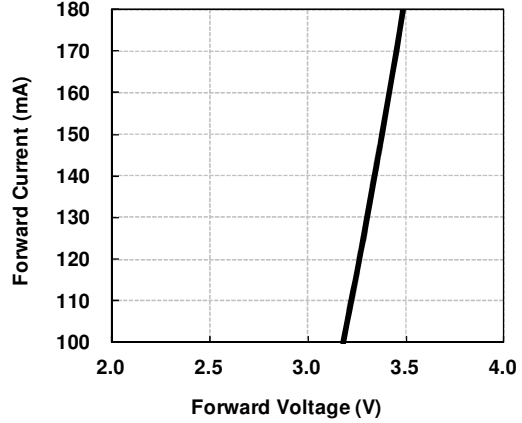


Fig.2 Forward Current vs Forward Voltage

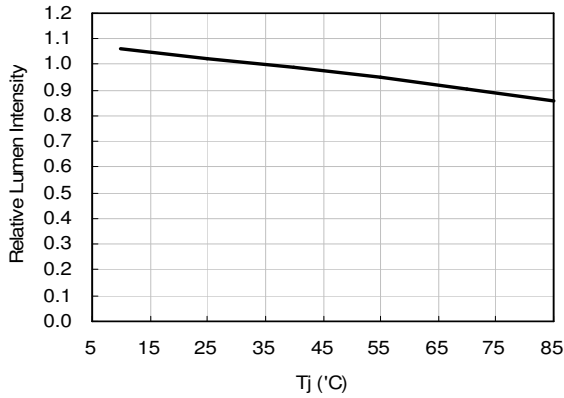


Fig.3 Relative Luminous vs Junction Temperature

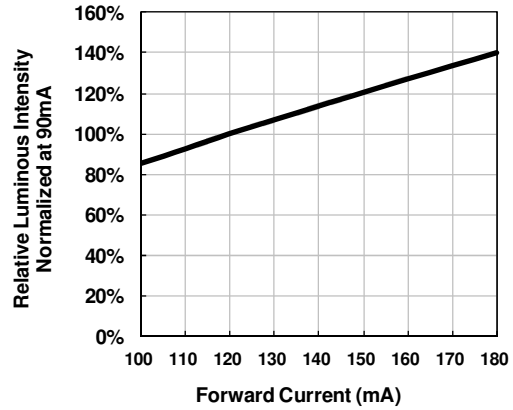


Fig.4 Relative Luminous vs Forward Current

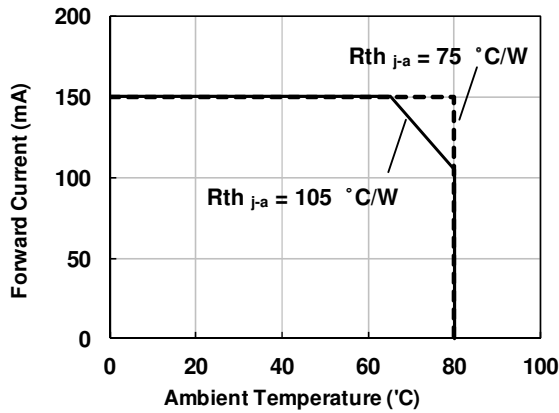


Fig.5 Forward Current Derating Curve

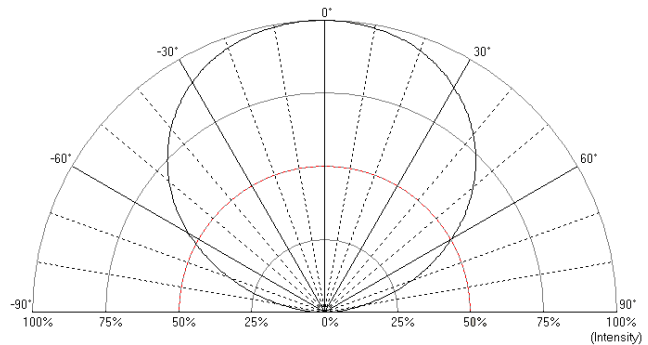


Fig.6 Spatial Distribution

Property of Lite-On Only

User Guide

Cleaning

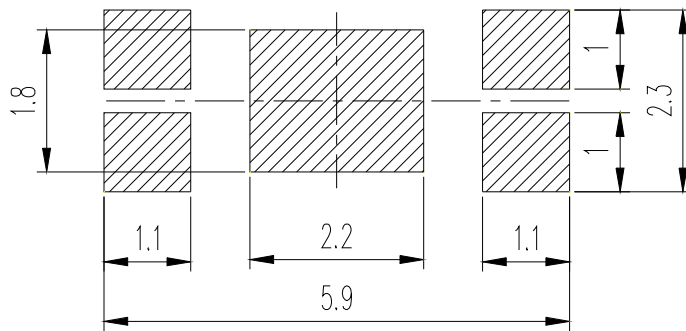
Do not use unspecified chemical liquid to clean LED they could harm the package.

If cleaning is necessary, immerse the LED in ethyl alcohol or isopropyl alcohol at normal temperature for less than one minute.

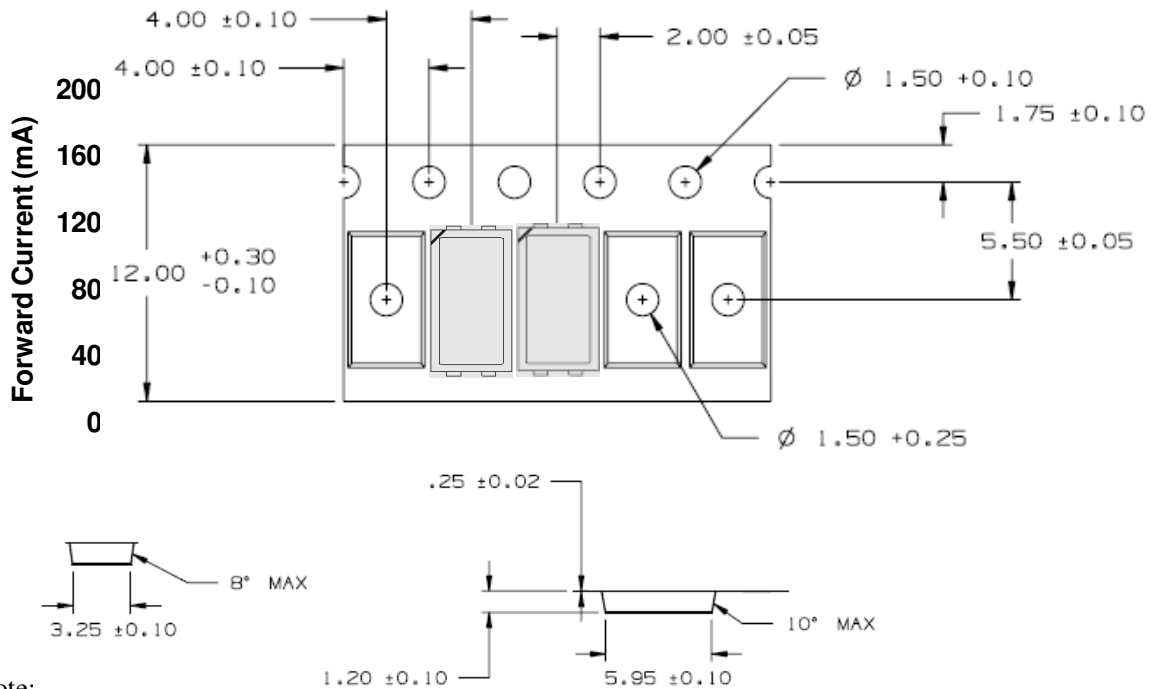
Recommend Printed Circuit Board Attachment Pad

Infrared / vapor phase

Reflow Soldering



Package Dimensions of Tape

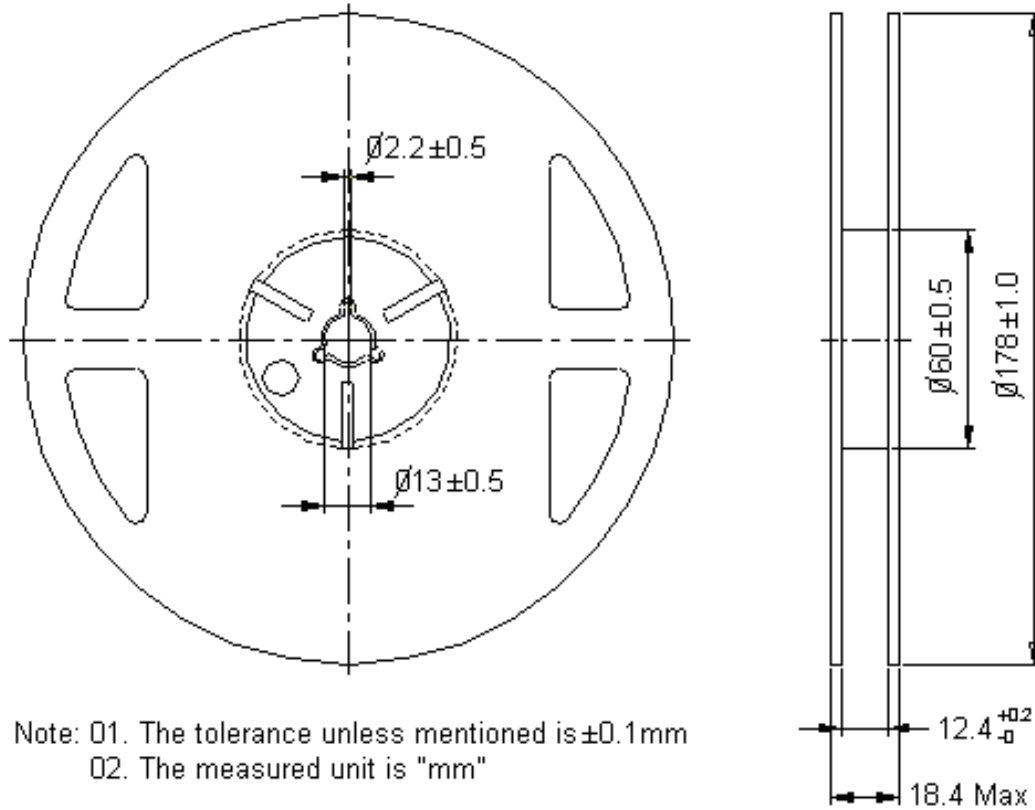


Note:

1. All dimensions are in millimeters (inches).

Property of Lite-On Only

Package Dimensions of Reel



Note: 01. The tolerance unless mentioned is ± 0.1 mm
02. The measured unit is "mm"

Notes:

1. Empty component pockets sealed with top cover tape.
2. 7 inch reel-1000 pieces per reel.
3. Minimum packing quantity is 500 pieces for remainders.
4. The maximum number of consecutive missing lamps is two.
5. In accordance with EIA-481-1-B specifications.

CAUTIONS

1. Application

The LEDs described here are intended to be used for ordinary electronic equipment (such as office equipment, communication equipment and household applications). Consult Liteon's Sales in advance for information on applications in which exceptional reliability is required, particularly when the failure or malfunction of the LEDs may directly jeopardize life or health (such as in aviation, transportation, traffic control equipment, medical and life support systems and safety devices).

2. Storage

This product is qualified as Moisture sensitive Level 3 per JEDEC J-STD-020 Precaution when handling this moisture sensitive product is important to ensure the reliability of the product.

The package is sealed:

The LEDs should be stored at 30°C or less and 90%RH or less. And the LEDs are limited to use within one year, while the LEDs is packed in moisture-proof package with the desiccants inside.

The package is opened:

The LEDs should be stored at 30°C or less and 60%RH or less. Moreover, the LEDs are limited to solder process within 72hrs. If the Humidity Indicator shows the pink color in 10% even higher or exceed the storage limiting time since opened, that we recommended to baking LEDs at 60°C at least 24hrs. To seal the remainder LEDs return to package, it's recommended to be with workable desiccants in original package.

3. Cleaning

Use alcohol-based cleaning solvents such as isopropyl alcohol to clean the LED if necessary.

4. Soldering

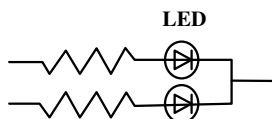
Recommended soldering conditions:

| Reflow soldering | | Wave Soldering | | Soldering iron | |
|------------------|---------------|----------------|--------------|----------------|-----------------|
| Pre-heat | 120~150°C | Pre-heat | 100°C Max. | Temperature | 300°C Max. |
| Pre-heat time | 120 sec. Max. | Pre-heat time | 60 sec. Max. | Soldering time | 3 sec. Max. |
| Soldering Temp. | 260°C Max. | Solder wave | 260°C Max. | | (one time only) |
| Soldering time | 30 sec. Max. | Soldering time | 10 sec. Max. | | |

5. Drive Method

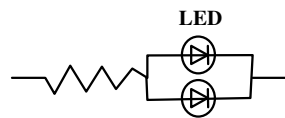
An LED is a current-operated device. In order to ensure intensity uniformity on multiple LEDs connected in parallel in an application, it is recommended that a current limiting resistor be incorporated in the drive circuit, in series with each LED as shown in Circuit A below.

Circuit model A



(A) Recommended circuit.

Circuit model B



(B) The brightness of each LED might appear different due to the differences in the I-V characteristics of those LEDs.

6. ESD (Electrostatic Discharge)

Static Electricity or power surge will damage the LED.

Suggestions to prevent ESD damage:

Property of Lite-On Only

- Use of a conductive wrist band or anti-electrostatic glove when handling these LEDs.
- All devices, equipment, and machinery must be properly grounded.
- Work tables, storage racks, etc. should be properly grounded.
- Use ion blower to neutralize the static charge which might have built up on surface of the LED's plastic lens as a result of friction between LEDs during storage and handling.

ESD-damaged LEDs will exhibit abnormal characteristics such as high reverse leakage current, low forward voltage, or “no lightup” at low currents.

To verify for ESD damage, check for “light up” and Vf of the suspect LEDs at low currents.

The Vf of “good” LEDs should be >2.0V@0.1mA for InGaN product and >1.4V@0.1mA for AlInGaP product.

7. Reliability Test

| Test Item | Test Condition | Note | Number of Damaged |
|--|---|-------------|-------------------|
| Steady State Operating Life of High Temperature (HTOL) | Ta=85°C, IF=120mA | 1000 hrs | 0/22 |
| Steady State Operating Life of Low Temperature (LTOL) | Ta=-40°C, IF=120mA | 1000 hrs | 0/22 |
| Pulse Wet Operating Life of High Temperature (PWHTOL) | 60°C/90%RH, IF=120mA 30mins ON/30min OFF | 500 hrs | 0/22 |
| High Temperature Storage (HTS) | 100°C | 1000 hrs | 0/22 |
| Low Temperature Storage (LTS) | -40°C | 1000 hrs | 0/22 |
| Thermal Cycle (TC) | -40°C ~ 100°C 30min dwell 5min transfer | 200 cycle | 0/22 |
| Thermal Shock (TS) | -40°C ~ 100°C 20min dwell 20sec transfer | 200 cycle | 0/22 |
| Solder Resistance (SR) | 265°C, 3X MSL | 5sec | 0/22 |
| Solder Ability (SA) | 245°C 5sec, 95% coverage | 5sec | 0/11 |
| Mechanical Shock (MS) | 1500G 0.5msec pulse shock | each 6 axis | 0/6 |
| Random Vibration (RV) | 6G RMS, 10-2000Hz, 10min | per axis | 0/6 |
| Variable Vibration Frequency (VVF) | 10-2000-10Hz, log or linear sweep rate, 20G for 1 min, 1.5mm each apply 3x per | over 6hrs | 0/6 |
| Salt Spread (SS) | 35°C, 30g/m2/day | 48hrs | 0/11 |

| Item | Lumen Shift | Voltage Shift | CIE X, Y Shift |
|------------------------|-------------|---------------|----------------|
| Criteria for Judgement | Over -30% | Within ±10% | Within ±0.01 |

8. Others

The appearance and specifications of the product may be modified for improvement without prior notice.

9. Suggested Checking List

Training and Certification

1. Everyone working in a static-safe area is ESD-certified?
2. Training records kept and re-certification dates monitored?

Static-Safe Workstation & Work Areas

1. Static-safe workstation or work-areas have ESD signs?
2. All surfaces and objects at all static-safe workstation and within 1 ft measure less than 100V?
3. All ionizer activated, positioned towards the units?
4. Each work surface mats grounding is good?

Personnel Grounding

1. Every person (including visitors) handling ESD sensitive (ESDS) items wear wrist strap, heel strap or conductive shoes with conductive flooring?
2. If conductive footwear used, conductive flooring also present where operator stand or walk?
3. Garments, hairs or anything closer than 1 ft to ESD items measure less than 100V*?
4. Every wrist strap or heel strap/conductive shoes checked daily and result recorded for all DLs?
5. All wrist strap or heel strap checkers calibration up to date?

Note: *50V for Blue LED.

Device Handling

1. Every ESDS items identified by EIA-471 labels on item or packaging?
2. All ESDS items completely inside properly closed static-shielding containers when not at static-safe workstation?
3. No static charge generators (e.g. plastics) inside shielding containers with ESDS items?
4. All flexible conductive and dissipative package materials inspected before reuse or recycle?

Others

1. Audit result reported to entity ESD control coordinator?
2. Corrective action from previous audits completed?
3. Are audit records complete and on file?

