

"High Frequency Ceramic Solutions"

2.45 GHz Band Pass Filter

P/N 2450BP18C100A

Detail Specification: 07/07/05

Page 1 of 2

General Specifications

Part Number	2450BP18C100A
Frequency (MHz)	2450 ± 50
Insertion Loss	2.5 dB max.
Return Loss	9.5 dB min.
Attenuation (min.)	40 dB @ 1.2 - 1.8 GHz
Attenuation (min.)	25 dB @ 2.1 GHz
Attenuation (min.)	35 dB @ 4.8 - 5.0 GHz
Attenuation (min.)	25 dB @ 7.2 - 7.5 GHz

Ripple	0.7 dB max.
Impedance	50 Ω
Input Power	3 Watt max.
Operating Temperature	-40 to +85°C
Storage Temperature	-40 to +85°C
Reel Quantity	3,000

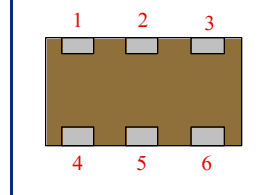
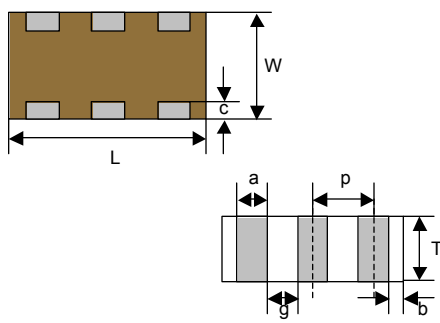
Termination Style	100% Tin	Suffix = "None"	eg. 2450BP18C100A
	Tin / Lead	Suffix = "/Pb"	eg. 2450BP18C100A/Pb

Terminal Configuration

No.	Function
1	I/O
2	GND
3	GND
4	GND
5	GND
6	I/O

Mechanical Dimensions

	In	mm
L	0.126 ± 0.006	3.20 ± 0.15
W	0.063 ± 0.006	1.60 ± 0.15
T	0.033 ± 0.004	0.85 ± 0.10
a	0.022 ± 0.006	0.55 ± 0.15
b	0.014 ± 0.006	0.35 ± 0.15
c	0.012 +.004/-0.008	0.30 +0.1/-0.2
g	0.016 ± 0.004	0.40 ± 0.10
p	0.039 ± 0.004	1.00 ± 0.10

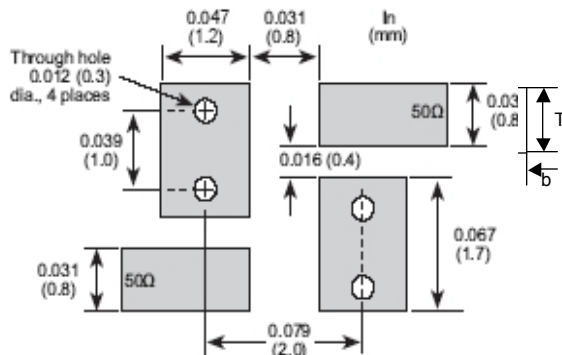


Mounting Considerations

Mount these devices with brown mark facing up.

* Line width should be designed to provide 50 ohm impedance, depending on PCB material and thickness

Units: mm



Johanson Technology, Inc. reserves the right to make design changes without notice.

All sales are subject to Johanson Technology, Inc. terms and conditions.



www.johansontech.com

931 Via Alondra • Camarillo, CA 93012 • TEL 805.389.1166 FAX 805.389.1821

2003 Johanson Technology, Inc. All Rights Reserved

"High Frequency Ceramic Solutions"

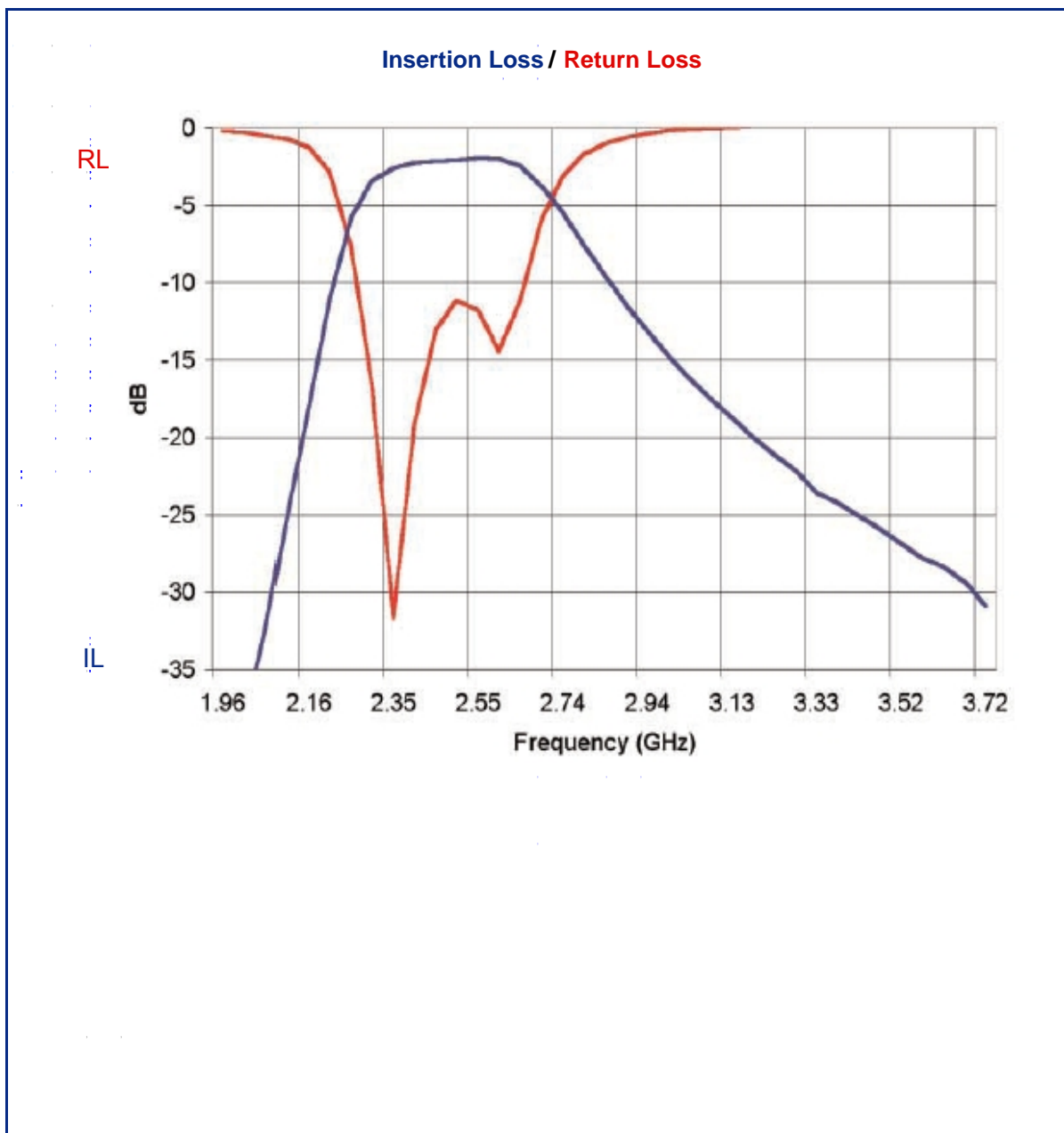
2.45 GHz Band Pass Filter

P/N 2450BP18C100A

Detail Specification: 07/07/05

Page 2 of 2

Typical Electrical Performance (T=25°C)



Johanson Technology, Inc. reserves the right to make design changes without notice.
All sales are subject to Johanson Technology, Inc. terms and conditions.



www.johansontechnology.com

931 Via Alondra • Camarillo, CA 93012 • TEL 805.389.1166 FAX 805.389.1821

2003 Johanson Technology, Inc. All Rights Reserved