

THIS DRAWING IS UNPUBLISHED.

RELEASED FOR PUBLICATION

ALL RIGHTS RESERVED.

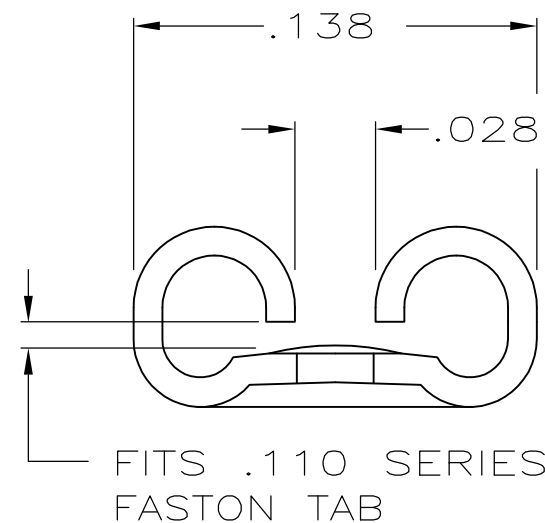
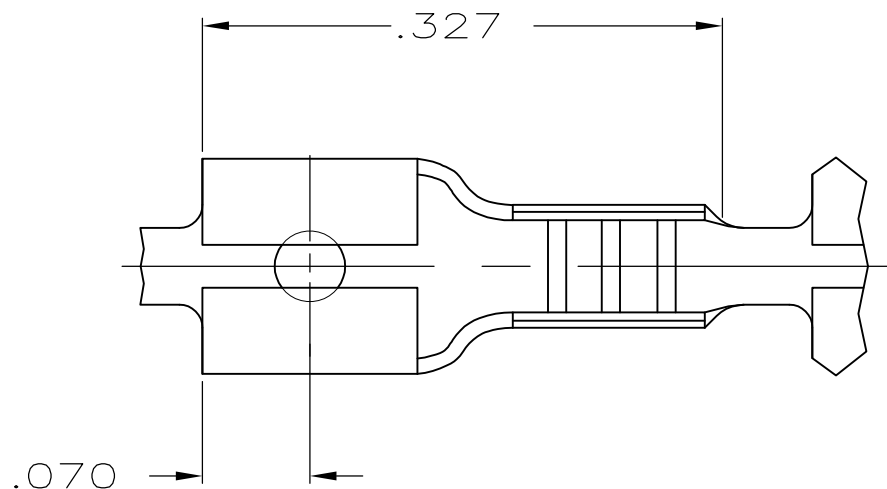
© COPYRIGHT - By -

LOC AF DIST 50

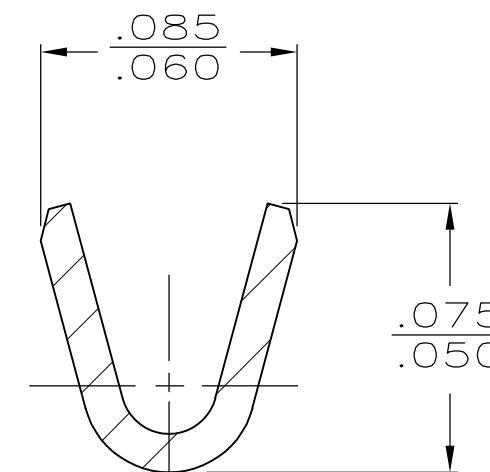
REVISIONS

P	LTR	DESCRIPTION	DATE	DWN	APVD
B		REVISED PER ECR-12-013518	23NOV2012	KH	PD

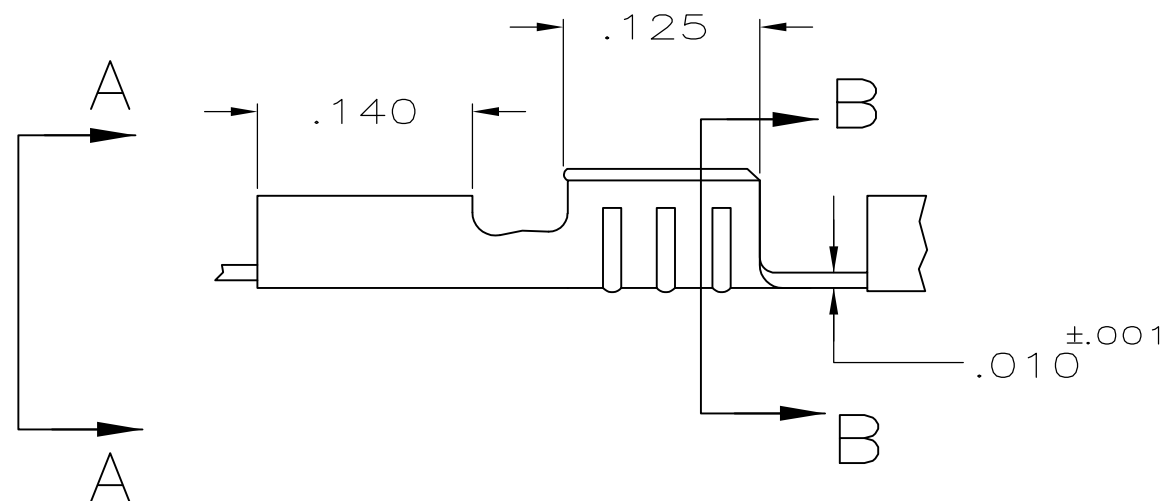
- 1 CONTINUOUS STRIP ON REELS.
- 2 WIRE SIZES #26-#22 AWG.
- 3 MATES WITH .016±.001 THK TAB.
- 4 THIS PART MUST BE REELED ON TO PLASTIC REELS.



VIEW A-A




SECTION B-B



1217198-1

PART NO.

THIS DRAWING IS A CONTROLLED DOCUMENT.		DWN JR RUTH 23AUG99	 TE Connectivity NAME RECEPTACLE, FASTON TM , .110 SERIES PRODUCT SPEC - APPLICATION SPEC - WEIGHT -			RESTRICTED TO			
DIMENSIONS: INCHES		CHK MS FEHER 23AUG99				SIZE	CAGE CODE	DRAWING NO	-
TOLERANCES UNLESS OTHERWISE SPECIFIED:		APVD S HEADER 23AUG99				A3	00779	C-1217198	
0 PLC ± - 1 PLC ± - 2 PLC ± - 3 PLC ± .005 4 PLC ± - ANGLES ± ±-		FINISH -				CUSTOMER DRAWING		SCALE 8:1	SHEET 1 OF 1
MATERIAL BRASS									