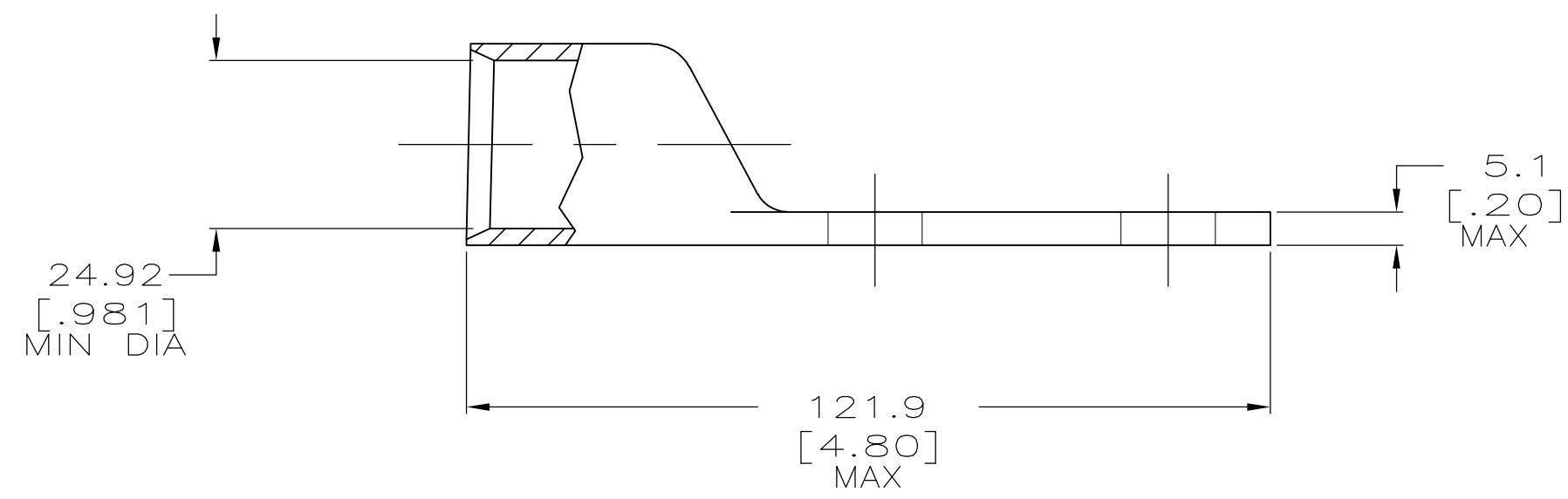
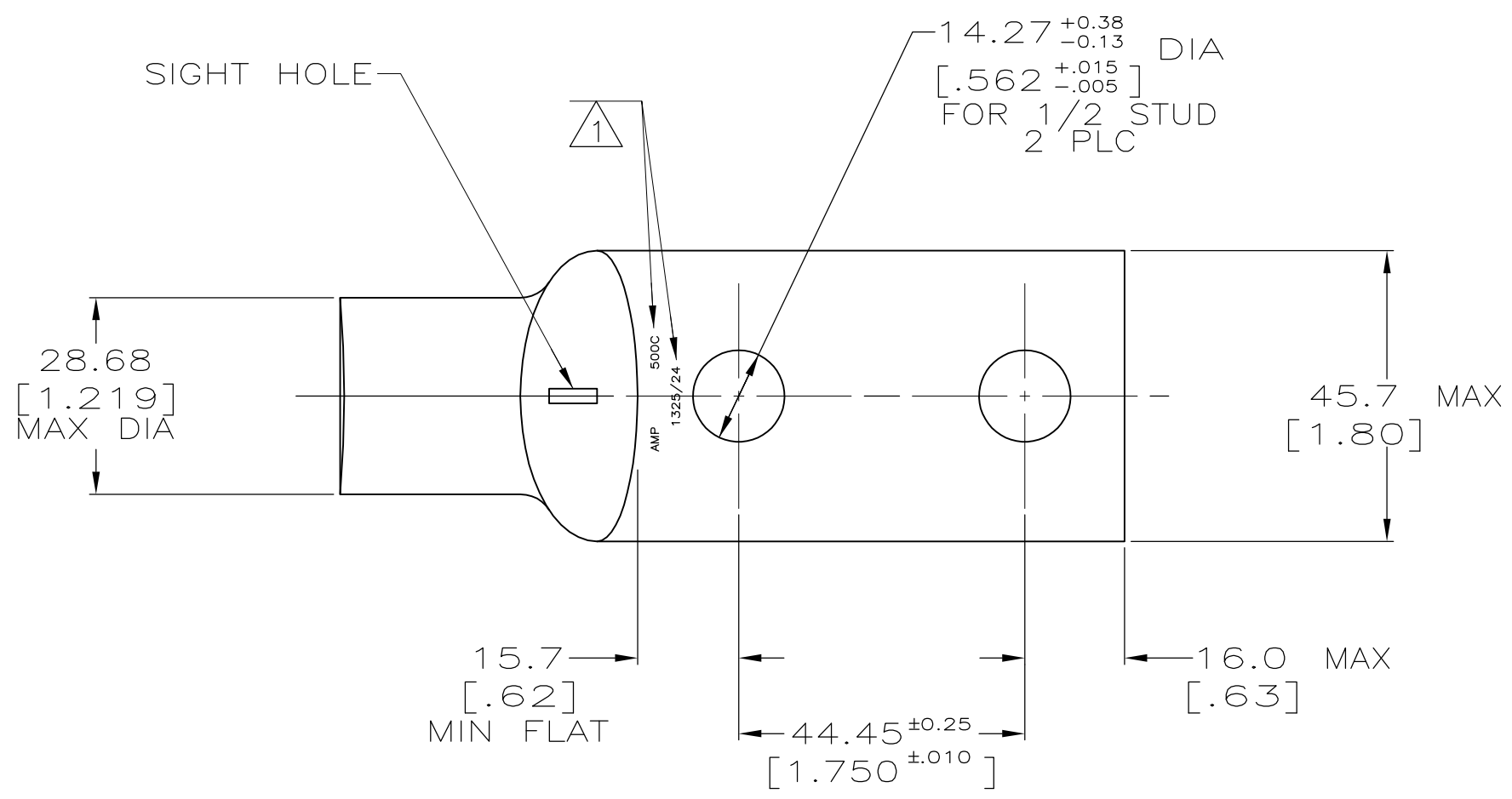


THIS DRAWING IS UNPUBLISHED. RELEASED FOR PUBLICATION
 © COPYRIGHT BY TYCO ELECTRONICS CORPORATION. ALL INTERNATIONAL RIGHTS RESERVED.

LOC	DIST	REVISIONS					
		P	LTR	DESCRIPTION	DATE	DWN	APVD
G	86		B1	REV PER ECR 08-023271	15SEPT08	JR	CK



-	327289-4
0.00254 [.000100] MIN TIN	327289
FINISH	PART NO.

MAX RECOMMENDED OPERATING TEMPERATURE: 170°C MAX	THIS DRAWING IS A CONTROLLED DOCUMENT.	DWN DK SCHRUM 6/24/93	Tyco Electronics Corporation Harrisburg, PA 17105-3608
VOLTAGE RATING: N/A	DIMENSIONS: MM [INCHES]	CHK AJ KAUFMAN 6/24/93	
CIRCULAR MIL AREA: 228.02-278.69mm ² [450-550] MCM STRANDED	TOLERANCES UNLESS OTHERWISE SPECIFIED: 0 PLC ± - 1 PLC ± - 2 PLC ± - 3 PLC ± - 4 PLC ± - ANGLES ± -	APVD J MECKLEY 6/24/93	NAME TERMINAL, AMPPOWER, WIRE SIZE: 500 MCM
MATERIAL COPPER PER ASTM B-75 ANNEALED	FINISH SEE TABLE	PRODUCT SPEC APPLICATION SPEC	SIZE A2
		WEIGHT .461 LBS.	CAGE CODE 00779
		CUSTOMER DRAWING	DRAWING NO C=327289
		SCALE 1:1	RESTRICTED TO -
		SHEET 1 of 1	REV B1

327289