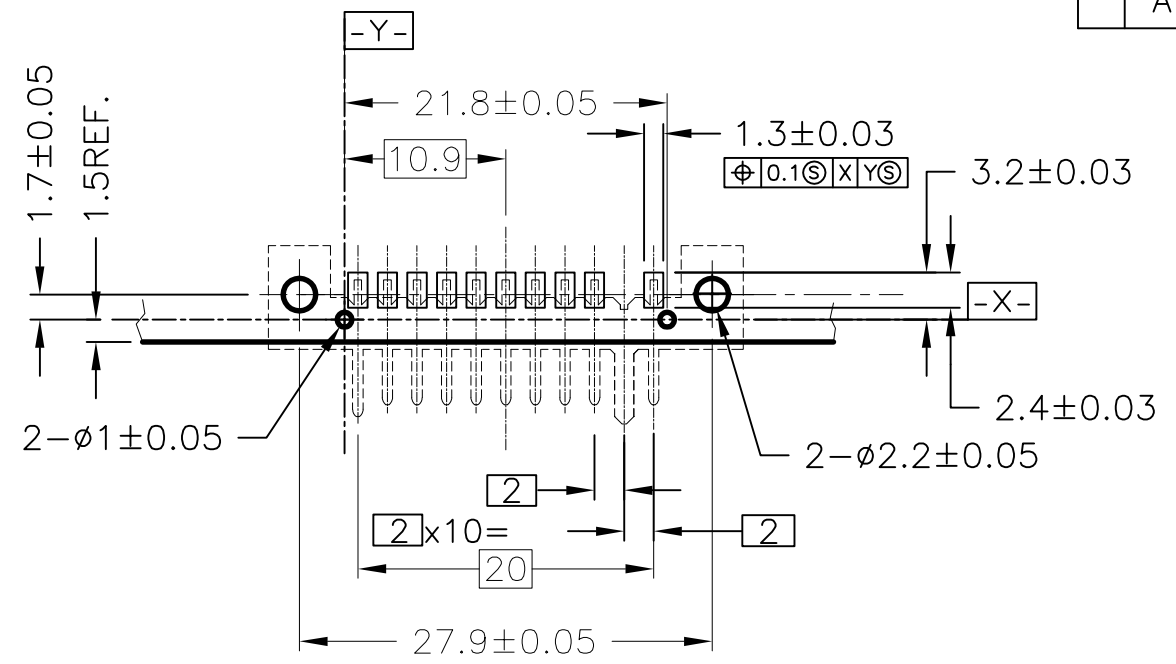
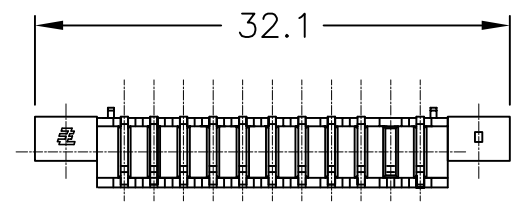
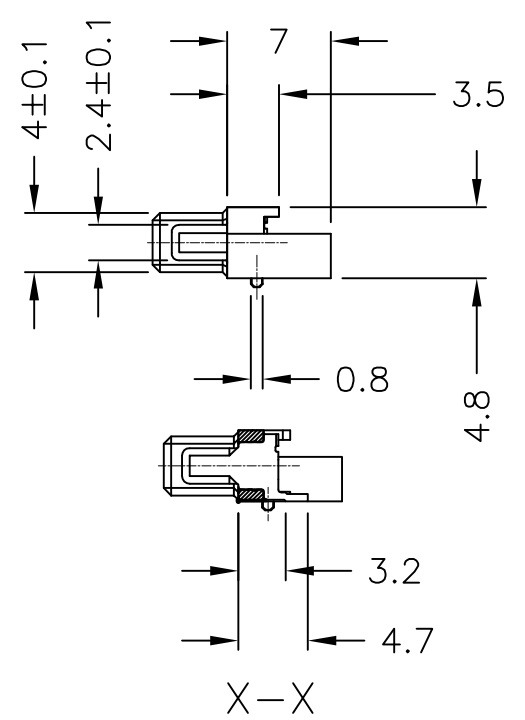
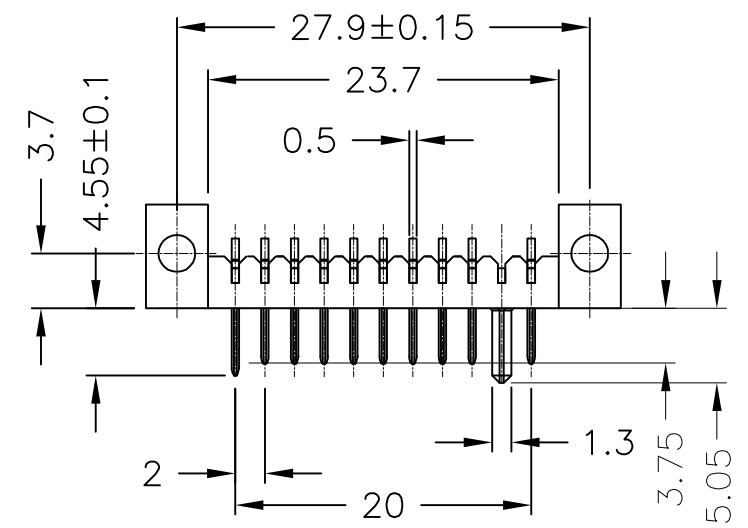


LOC		DIST		REVISIONS			
ES		P	LTR	DESCRIPTION	DATE	DWN	APVD
			A	REVISED PER ECR-10-011717	30MAY2010	S.W	S.Y

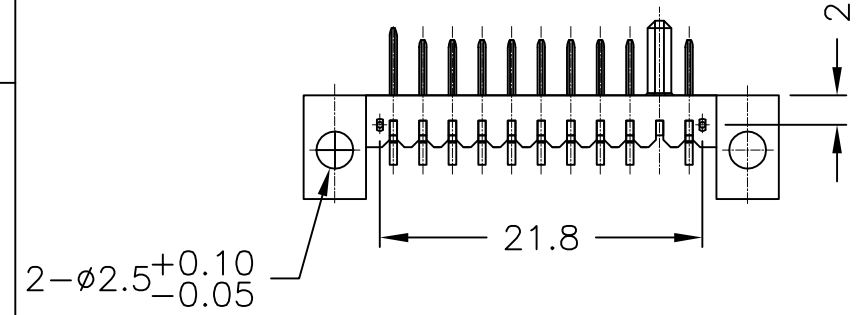
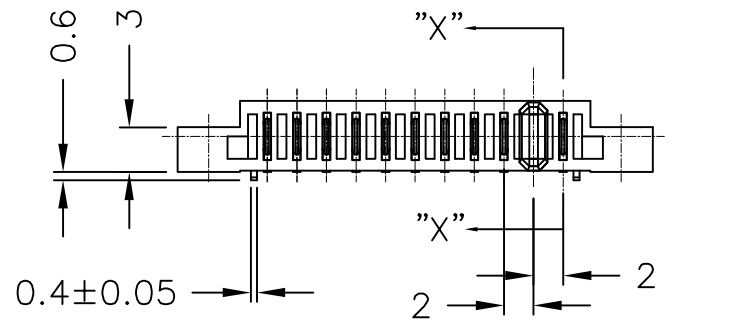
1827501-1:AS SHOWN



REFERENCE P.C. BOARD LAYOUT
 P.C. BOARD THK 0.8~1.2
 (VIEW FROM CONNECTOR MOUNTING SIDE)



- △ MATERIAL HOUSING : 6T NYLON, UL94V-0
 COLOR ; BLACK
 CONTACT : COPPER ALLOY
- △ FINISH CONTACT : Ni 2μm MIN. ALL OVER UNDER PL
 Au PL. 0.3μm MIN. AT CONTACT AREA
 Au FLASH PL. 0.05~0.15μm
 AT LEAD AREA



THIS DRAWING IS A CONTROLLED DOCUMENT.		DWN T.KATANO 21DEC04	Tyco Electronics Shanghai, P.R.China, 200233	
DIMENSIONS: MM		CHK T.KIMURA 05JAN05	NAME PLUG ASSEMBLY 2mm PITCH BATTERY CONNECTOR THROUGH HOLE TYPE	
TOLERANCES UNLESS OTHERWISE SPECIFIED: ∅-PLC ± 0.3 1-PLC ± 2-PLC ± 3-PLC ± 4-PLC ± ANGLES ± 3'		APVD K.IKEGAMI 05JAN05	RESTRICTED TO	
MATERIAL △ 1		PRODUCT SPEC 108-5850	SIZE A3	CAGE CODE 00779
FINISH △ 2		APPLICATION SPEC	DRAWING NO C=1827501	SCALE 2:1
		WEIGHT 1.4g	SHEET 1 OF 1	
CUSTOMER DRAWING				REV A