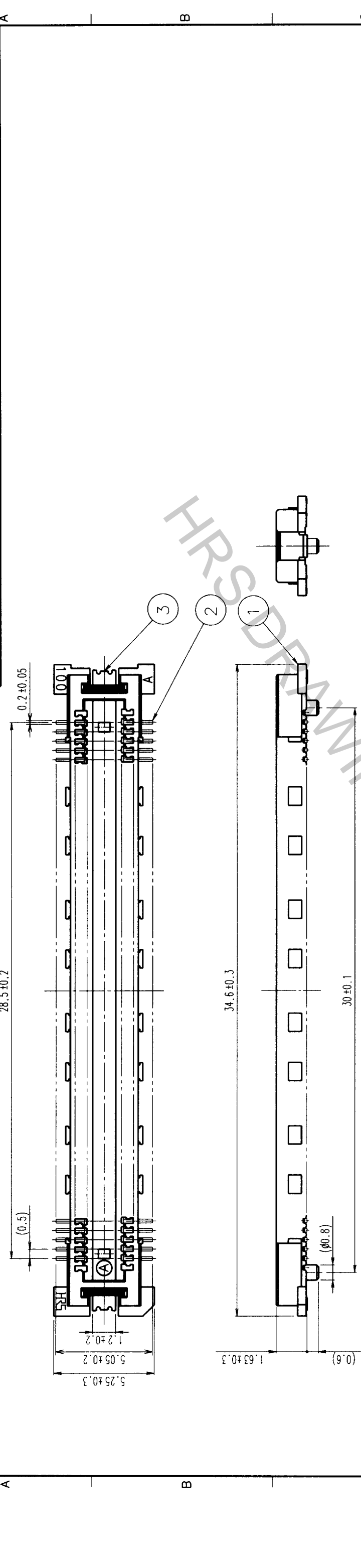
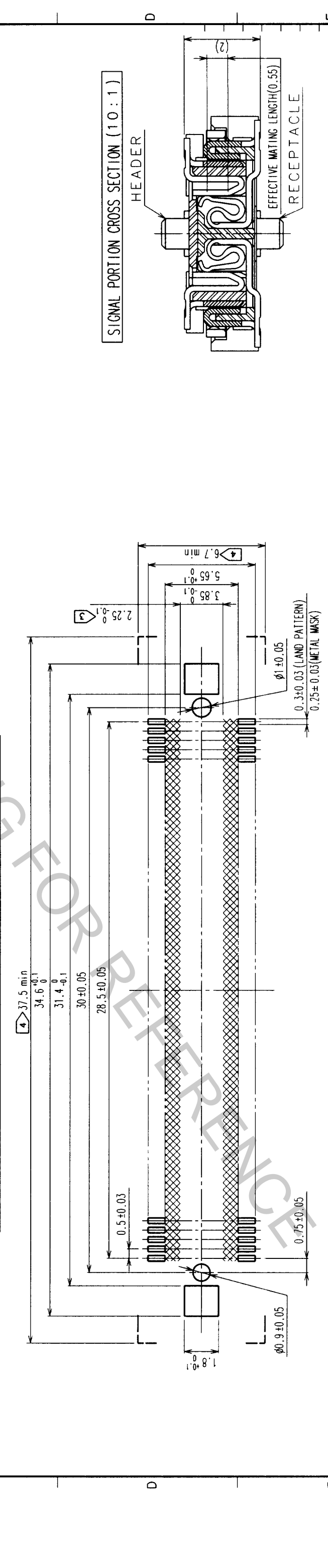


NO.	DESCRIPTION OF REVISIONS	BY	CHKD	DATE	COUNT	DESCRIPTION OF REVISIONS	BY	CHKD	DATE	COUNT
1										
2										
3										
6										
7										
8										



RECOMMENDED LAND PATTERN DIMENSION OF PCB



NO.	MATERIAL	FINISH, REMARKS	NO.	MATERIAL	FINISH, REMARKS	NO.	MATERIAL	FINISH, REMARKS
2	COPPER ALLOY	CONTACT AREA: GOLD (0.1µm) OVER NICKEL						
		LEAD: GOLD FLASH OVER NICKEL						
1	LCP	BEIGE UL94V-0	3	PHOSPHOR BRONZE	TIN PLATED			

CODE NO. (OLD)	CL	DRAWN	DESIGNED	CHECKED	APPROVED	RELEASED

DRAWING NO.	PART NO.
EDC3-152102-01	FX11LA-116P-SV (21)

SCALE	UNITS	CODE NO.
5 : 1	mm	CL573-0044-7-21

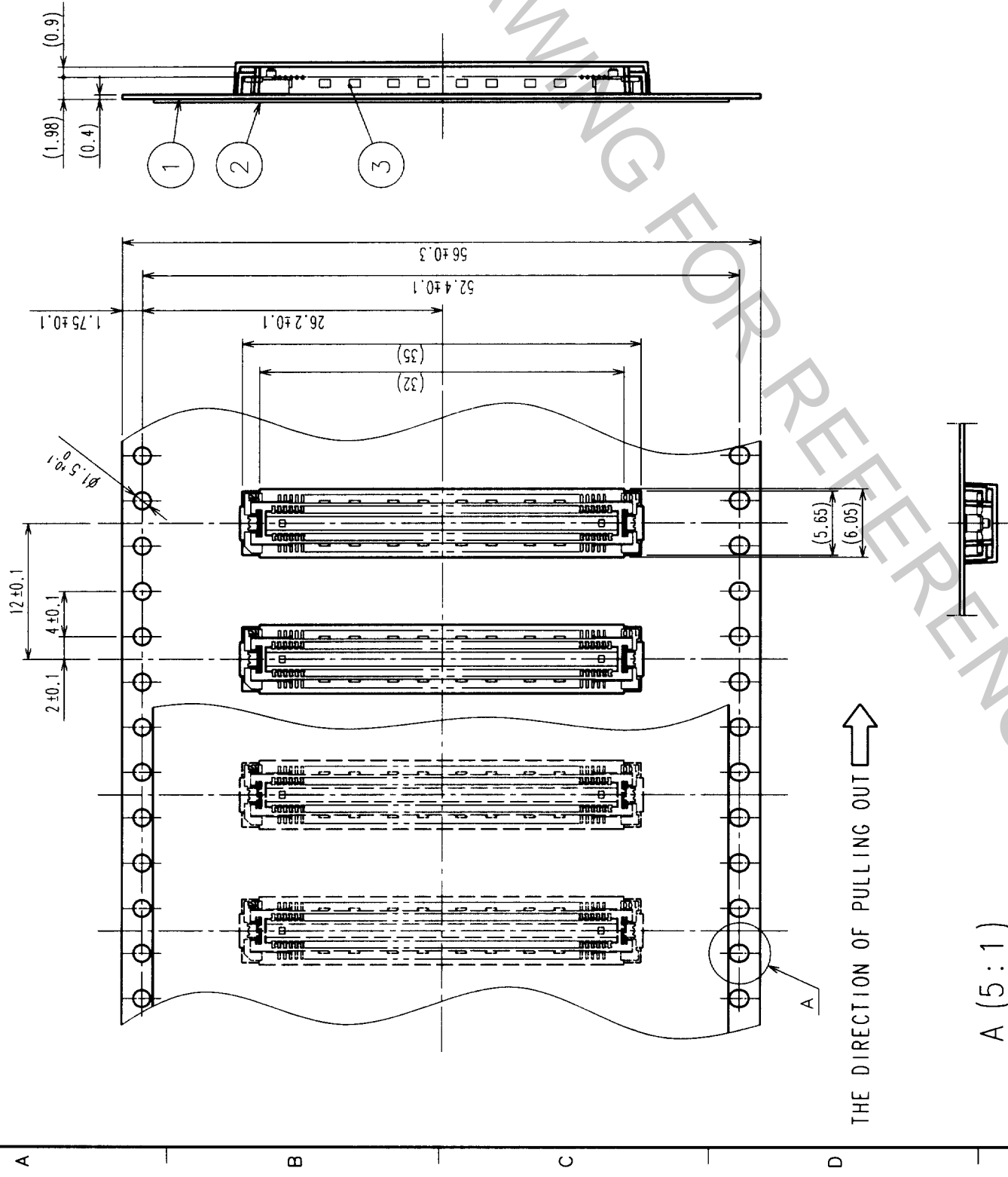
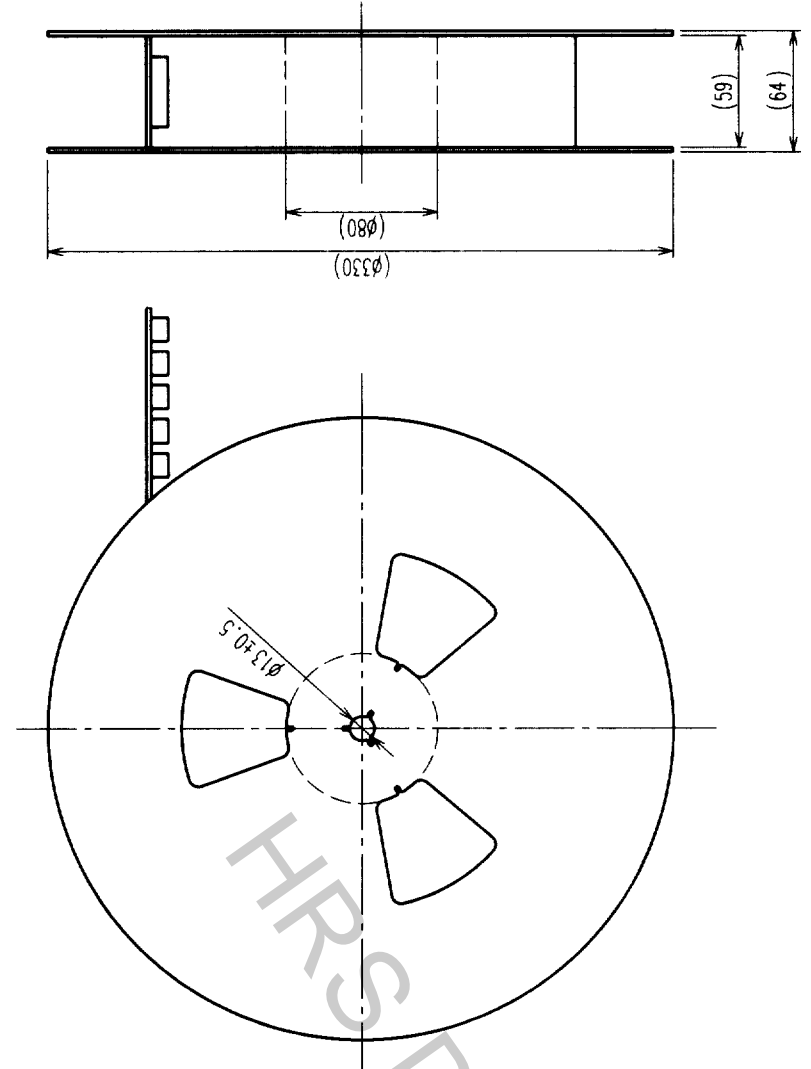
  

TO	PCK

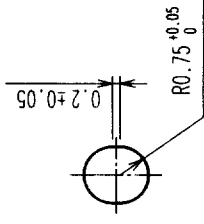
- NOTES
- 1 SMT LEAD-COPLANARITY: 0.1 MAX.
  - 2 THIS PRODUCT HAS NO POLARITY TO PATTERN FOR MOUNTING.
  - 3 MAKE SURE WIDTH OF PATTERN IS WITHIN THAT OF LAND, OR LEAD MAY TOUCH PATTERN. (THIS APPLIES TO HATCHED AREA.)
  - 4 DO NOT MOUNT OTHER DEVICES ONTO [ ] AREA, OR MATING PAIR CANNOT BE MATED.
  - 5 TO BE EMBOSSED CARRIER TAPED AS SPECIFIED IN SHEET 2.

COUNT	DESCRIPTION OF REVISIONS	BY	CHKD	DATE	COUNT	DESCRIPTION OF REVISIONS	BY	CHKD	DATE
△					△				
△					△				
△					△				

REELED DIMENSION (Free)



A (5:1)



- NOTES
- 1 REEL: 1000 CONNECTORS.
  - 2 MINIMUM 10 COMPARTMENTS FROM BOTH REEL ENDS REMAIN EMPTY.
  - 3 THIS PRODUCT HAS NO POLARITY TO TAPE AND REEL PACKAGING.

2	PET	TOP COVER TAPE	3	(CONNECTOR)	FINISH, REMARKS	FINISH, REMARKS	RELEASED
1	PS	EMBOSSED CARRIER TAPE	3				
NO.	MATERIAL	FINISH, REMARKS	NO.	MATERIAL	DESIGNED	CHECKED	APPROVED
CODE NO. (OLD)	CL		DRAWN				
DRAWING FOR PACKING		DRAWN		DESIGNED		APPROVED	
SCALE 2:1		DRAWN		DESIGNED		APPROVED	
UNITS mm		DRAWN		DESIGNED		APPROVED	
DRAWING NO. EDC3-152102-01		DRAWN		DESIGNED		APPROVED	
PART NO. FX11LA-116P-SV(21)		DRAWN		DESIGNED		APPROVED	
CODE NO. CL573-0044-7-21		DRAWN		DESIGNED		APPROVED	

TO	
PCK	



SCALE 2:1

2