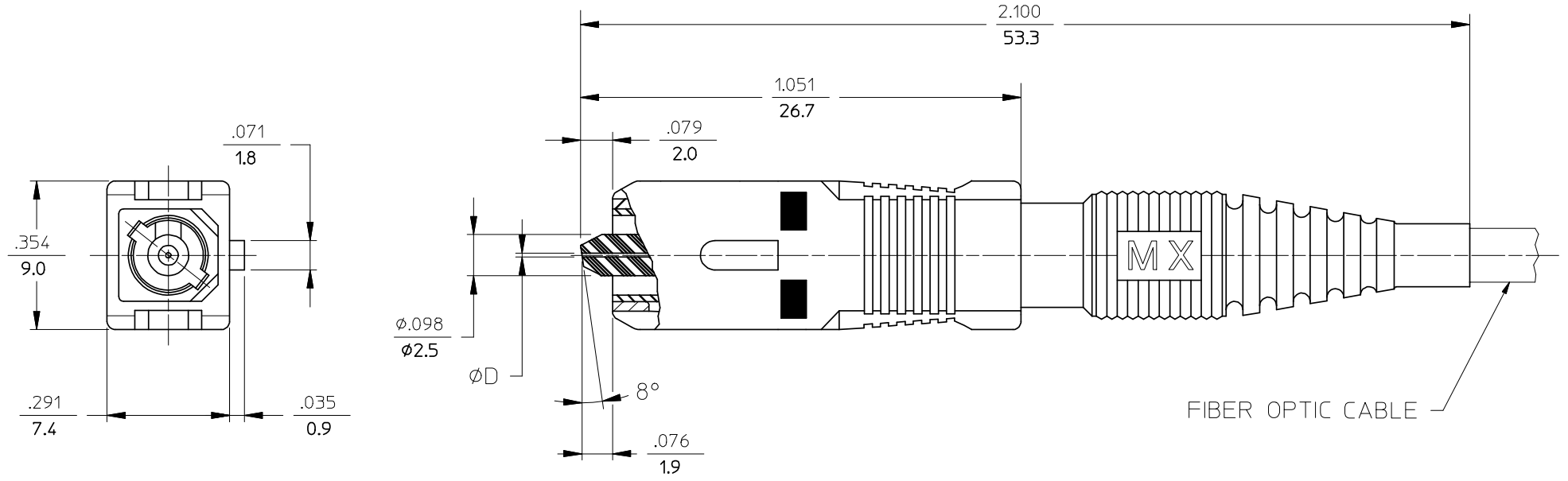


P/N of SC CONNECTOR	∅D (μm)	MATERIAL OF FERRULE	FIBER OPTIC CABLE SIZE(mm)
106065-2000	125.5	Zr	3
106065-2300			2.4
106065-4000	125		3
106065-5000	126		3
106065-5100*			2.4
106065-5300			2.4
106065-5700*		2.4	



NOTES:
 *1. P/N 106065-5100 IS BULK PACKED IN QUANTITIES OF 100 PCS.

ENTER DESCRIPTION EC NO: MF2008-0435 DRAWN:KPEVZNER 2008/04/09 CHKD: 2008/04/09 APPR: IGUMIN 2008/04/10	QUALITY SYMBOLS ▽=0 ▽=0	GENERAL TOLERANCES (UNLESS SPECIFIED) mm INCH 4 PLACES ± --- ± --- 3 PLACES ± --- ± --- 2 PLACES ± --- ± --- 1 PLACE ± --- ± --- ANGULAR ±1/2°	DIMENSION STYLE IN/MM DRAWN BY PGIBLIN DATE 2005/09/26 CHECKED BY DATE APPROVED BY DATE	SCALE 5:1 DESIGN UNITS INCH THIRD ANGLE PROJECTION	TITLE SC APC CONNECTOR
	DRAFT WHERE APPLICABLE MUST REMAIN WITHIN DIMENSIONS	MATERIAL NO. SEE TABLE SIZE B	DOCUMENT NO. SD-106065-XX00 SHEET NO. 1 OF 1	MOLEX INCORPORATED	
	THIS DRAWING CONTAINS INFORMATION THAT IS PROPRIETARY TO MOLEX INCORPORATED AND SHOULD NOT BE USED WITHOUT WRITTEN PERMISSION				
	A1				