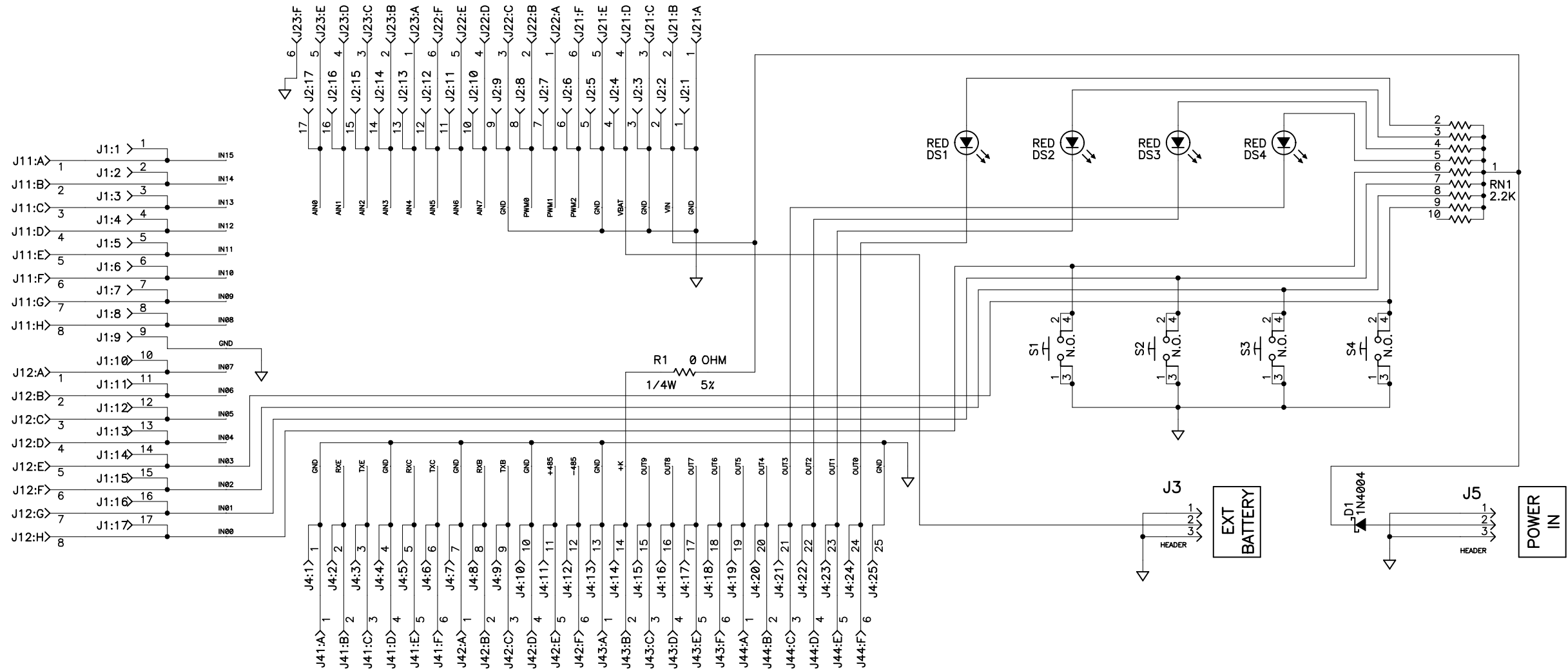


REVISION HISTORY			REVISION APPROVAL			
REV	ECO	DESCRIPTION	PROJECT ENGINEER	APPROVAL DATE	DOCUMENT CONTROL	APPROVAL DATE
A	E11999	INITIAL RELEASE	JF	7/11/02	KIS	7/11/02



APPEND THE FOLLOWING DOCUMENTS WHEN CHANGING THIS DOCUMENT:		DRAWING CONTENT:		TITLE	
		DRAWN BY: (INITIAL RELEASE) J. FENG	15MAR02	LP3500 LOW POWER CONTROLLER PROTOTYPING BOARD	
		REVISED BY:			
APPROVALS: INITIAL RELEASE				SIZE B DWG NO. 090-0151	
		PROJECT ENGINEER: J.FENG	7/11/02		
		ENGINEERING MANAGER: R.MATTHEWS	7/11/02		
		SIGNATURES	DATE	SCALE NONE	RELEASE DATE
				SHEET 1 OF 1	

