

THIS DRAWING IS UNPUBLISHED. RELEASED FOR PUBLICATION 12MAY, 2006.  
 © COPYRIGHT 2006 BY TYCO ELECTRONICS CORPORATION. ALL RIGHTS RESERVED.

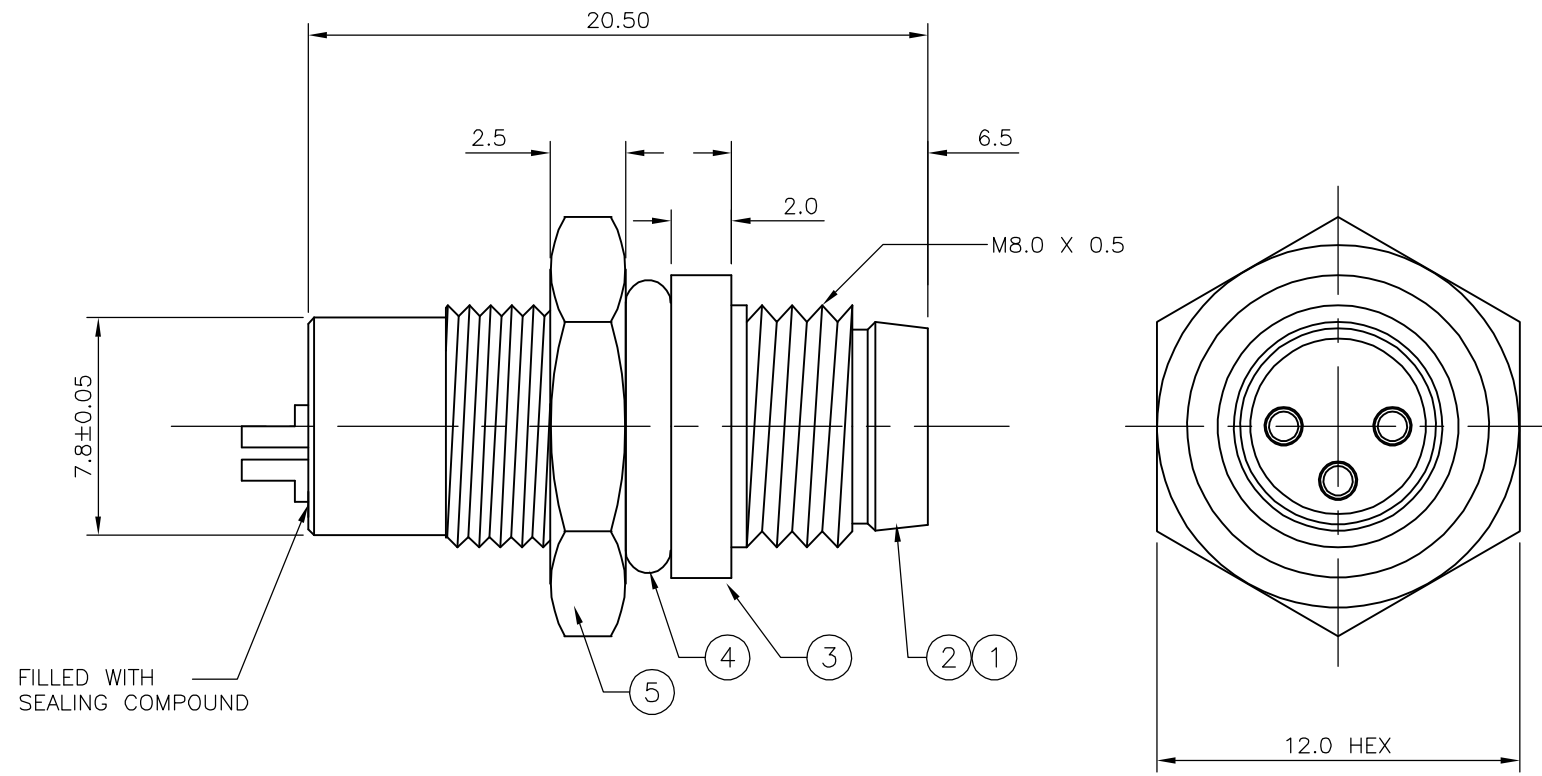
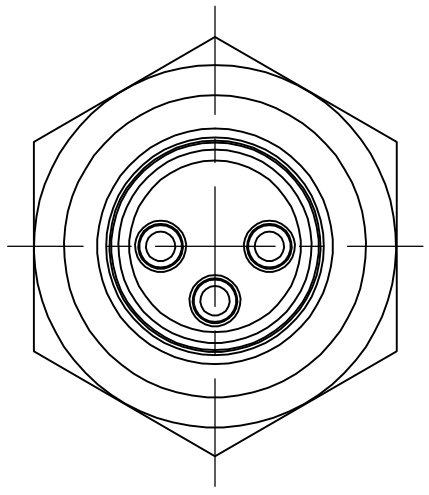
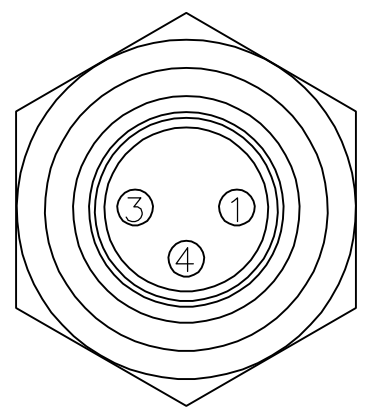
LOC	DIST	REVISIONS			
P	LTR	DESCRIPTION	DATE	DWN	APVD
E	B	A	FIRST ISSUE	12MAY06	AM FWK

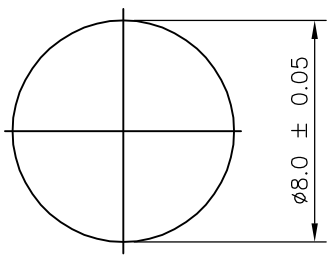
ITEM	DESCRIPTION	MATERIAL	FINISH/COLOUR	QTY
1	CONNECTOR HOUSING	GF NYLON	BLACK	1
2	PIN CONTACT	BRASS	0.15µm GOLD OVER NICKEL	3
3	CONNECTOR BODY	BRASS	NICKEL PLATED	1
4	'O' RING	EPDM	BLACK	1
5	SCREW NUT	BRASS	2.5µm NICKEL PLATED	1

- NOTES:**
- ELECTRICAL DATA: CONTACT RESISTANCE: 10 mOhm MAX  
 INSULATION RESISTANCE: 100 MOhm MIN at 500VDC  
 CURRENT RATING: 5 AMPS FOR 3  
 BREAKDOWN VOLTAGE: 500 VAC MIN PER MINUTE
  - ENVIRONMENTAL: OPERATING TEMPERATURE: -25°C TO +90°C  
 SEALING REQUIREMENTS: IP67
  - PROD SPEC: 108-3641
  - PACKAGING: 107-3334
  - FOR TECHNICAL DATA REFER TO YOUR LOCAL TYCO ELECTRONICS SALES OFFICE.
  - ALL DIMENSIONS ARE NOMINAL FOR REFERENCE ONLY UNLESS OTHERWISE STATED.

PIN ASSIGNMENTS  
FRONT VIEW



RECOMMENDED PANEL CUT-OUT  
(MAX PANEL THICKNESS 3.0mm)



M8 SHIELDED METAL MALE PANEL MOUNT CONNECTOR, SOLDER, STRAIGHT, REAR (CIRCULAR) MOUNTING	3	1814444-1
DESCRIPTION	NO. OF POS	PART NUMBER

THIS DRAWING IS A CONTROLLED DOCUMENT.		DWN A.Morey 12MAY06	Tyco Electronics Corporation Bideford, UK, EX39 4HE	
DIMENSIONS: mm		CHK F.Wheeler-King 14MAY06		
TOLERANCES UNLESS OTHERWISE SPECIFIED:		APVD F.Wheeler-King 14MAY06	NAME M8 SHIELDED METAL MALE PANEL MOUNT CONNECTOR, SOLDER, STRAIGHT, REAR (CIRCULAR) MOUNTING	
0 PLC ± -		PRODUCT SPEC -	SIZE A3 CAGE CODE 00779 DRAWING NO C-1814444 RESTRICTED TO -	
1 PLC ± -		APPLICATION SPEC -	SCALE NTS SHEET 1 OF 1 REV A	
2 PLC ± -		WEIGHT -		
3 PLC ± -		CUSTOMER DRAWING		
4 PLC ± -				
ANGLES ± -				
FINISH -				