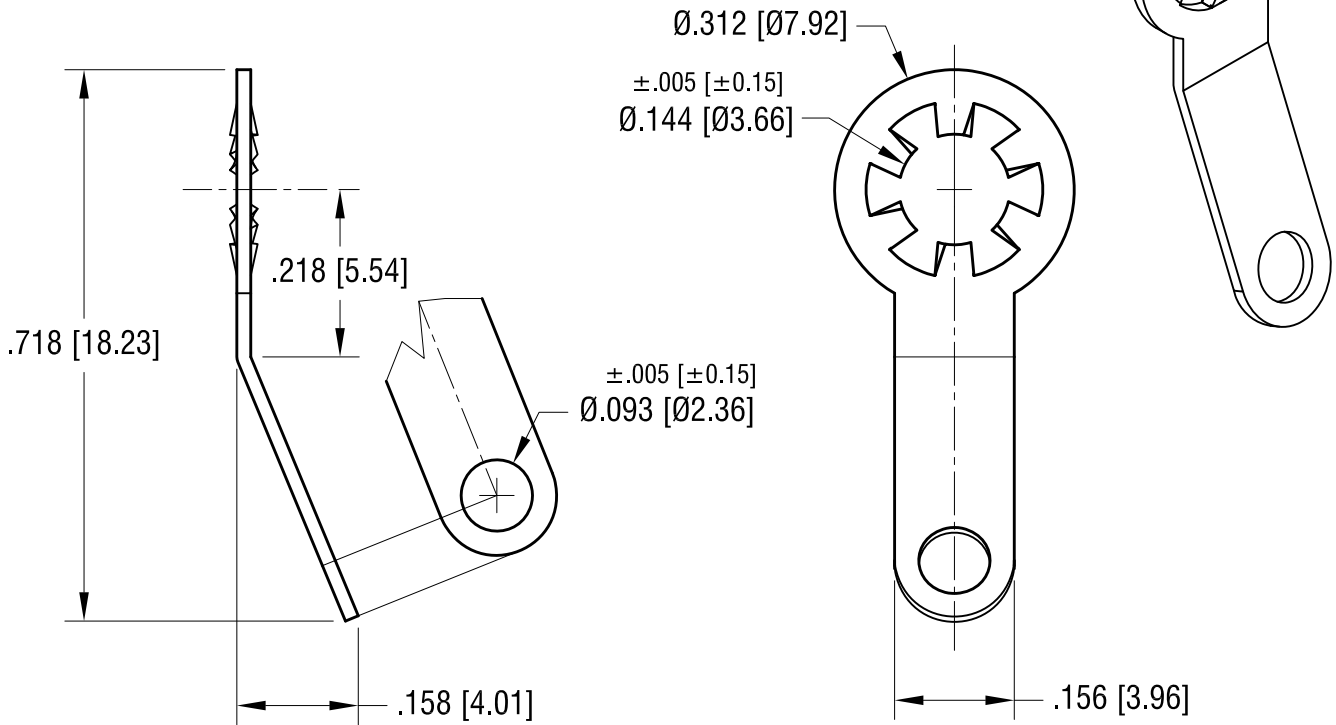


THIS DOCUMENT IS THE PROPERTY OF
KEYSTONE ELECTRONICS CORP. AND
SHALL NOT BE REPRODUCED, DISTRIBUTED
OR USED AS A BASIS FOR MANUFACTURE
WITHOUT PRIOR WRITTEN PERMISSION
FROM KEYSTONE ELECTRONICS CORP.



6.24.09	CHANGE AS PER ECN 09-079	B
1.28.09	CHANGE AS PER ECN 09-006	A
DATE	DESCRIPTION	REV.

KEYSTONE ELECTRONICS CORP.			
www.keyelco.com • ASTORIA, N.Y. 11105-2017 • Tel (718) 956-8900			
PART NAME			
LOCKWASHER TERMINAL LUG			
MATERIAL			
.018 [0.45] TH'K BRASS			
FINISH		DRN BY	DATE
MATTE TIN PLATE		NT	4.03.08
		APP'D	SCALE
		LN	4X
TOLERANCES	INCH	[MM]	CODE
DECIMAL	$\pm .010$	[± 0.25]	DWG NO.
ANGULAR	$\pm 1^\circ$		
UNLESS OTHERWISE SPECIFIED			7315