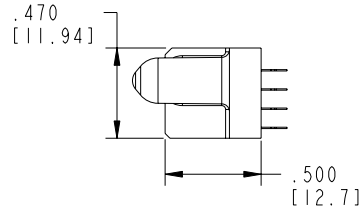
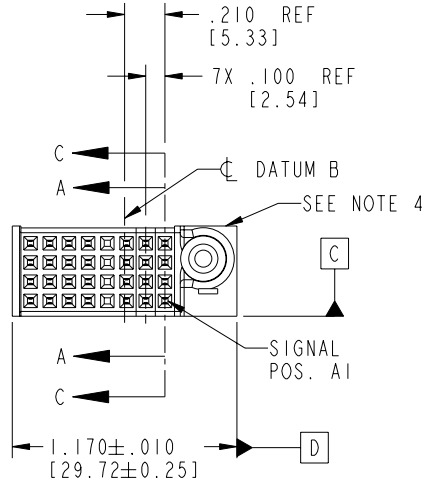


Tous droits strictement reserves. Reproduction ou communication a des tiers interdite sous quelque forme que ce soit sans autorisation écrite du propriétaire. Propriete de c FCI. Droits de reproduction FCI.



All rights strictly reserved. Reproduction or issue to third parties in any form whatever is not permitted without written authority from the proprietor. Property of FCI. Copyright FCI.

PRODUCT NO.	ROWS	SIGNAL								
		8	7	6	5	4	3	2	1	E1
51940-116-- NOTE: ③	D	F	F	F	F	F	X	F	F	
	C	F	F	F	F	F	X	F	F	
	B	F	F	F	F	F	X	F	F	
	A	F	F	F	F	F	X	F	F	



CODE	DIM "M" MATING LENGTH	CONTACT TYPE
F	N/A [N/A]	SIGNAL
X	OMITTED	OMITTED

mat'l code				SEE NOTE 2		tolerances unless otherwise specified		CUSTOMER		 www.fciconnect.com		
ltr	ecn no.	dr	date	linear	.XX±.01/0.X±0.3		COPY		title			
A	DG05-0011	SW	01/17/05		.XXX±.005/0.XX±0.13		projection		32S			
B	DG05-0258	SJ	07/29/05	angles	.XXX±.0020/0.XXX±0.051				VERTICAL PRESS-FIT RECEPT			
					0°±2°		INCH/MM		product family		code	
				dr	STEVEN WANG	01/17/05	scale		PwrBlade		213	
				enr	LH	01/17/05	1:1		size		sheet	
				chr	VICTOR LIN	01/17/05			dwg no		1 of 4	
				appd	JOSEPH HSIA	01/17/05			A		51940-116	
sheet index		revision sheet		B	B	B	B					
				1	2	3	4					

cage code 22526 4

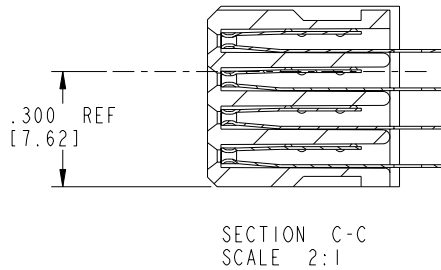
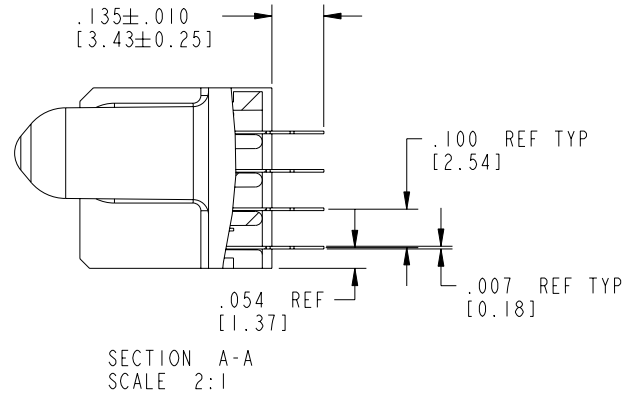
Pro/E


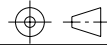

Tous droits strictement réservés. Reproduction ou communication a des tiers interdite sous quelque forme que ce soit sans autorisation écrite du propriétaire. Propriété de c FCI. Droits de reproduction FCI.

**A**  
**FCI**

All rights strictly reserved. Reproduction or issue to third parties in any form whatever is not permitted without written authority from the proprietor. Property of FCI. Copyright FCI.

PRODUCT NUMBER  
51940-116--  
NOTE: ③



mat'l code				SEE NOTE 2		tolerances unless otherwise specified		CUSTOMER		 www.fciconnect.com	
ltr	ecn no.	dr	date	linear	.XX ± .01/0.X ± 0.3		COPY		title		
B					.XXX ± .005/0.XX ± 0.13		projection		32S		
				angles	.XXX ± .0020/0.XXX ± 0.051				VERTICAL PRESS-FIT RECEPT		
				dr	STEVEN WANG	01/17/05	INCH/MM		product family		code
				enr	LH	01/17/05			PwrBlade		213
				chr	VICTOR LIN	01/17/05	scale		size	dwg no	sheet
				appd	JOSEPH HSIA	01/17/05	1:1		A	51940-116	2 of 4
sheet index	revision sheet										

Pro/E

cage code 22526

**PDM: Rev:B**

STATUS: **Released**

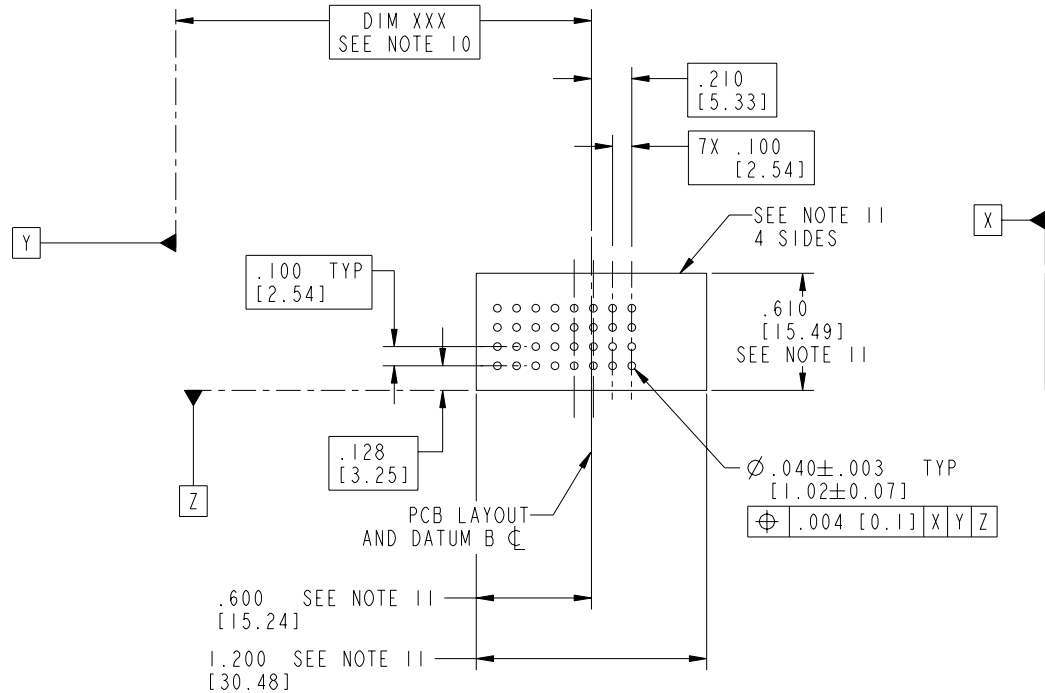
Printed: Dec 20, 2010

Tous droits strictement reserves. Reproduction ou communication a des tiers interdite sous quelque forme que ce soit sans autorisation écrite du propriétaire. Propriete de c FCI. Droits de reproduction FCI.



All rights strictly reserved. Reproduction or issue to third parties in any form whatever is not permitted without written authority from the proprietor. Property of FCI. Copyright FCI.

PRODUCT NUMBER  
51940-116--  
NOTE: ③



mat'l code		SEE NOTE 2		tolerances unless otherwise specified		CUSTOMER		www.fciconnect.com	
ltr	ecn no.	dr	date	linear	.XX±.01/0.X±0.3	COPY			
B				linear	.XXX±.005/0.XX±0.13	projection		title	32S
				angles	.XXX±.0020/0.XXX±0.051			VERTICAL PRESS-FIT RECEPT	
				dr	STEVEN WANG 01/17/05	INCH/MM		product family	PwrBlade
				enr	LH 01/17/05	scale		size	dwg no
				chr	VICTOR LIN 01/17/05	1:1		A	51940-116
				appd	JOSEPH HSIA 01/17/05			code	213
sheet index	revision sheet							sheet	3 of 4

cage code 22526

Pro/E

PDM: Rev:B

STATUS: Released

Printed: Dec 20, 2010

Tous droits strictement réservés. Reproduction ou communication a des tiers interdite sous quelque forme que ce soit sans autorisation écrite du propriétaire. Propriété de c FCI. Droits de reproduction FCI.

**A** **FCI**

All rights strictly reserved. Reproduction or issue to third parties in any form whatever is not permitted without written authority from the proprietor. Property of FCI. Copyright FCI.

**B**

PRODUCT NUMBER  
51940-116\_\_  
NOTE: ③

NOTES:

1. DIMENSIONS AND TOLERANCES ARE IN ACCORDANCE WITH ASME Y14.5M, 1994 UNLESS OTHERWISE SPECIFIED.

CONNECTOR NOTES:

② HOUSING MATERIAL: UL 94 V-0 GLASS FILLED  
HIGH-TEMP THERMOPLASTIC  
POWER CONTACT MATERIAL: COPPER ALLOY  
SIGNAL PIN MATERIAL: COPPER ALLOY

3. PLATING:

51940-116 Singal Pin:30u"/0.76um Au OVER 50u"/1.27um Ni ON THE CONTACT AREA,  
AND 100u"/2.54um SnPb PLATING OVER 50u"/1.27um Ni ON THE TERMINATION SECTION.  
Power Pin:30u"/0.76um Au OVER 50u"/1.27um Ni ON THE CONTACT AREA,  
AND 100u"/2.54um SnPb PLATING OVER 50u"/1.27um Ni ON THE TERMINATION SECTION.

51940-116LF Singal Pin:30u"/0.76um Au OVER 50u"/1.27um Ni ON THE CONTACT AREA,  
AND 78u"/2.00um Sn PLATING OVER 50u"/1.27um Ni ON THE TERMINATION SECTION.  
Power Pin:30u"/0.76um Au OVER 50u"/1.27um Ni ON THE CONTACT AREA,  
AND 78u"/2.00um Sn PLATING OVER 50u"/1.27um Ni ON THE TERMINATION SECTION.

PART NUMBER 51940-116LF MEETS EUROPEAN UNION DIRECTIVE AND OTHER COUNTRY REGULATIONS AS DESCRIBED IN GS-22-008.

THE HOUSING WILL WITHSTAND EXPOSURE TO 260° PEAK TEMPERATURE FOR 10 SECONDS IN A WAVE SOLDER APPLICATION WITH A CIRCUIT BOARD.

④ MANUFACTURER'S NAME, P/N, AND DATE CODE TO APPEAR ON THIS SURFACE.

5. PRODUCT SPECIFICATION GS-12-149.  
APPLICATION SPECIFICATION BUS-20-067.

6. PACKAGED IN TRAYS.

PCB NOTES:


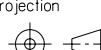

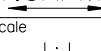
7. ALL HOLE DIAMETERS ARE FINISHED HOLE SIZE.

⑧ MOUNTING HOLES, WHERE APPLICABLE, ARE UNPLATED.

⑨  $\varnothing .0453 \pm .0010$  [1.151±0.025] DRILLED HOLES PLATED WITH  
.0003 [0.008] MIN SnPb OVER .001 [0.03]  
TO .003 [0.08] Cu PLATING TO ACHIEVE  
 $\varnothing .040 \pm .003$  [1.02±.07] HOLE.

⑩ "DIM XXX" TO BE DETERMINED BY THE CUSTOMER.

⑪ CONNECTOR KEEP-OUT ZONE.

mat'l code		SEE NOTE 2		tolerances unless otherwise specified		CUSTOMER		 <a href="http://www.fciconnect.com">www.fciconnect.com</a>	
ltr	ecn no.	dr	date	linear	.XX±.01/0.X±0.3	COPY			
B				projection	.XXX±.005/0.XX±0.13			title	32S
				angles	.XXXX±.0020/0.XXX±0.051			VERTICAL PRESS-FIT RECEPT	
				dr	STEVEN WANG 01/17/05	INCH/MM		product family	PwrBlade
				enr	LH 01/17/05			code	213
				chr	VICTOR LIN 01/17/05	scale		size	dwg no
				appd	JOSEPH HSIA 01/17/05	1:1		A	51940-116
sheet index	revision sheet							sheet	4 of 4

1 | 2

Pro/E

3 |

cage code 22526

4