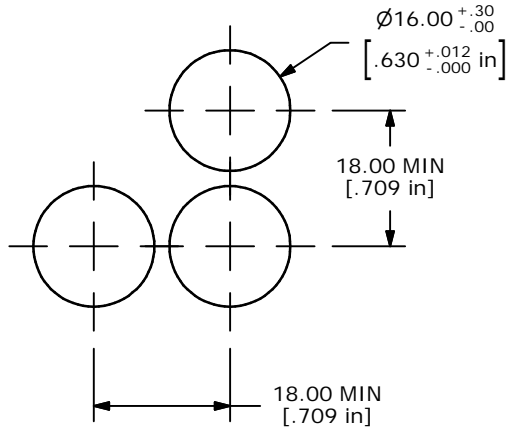
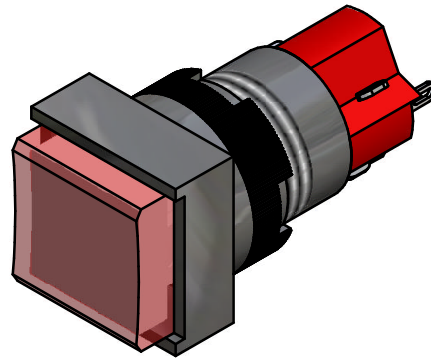
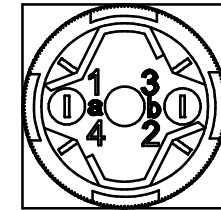
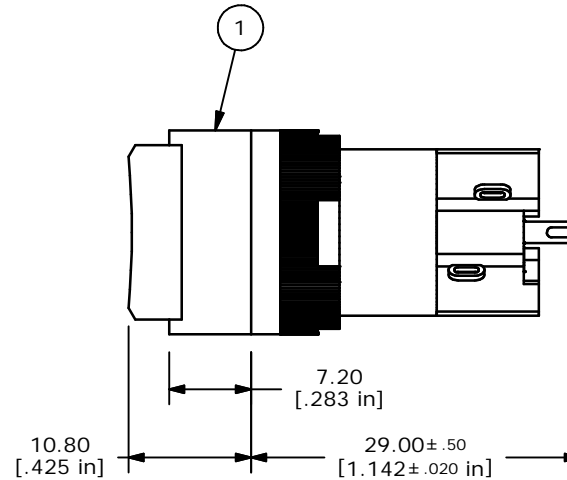
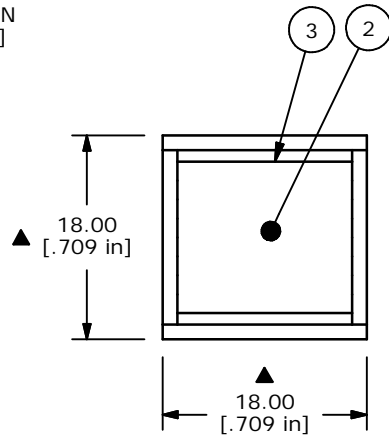
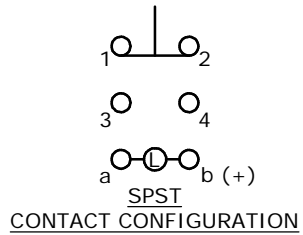


ITEM	QTY	PART NUMBER	DESCRIPTION
1	1	F040008	D16OAS11
2	1	F050412	50-004-12 110VAC RED NEON
3	1	F050304	50-003-04 TRANSPARENT RED CONCAVE



PANEL MOUNTING



NOTE:

1. ALL DIMENSIONS IN MM [INCH]
2. GENERAL TOLERANCE: X.X=±0.4
X.XX=±0.25
3. TERMINAL NUMBERS FOR REF ONLY
4. MECHANICAL LIFE: 2,000,000 OPERATIONS
5. INSULATION RESISTANCE: 1,000 MILLI-OHM MIN.
6. OPERATING TEMP.: -25°C to 55°C
- ▲ 7. LAMP VOLTAGE: 110VAC RED NEON
8. ▲ DENOTES CRITICAL PARAMETER.

E-SWITCH®

TITLE D16OAS11FREDRED

A	14734	RELEASED FOR PRODUCTION	3/4/05	AR
REV	PCR NO	DESCRIPTION	DATE	BY

THE INFORMATION CONTAINED IN THIS DOCUMENT IS PROPRIETARY TO E-SWITCH AND IS NOT TO BE COPIED OR TRANSFERRED

SCALE	DATE	DR	DWG	REV
1.5:1	3/4/05	AR	XF0630P	A