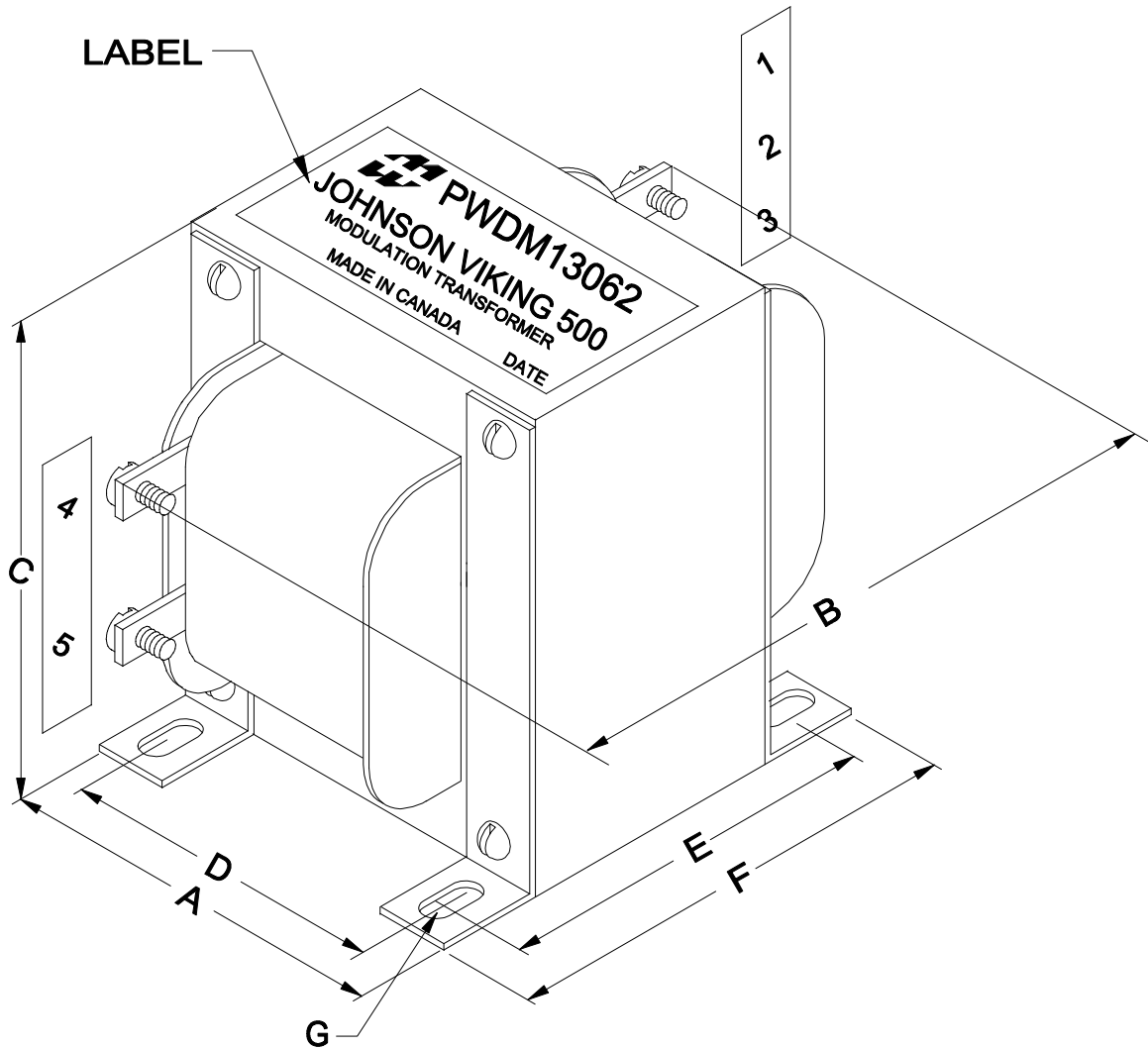
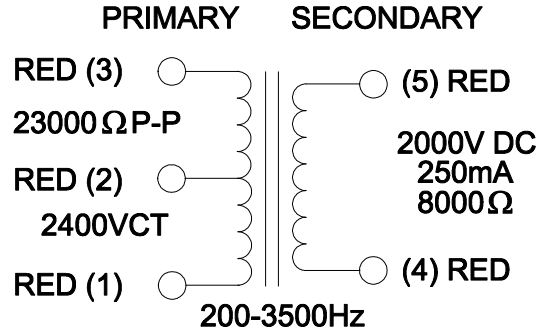


DIMENSIONS:	
A	5.313" ±0.063
B	6.000" ±0.125
C	6.375" ±0.063
D	4.250" ±0.063
E	4.125" ±0.063
F	5.250" ±0.063
G	0.281" X 0.563" ±0.015



ELECTRONIC DIVISION
 52 RANKIN PLACE,
 WATERLOO, ONTARIO, N2J 3Z5
 PH # (519) 886-6181
 FAX # (519) 886-9540

TITLE
JOHNSON VIKING 500
 MODULATION TRANSFORMER

NO	DATE	REVISION	DWG. BY
0	06/26/15	RELEASED. C.I.	CORINA ILIE
			DATE
			06/26/15
			DIM IN()MM()

PWDM13062