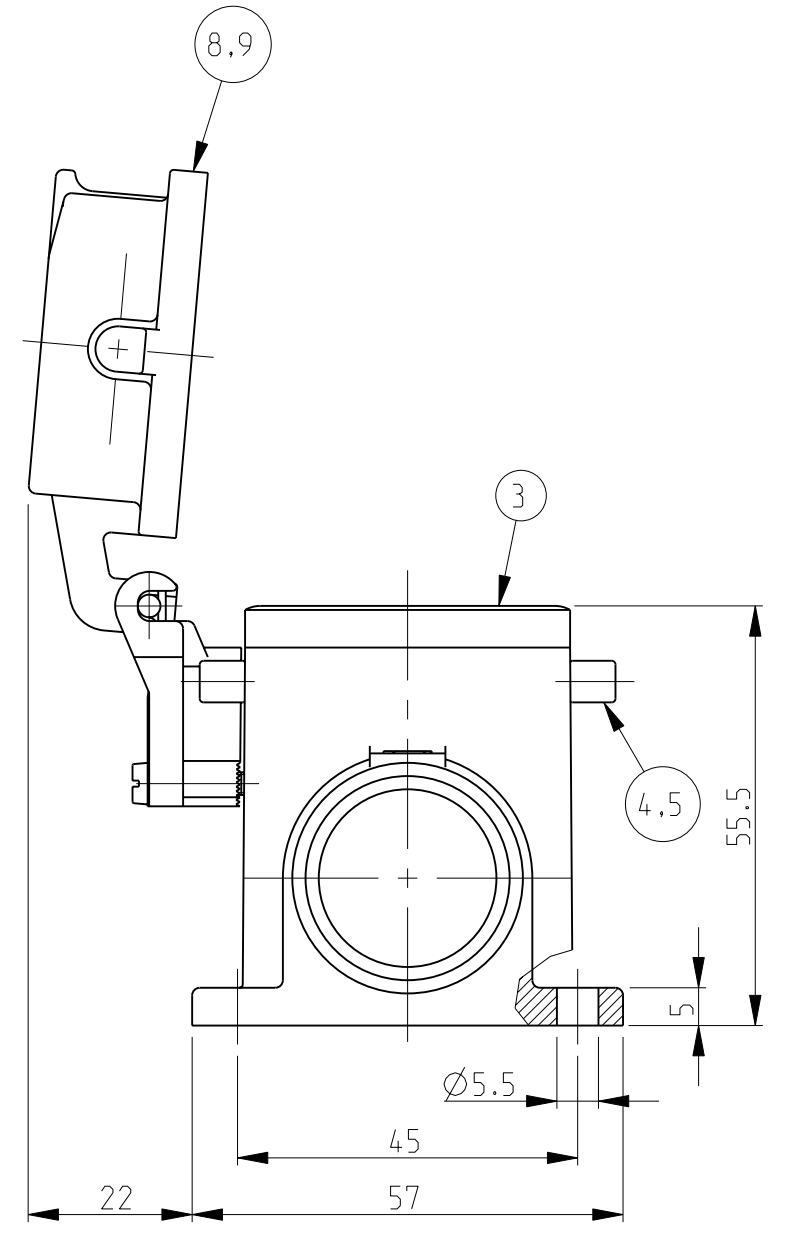
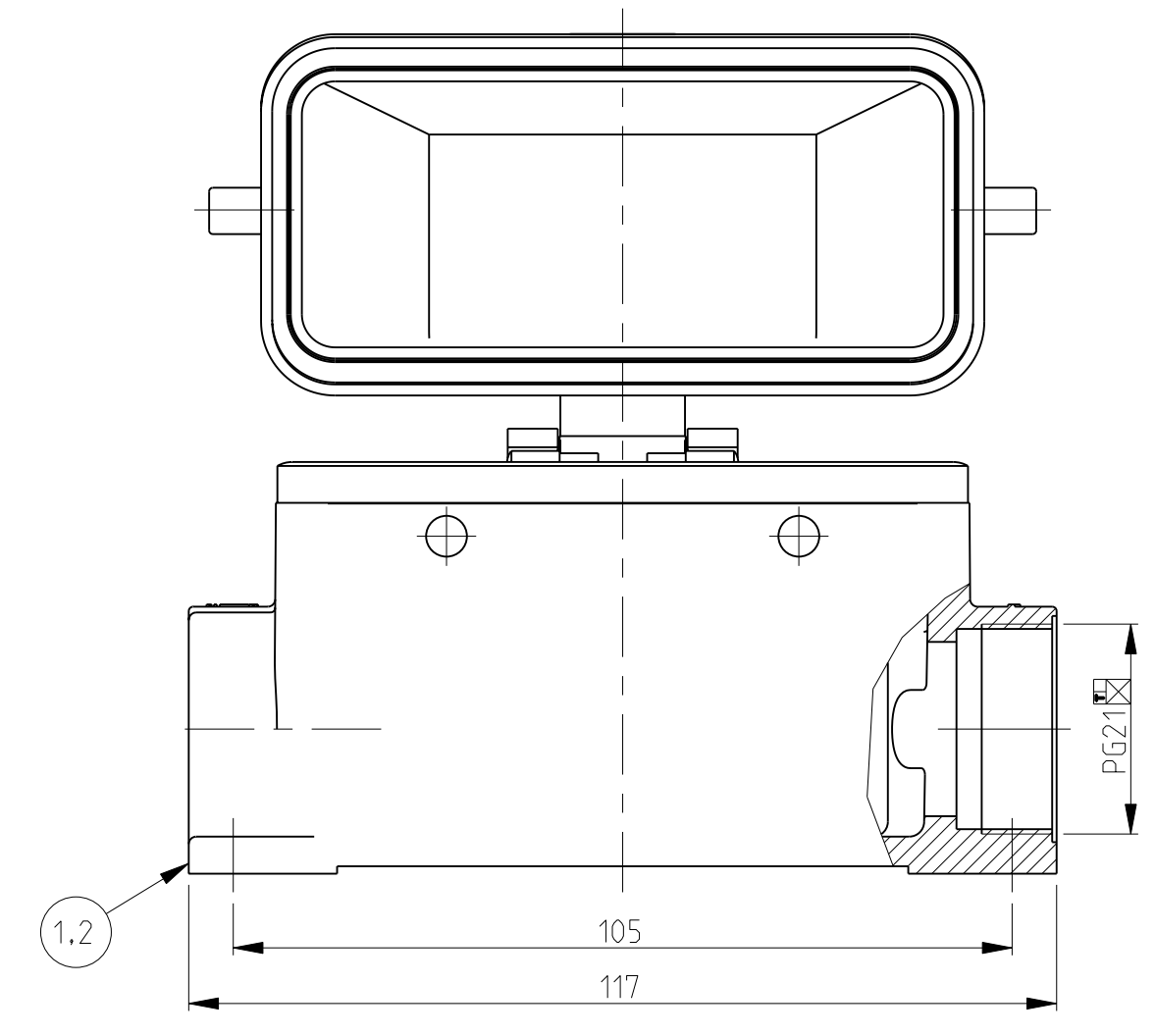


LOC	DIST	REV	DESCRIPTION	DATE	DWN	APVD
A1	-	A2	Released as per ECR-08-017827	16.July.2008	SP	TS

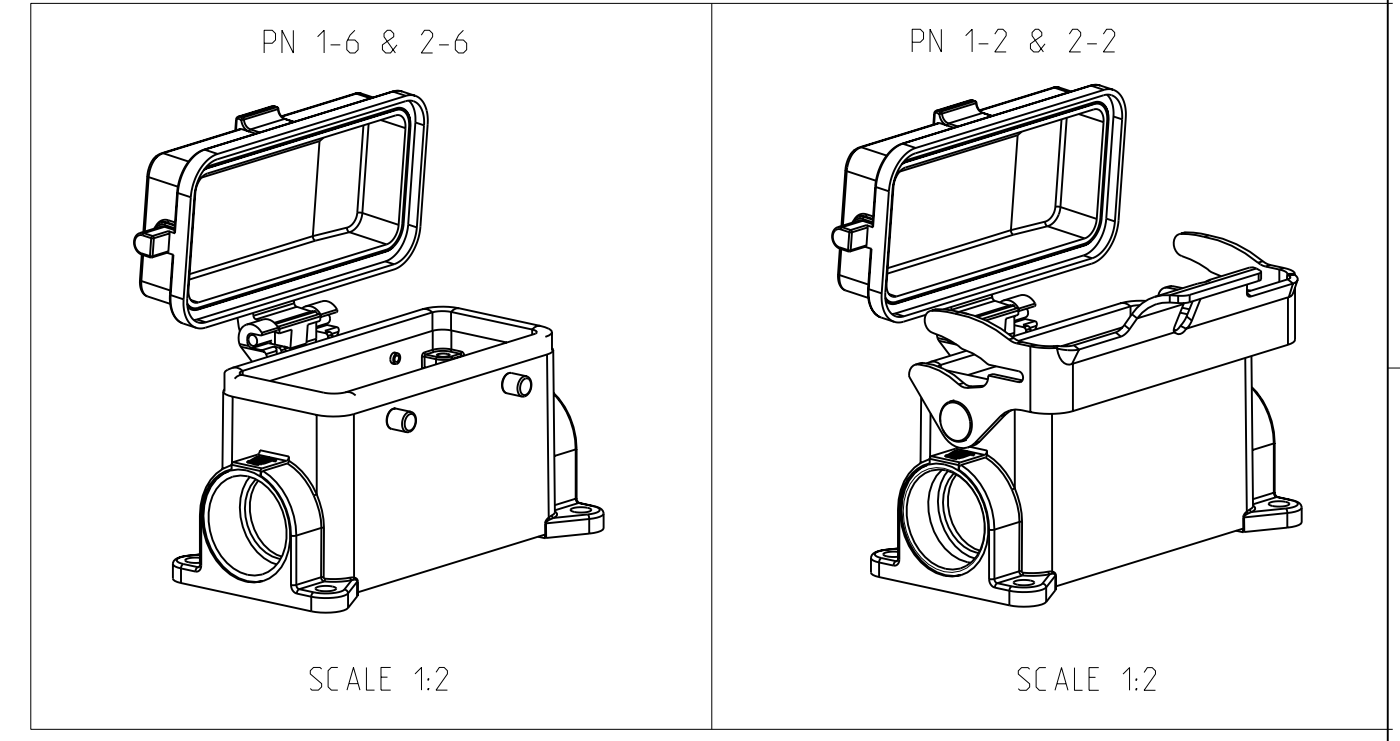
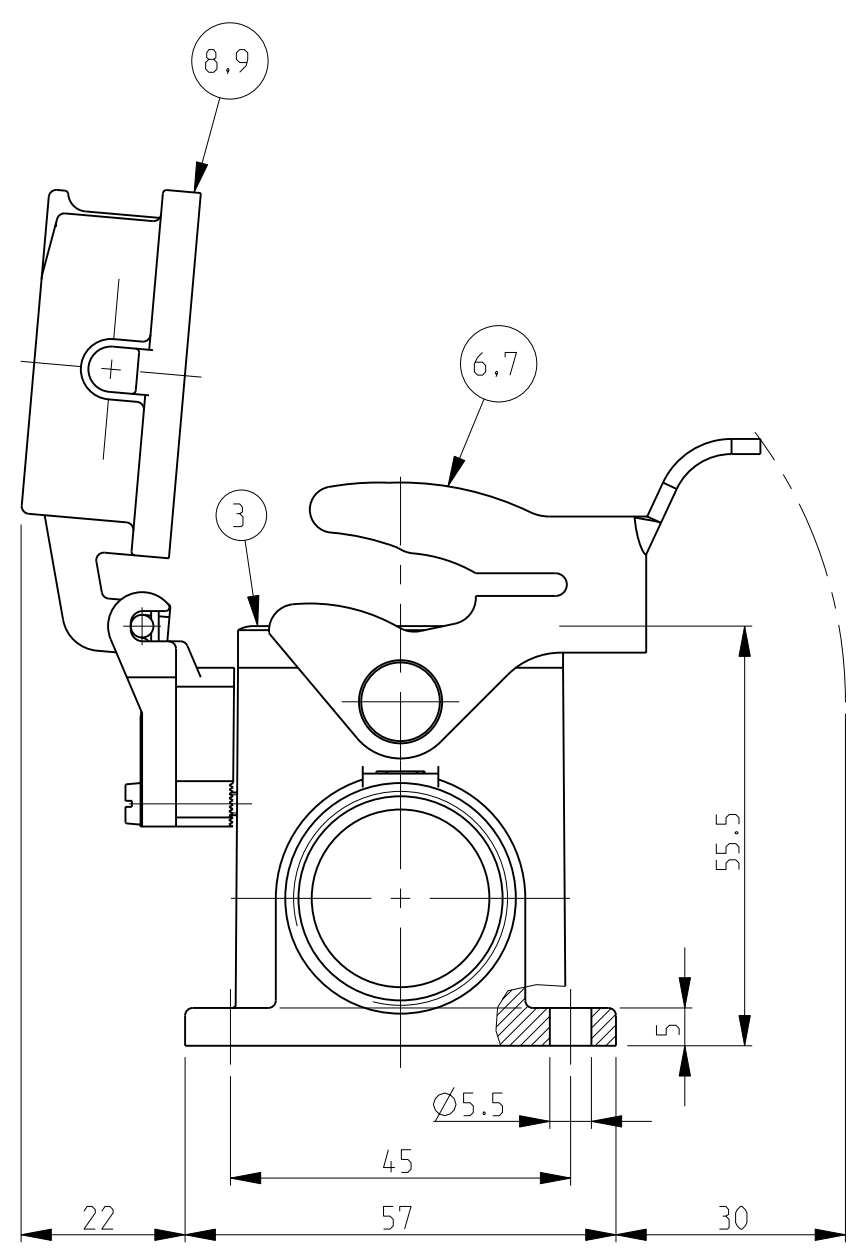
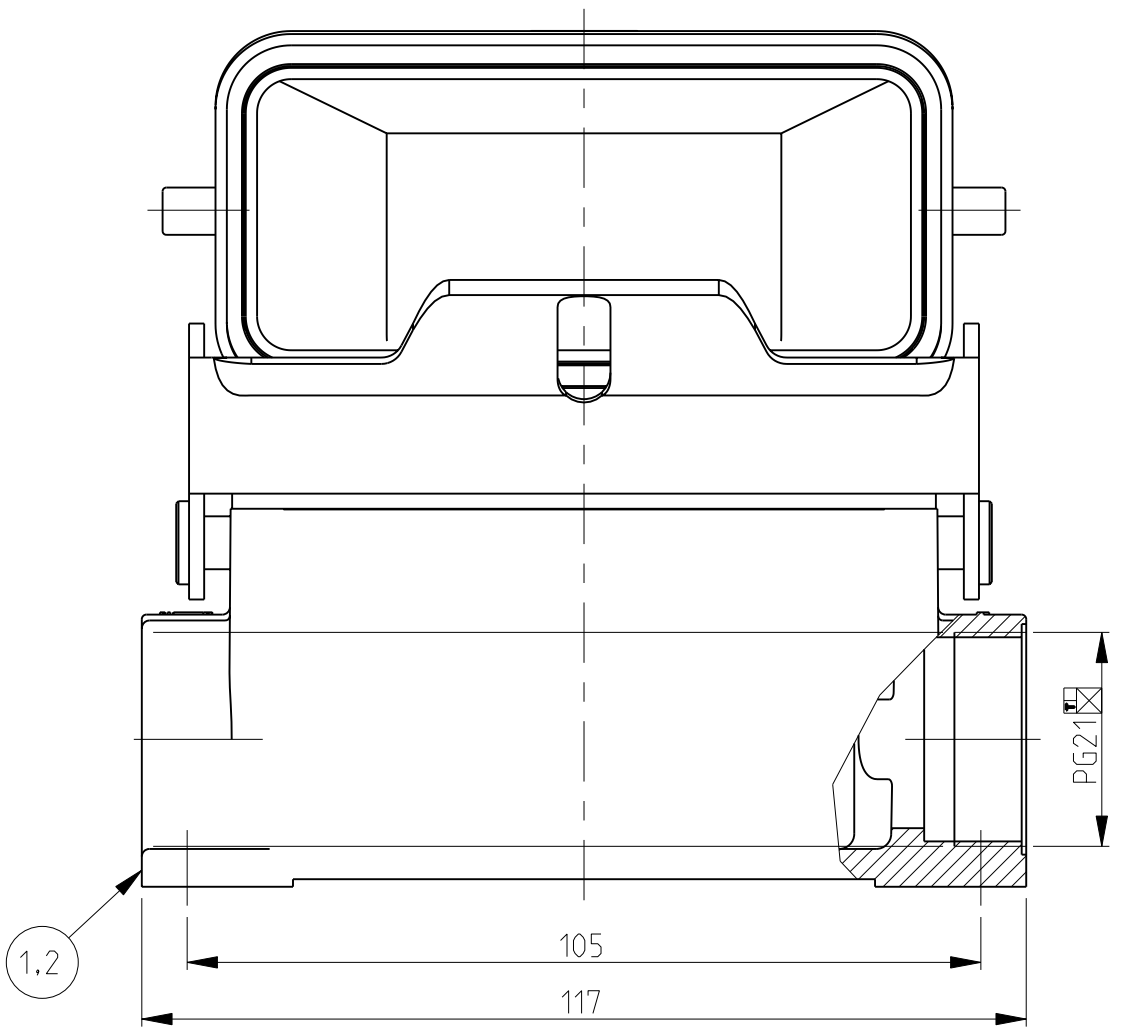
PN 1-6 & 2-6



NOTES.

- 1 Material:Housing:Aluminium Diecasting Alloy  
Seals:Neoprene
- 2 Surface:Varnish  
-Aluminium Oxide +Varnish Black  
-Grey
- 3 Varnish on the inside not necessary
- 4 Packaging  
Quantity 5 Pieces in a box

PN 1-2 & 2-2



QTY	DESCRIPTION	MATERIAL	SURFACE	COLOR	ITEM NO	REMARKS		
1	1	Cover finished product HB-K	Aluminium	Aluminium oxide	Black RAL 9005	9		
1	1	Cover finished product HB	Aluminium		Grey RAL 7001	8		
1		LB-Side clip	Stainless steel	Blank		7		
1		LB-Side clip	Steel	Zinc plated	Blue	6		
4		VS-Clip bolt	Stainless steel	Blank		5		
4		VS-Clip bolt	Steel	Zinc plated	Blue	4		
1	1	Profile seal	Neoprene		Black	3		
1	1	Surface mounted housing side entry HB-K	Aluminium	Aluminium oxide	Black RAL 9005	2		
1	1	Surface mounted housing side entry HB	Aluminium		Grey RAL 7001	1		
2-2	1-2	1-6	DESCRIPTION	MATERIAL	SURFACE	COLOR	ITEM NO	REMARKS
ORDERING TEXT								
HB.16.SGD.1.21.Z								
HB-K.16.SGD.1.21.Z								
HB.16.SGD-LB.1.21.Z								
HB-K.16.SGD-LB.1.21.Z								

DIMENSIONS: mm 		TOLERANCES UNLESS OTHERWISE SPECIFIED: 0 PLC ± 1 PLC ± 2 PLC ± 3 PLC ± 4 PLC ± ANGLES ±		DWN Schneider 08.05.2003 CHK Schneider 08.05.2003 APVD - NAME - PRODUCT SPEC 108-74001.74003 APPLICATION SPEC 114-74001.74004 WEIGHT - CUSTOMER DRAWING		Tyco Electronics AMP GmbH 0-53819,Neunkirchen,Germany NAME Surface mounted housing side entry HB.16.SGD.1.21.Z SIZE CAGE CODE DRAWING NO A1 00779 C=1102308 RESTRICTED TO - SCALE 1:1 SHEET 1 OF 1 REV A2	
-----------------------	--	-----------------------------------------------------------------------------------------------------------	--	------------------------------------------------------------------------------------------------------------------------------------------------------------------------------	--	--------------------------------------------------------------------------------------------------------------------------------------------------------------------------------------------------------------------------	--