

# FAL5F (76<sup>□</sup> x 28<sup>L</sup>)



EMINEBEA.COM

## General Specifications

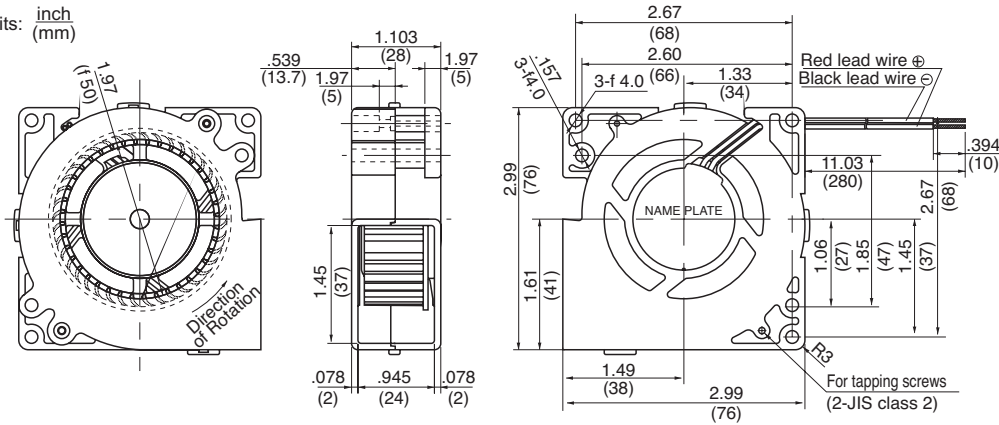
**Allowable Ambient Temperature Range:**  
 -10°C ~ +60°C (65% RH) (Operating)  
 -40°C ~ +75°C (65% RH) (Storage)  
 (non-condensing environment)

## Expected Life

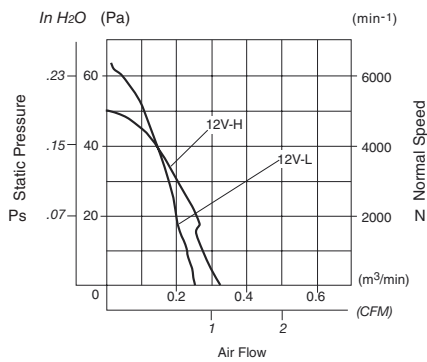
**Failure Rate: 10%**  
 40,000 Hours (25°C, 65%RH)

## Outline

Units:  $\frac{\text{inch}}{\text{mm}}$



## Characteristic Curves



## Material

Bearing: Hydro Wave Bearing

## Specifications

MODEL	Rated Voltage	Operating Voltage	Current	Input Power	Rated Speed	Max. Air Flow		Max. Static Pressure		Noise	Mass
	(V)	(V)	(A) <sup>*1</sup>	(W) <sup>*1</sup>	(min <sup>-1</sup> ) <sup>*1</sup>	CFM <sup>*1</sup>	(m³/min) <sup>*1</sup>	in H <sub>2</sub> O	(Pa) <sup>*1</sup>	(dB) <sup>*1</sup>	(g)
FAL5F 12LL	12	7.0 ~ 13.8	140	1.68	2400	8.83	0.25	.24	60.8	30.0	100
FAL5F 12LH	12	7.0 ~ 13.8	200	2.40	2900	10.6	0.30	.39	98.0	36.0	100
FAL5F 24LL	24	14.0 ~ 27.6	70	1.68	2400	8.83	0.25	.24	60.8	30.0	100
FAL5F 24LH	24	14.0 ~ 27.6	100	2.40	2900	10.6	0.30	.38	95.1	36.0	100

Rotation: Clockwise

Airflow Outlet: Air Out Over Struts

\*1: Average Values in Free Air