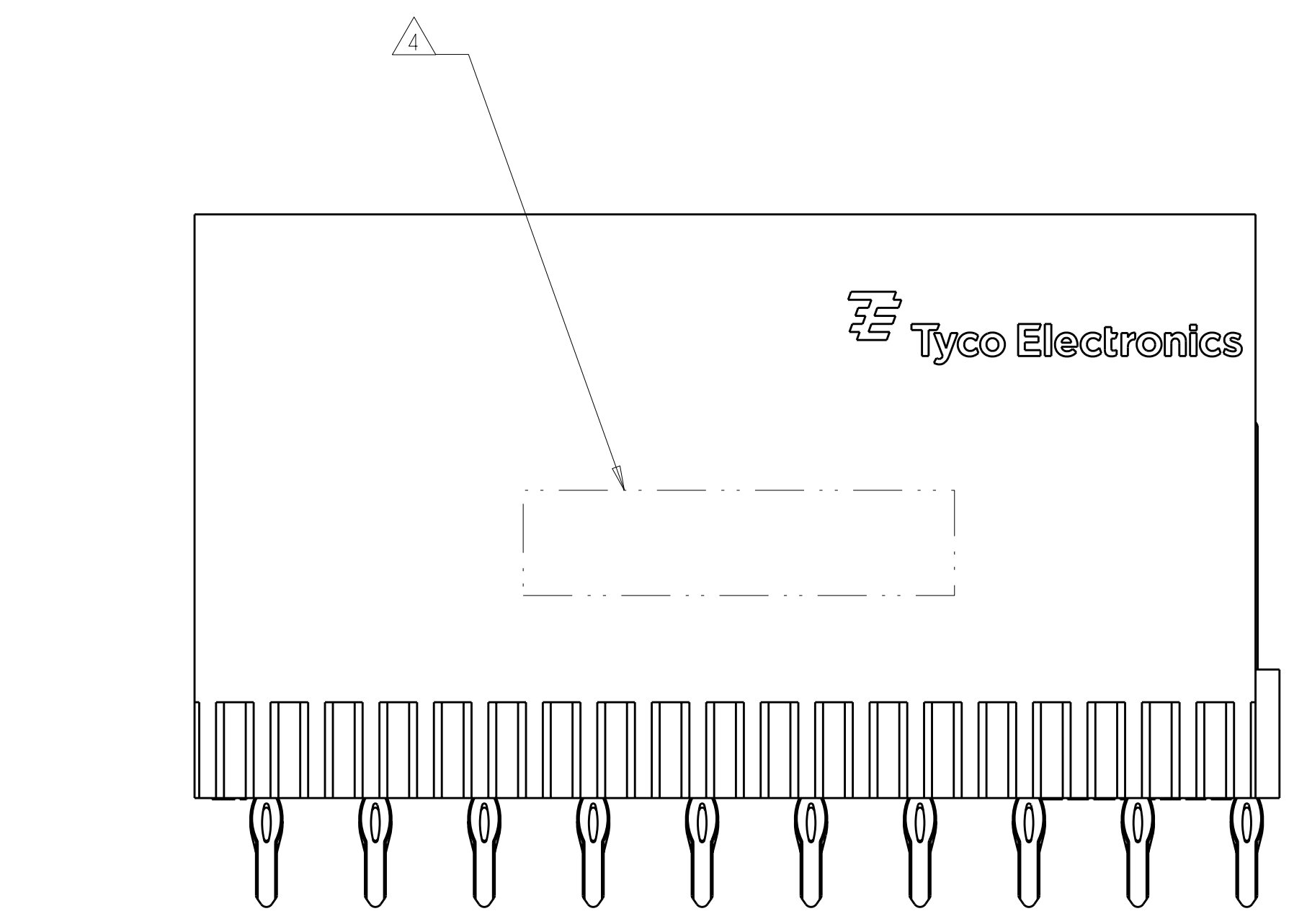
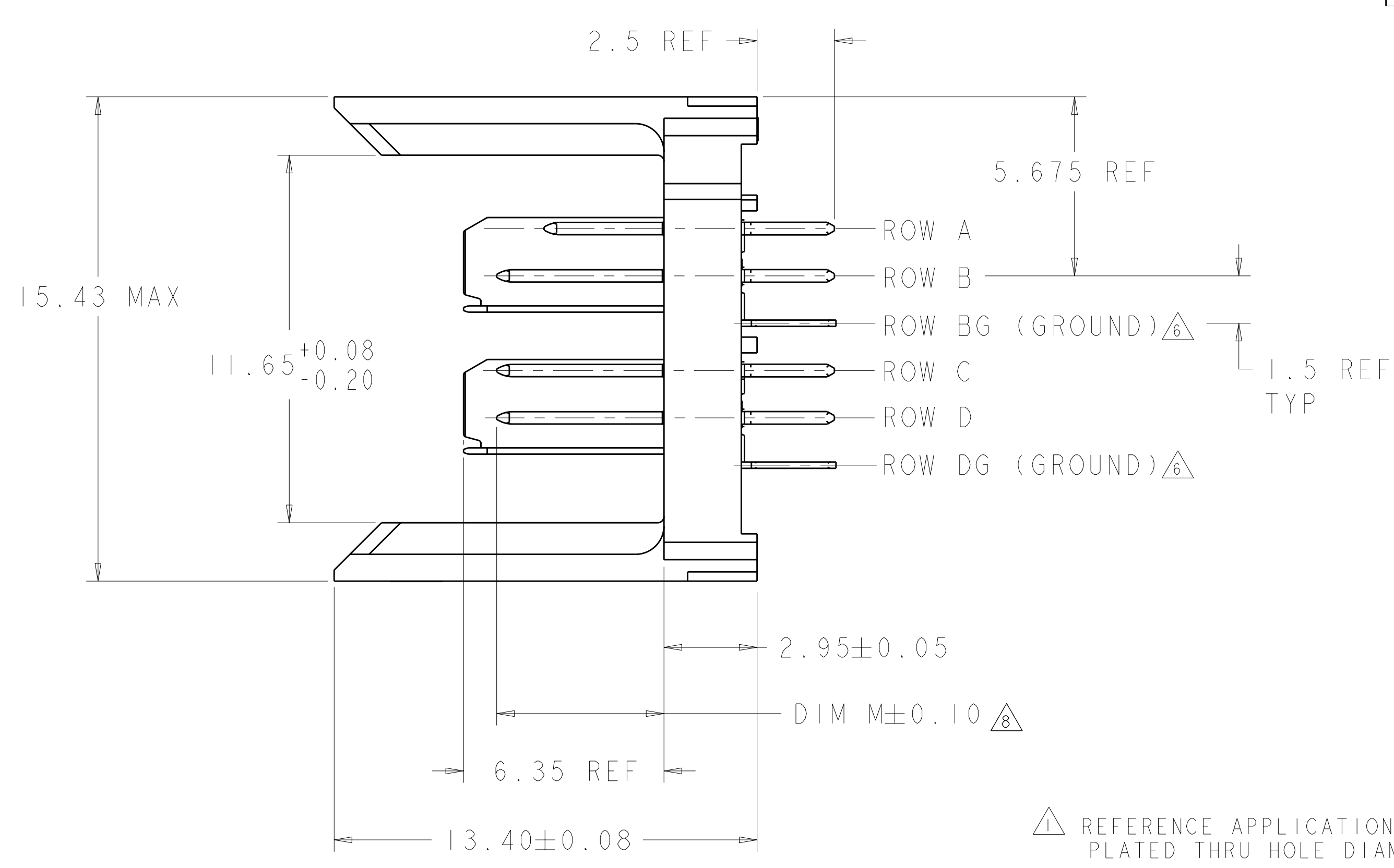
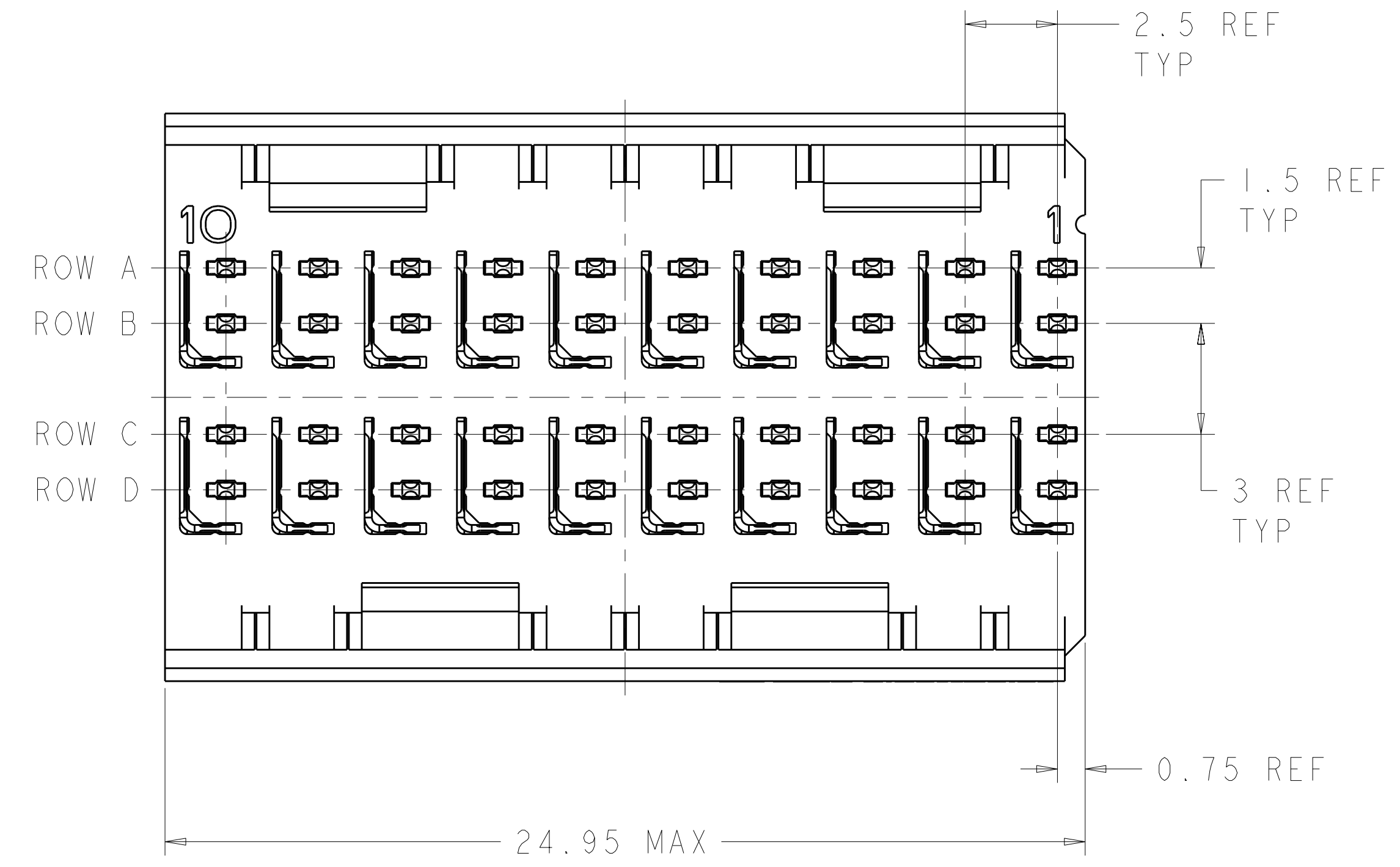
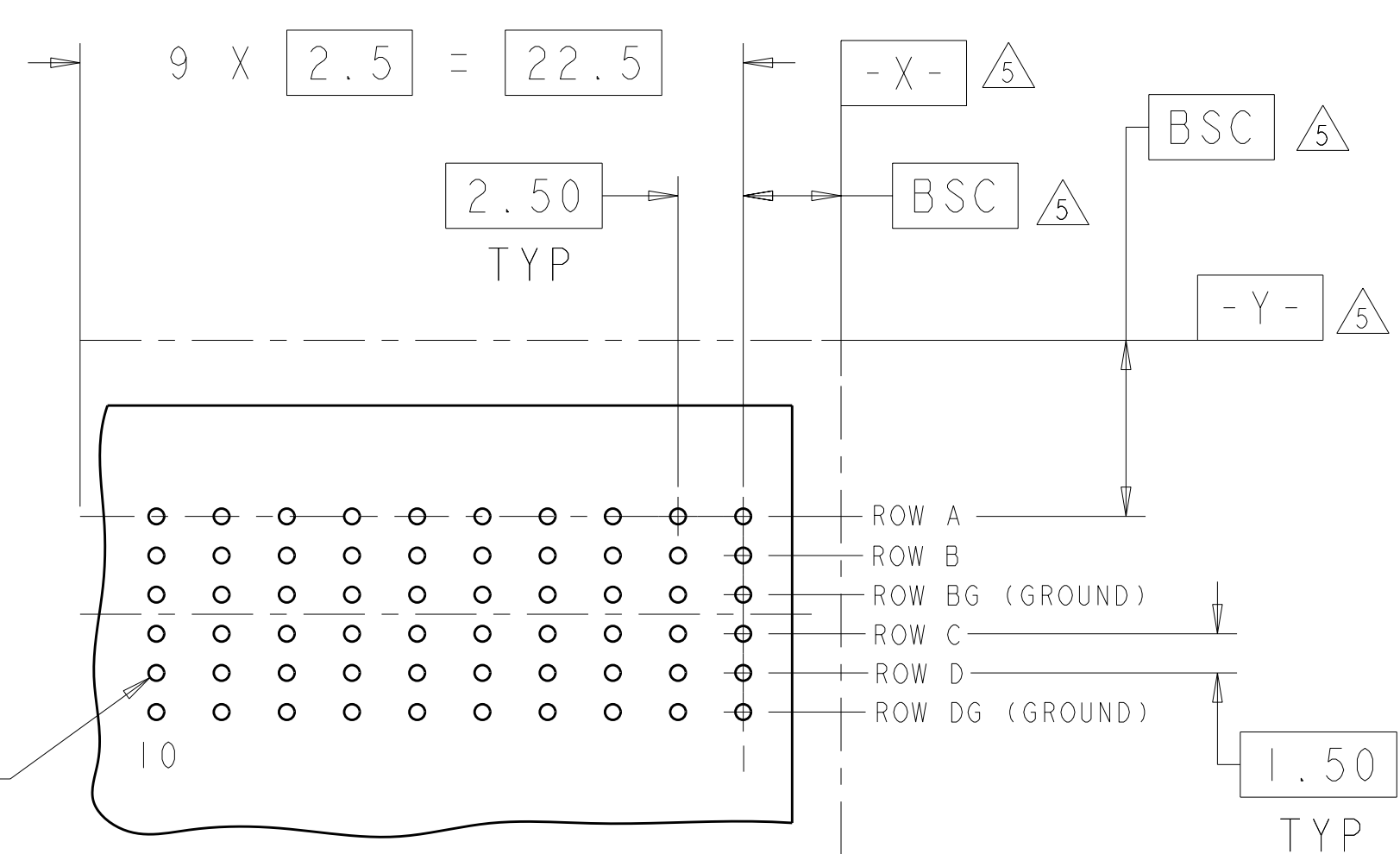


| LOC | DIST | REV | DATE | BY | CHK | APPD |
|-----|------|-----|---------|----|-----|------|
| AD | 00 | B | 17JAN12 | KH | DY | |



- △ REFERENCE APPLICATION SPEC 114-13059 FOR RECOMMENDED PLATED THRU HOLE DIAMETER AND PLATING THICKNESSES.
- △ MATERIAL:
CONTACT AND SHIELD - PHOSPHOR BRONZE
HOUSING - GLASS FILLED POLYESTER. UL 94V-0.
- △ FINISH: SIGNAL AND GROUND CONTACTS:
MATING AREA: MEETS THE PERFORMANCE REQUIREMENTS OF PRODUCT SPECIFICATION 108-2055; BASED ON TELCORDIA GR-1217-CORE, APPLICATIONS IN UNCONTROLLED ENVIRONMENTS
COMPLIANT PIN AREA: 0.5 μm MIN MATTE TIN OVER BASE PLATING
- △ CONNECTOR MARKED WITH PART NUMBER AND DATE CODE.
- △ DATUMS AND BASIC DIMENSIONS ESTABLISHED BY CUSTOMER.
- △ THE TWO GROUNDS IN EACH COLUMN ARE COMMONED.
- 7. CONTACT AREA LUBRICATED WITH BELLCORE APPROVED LUBRICANT. TECHNICAL REFERENCE: GR-1217-CORE, ISSUE 1, NOVEMBER 1995.
- △ REFER TO "CONTACT LAYOUT" CHART FOR SEQUENCING.



⊕ ∅0.05 X Y
 ALL PLATED THRU HOLES

RECOMMENDED PC BOARD LAYOUT, BACKPLANE, COMPONENT SIDE SHOWN
 SCALE 4:1

CONTACT LAYOUT
 A = 3.80mm (DIM M)
 B = 5.30mm (DIM M)
 G = GROUND

| | | COLUMNS | | | | | | | | | |
|------|----|---------|---|---|---|---|---|---|---|---|---|
| | | 10 | 9 | 8 | 7 | 6 | 5 | 4 | 3 | 2 | 1 |
| ROWS | A | B | B | B | B | B | B | B | B | B | A |
| | B | B | B | B | B | B | B | B | B | B | B |
| | BG | G | G | G | G | G | G | G | G | G | G |
| | C | B | B | B | B | B | B | B | B | B | B |
| | D | B | B | B | B | B | B | B | B | B | B |
| DG | G | G | G | G | G | G | G | G | G | G | |

1469734-1
 PART NUMBER

| | | | |
|--|--|-----------------------------|--|
| THIS DRAWING IS A CONTROLLED DOCUMENT. | | DWN S. J. MAGARO 29MAR2005 | TE Connectivity |
| DIMENSIONS: mm | | CHK R. PATTERSON 29MAR2005 | |
| TOLERANCES UNLESS OTHERWISE SPECIFIED: | | APPD R. PATTERSON 17AUG2007 | NAME HEADER ASSEMBLY, 2 PAIR, SELECTIVELY LOADED, 2.5mm TAIL, 25mm, HMzd |
| 9 PLC ± | | PRODUCT SPEC | SIZE CAGE CODE DRAWING NO. RESTRICTED TO |
| 3 PLC ± | | APPLICATION SPEC | A100779C-1469734 |
| 5 PLC ± | | WEIGHT | SCALE 8:1 SHEET 1 OF 1 REV B |
| 4 PLC ± | | CUSTOMER DRAWING | |
| ANGLES ± | | | |
| FINISH | | | |