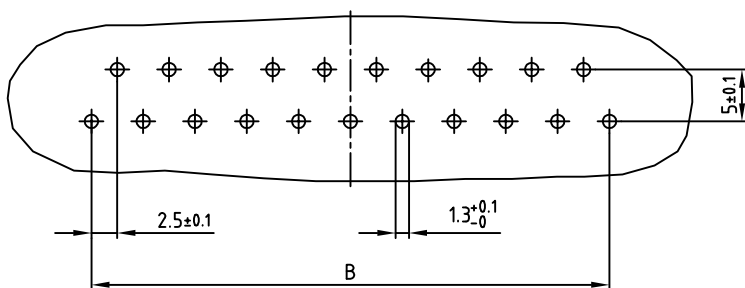
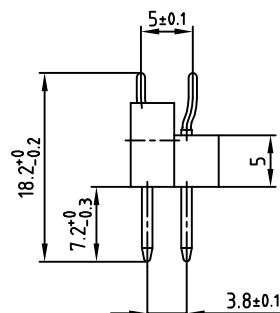
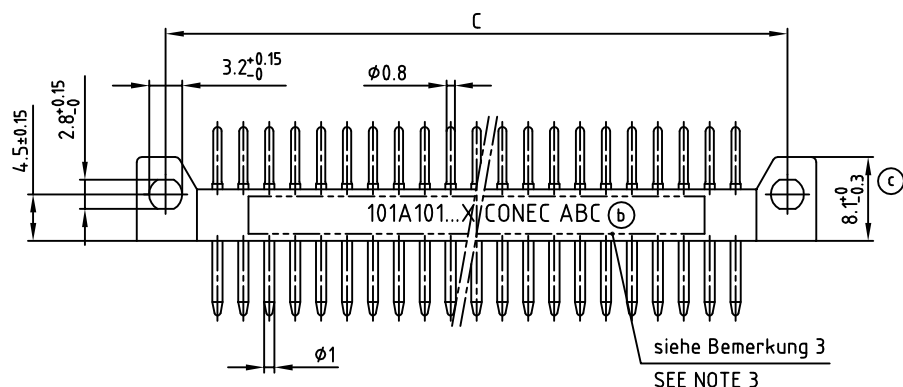
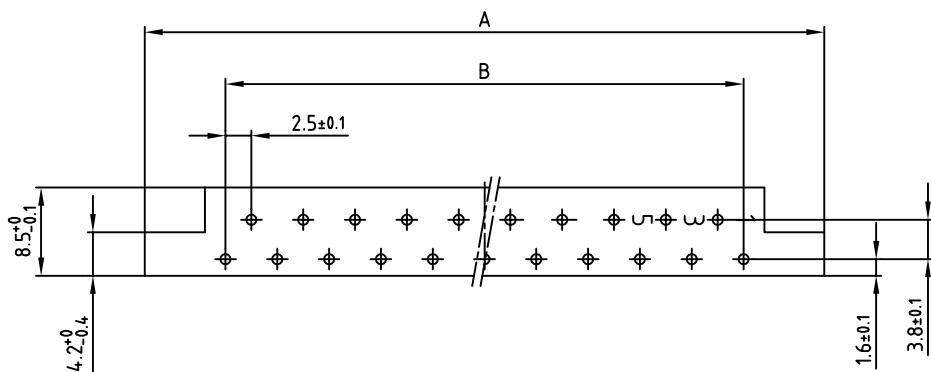


used for: DIN 41617

Polzahl No. of pos.	A ±0.2	B ±0.1	C ±0.1	Art.-Nr. Part-No.
13	45.6	12x2.5=30	40	101A10169X
21	65.6	20x2.5=50	60	101A10179X
31	90.6	30x2.5=75	85	101A10189X



Leiterplattenbohrbild  
P.C.B.-HOLE DRILLINGS

Bemerkung:

1. Isolierkörper: PC GF UL 94 V-1, grau (b)
2. Kontakte: Cu-Legierung  
Veredelung: Au über Ni
3. Bedruckung: [Art.-Nr. CONEC ABC]

NOTES:

1. INSULATOR: PC GF UL 94 V-1, GREY (b)
2. CONTACTS: COPPER ALLOY  
PLATING: GOLD FLASH over NICKEL
3. CONNECTOR IS PART MARKED: [PART-NO. CONEC ABC]

Directive 2002/95/EC RoHS compliant

THIS DRAWING MAY NOT BE COPIED OR REPRODUCED IN ANY WAY, AND MAY NOT BE PASSED ON TO A THIRD PARTY, WITHOUT WRITTEN PERMISSION. OWNERSHIP AND COPYRIGHT OF CONEC Gmbh DO NOT ALTER CAD DRAWING BY HAND

rev.	description	date	name
1 x c	Ä6688	15.03.2013	E.Mick. d-old
3 x b	Ä6154	08.11.2011	K.H.
a	Original		

tolerance		dim. in mm	
2002	date	name	
drawn	02.12.	Parei	
appd.	02.12.	Labus	
norm	DIN 41617		

scale:	2:1
material:	SEE NOTES
title:	MALE CONNECTOR 13-31pos. with straight solder pins
dwg no:	10K1A004
part no:	SEE TABLE
DIN-A	3
sh:	1/1

